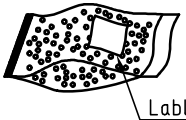
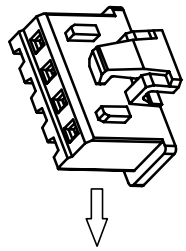
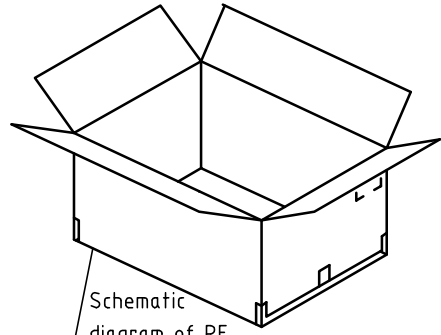


RoHS
COMPLIANT

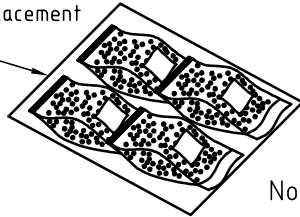
Step 1: Place Housing into PE bag and seal PE bag. Label.
将 Housing放入PE袋内, 并将PE袋封好, 贴上标签。



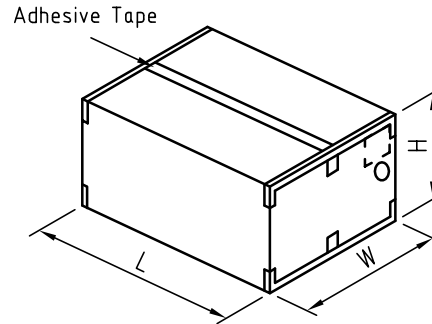
Step 2: Put PE bag packed products in cartons,
Packing detail see the table right
将装好产品的PE袋放入纸箱内, 详细包装见右表



Schematic diagram of PE bag placement



Step 3: Put PE bag packed products in cartons,
Packing detail see the table right
将装好产品的PE袋放入纸箱内, 详细包装见右表



Circuits	PCS/Bag
2	1000
3	1000
4	1000
5	1000
6	1000
7	1000
8	1000
9	1000
10	1000
11	1000
12	1000
13	1000
14	1000
15	1000
16	1000

Note注解:

1. There shall be no dirt such as deformation phenomenon, Mantissa box fillers must be used
每箱不可有脏污, 变形现象, 尾数箱必须用填充物
2. Confirm whether the inner and outer labels are missing and the content must be consistent with the actual product
确认内外标签有无漏失, 内容与实物必须一致
3. Packing quantity per carton depends on order and delivery quantity
每箱包装数量依订单及交货数量而定

	SPEC.	Remark
Carton 1	L460mm×W460mm×H510mm	Use the appropriate carton size according to the actual order quantity 根据实际订单数量使用合适的纸箱尺寸
Carton 2	L500mm×W500mm×H305mm	
Carton 3	L580mm×W580mm×H320mm	



MARK

1

2

3

4

5

6

7

8

9

TOLERANCE
X. X ±0.30
X. XX ±0.20
X. XXX ±0.10
Angle ±2°

TITLE:
XH2.5 Housing Have Buckle Packing

UNIT: mm SCALE: N/A

DRAWN: Arvin 2020.03.05

CHECKED:

APPROVED:

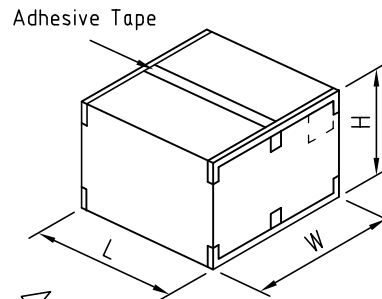
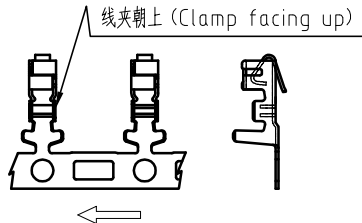
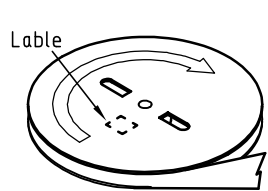
SHEET: 1/1 PROJECTION

KONNRA 东莞市康瑞电子有限公司
DongGuan Konnra Electronics Co., Ltd.

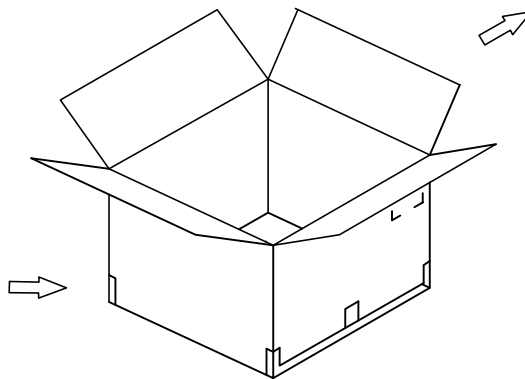
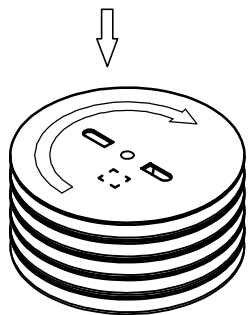
PART NO.: H250201**0101C

REV.: A1 DRAWING NO.: 2502H101-C-P

RoHS
COMPLIANT



Package way



Note注解:

- There shall be no dirt such as deformation phenomenon, Mantissa box fillers must be used
每箱不可有脏污，变形现象，尾数箱必须用填充物
- Confirm whether the inner and outer labels are missing and the content must be consistent with the actual product
确认内外标签有无漏失，内容与实物必须一致
- Quantity(数量): 9K PCS/REEL (9K PCS/盘)
Packing quantity per carton depends on order and delivery quantity
每箱包装数量依订单及交货数量而定

	SPEC.	Remark
Carton 1	L460mm×W460mm×H510mm	Use the appropriate carton size according to the actual order quantity 根据实际订单数量使用合适的纸箱尺寸
Carton 2	L500mm×W500mm×H305mm	
Carton 3	L580mm×W580mm×H320mm	



MARK

1

2

3

4

5

6

7

8

9

TOLERANCE

X. X ±0.30

X. XX ±0.20

X. XXX ±0.10

Angle ±2°

TITLE:
XH2.5 Terminal
Packaging

UNIT: mm

SCALE: N/A

DRAWN: Arvin 2020.03.05

CHECKED:

APPROVED:

SHEET: 1/1

PROJECTION

KONNRA 东莞市康瑞电子有限公司
DongGuan Konnra Electronics Co., Ltd.

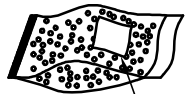
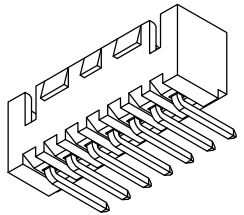
PART NO. : T25010PT0101F

REV. : A1

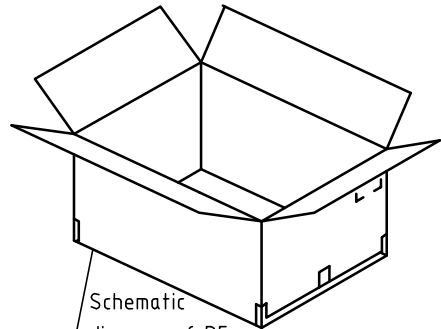
DRAWING NO. : 2501T101-F-P

RoHS
COMPLIANT

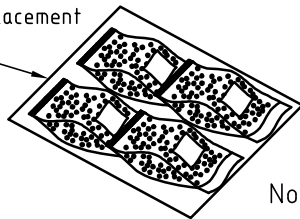
Step 1: Place Housing into PE bag and seal PE bag. Label.
将 Housing放入PE袋内，并将PE袋封好，贴上标签。



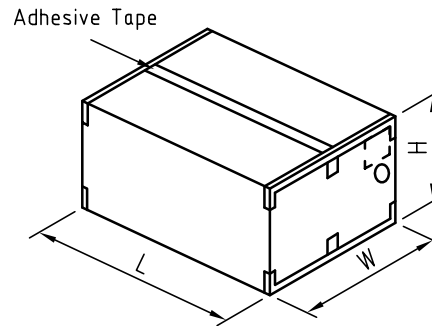
Step 2: Put PE bag packed products in cartons,
Packing detail see the table right
将装好产品的PE袋放入纸箱内，详细包装见右表



Schematic diagram of PE bag placement



Step 3: Put PE bag packed products in cartons,
Packing detail see the table right
将装好产品的PE袋放入纸箱内，详细包装见右表



Circuits	PCS/Bag
2	2000
3	2000
4	2000
5	2000
6	1000
7	1000
8	1000
9	1000
10	1000
11	1000
12	500
13	500
14	500
15	500
16	500

Note注解:

1. There shall be no dirt such as deformation phenomenon, Mantissa box fillers must be used
每箱不可有脏污，变形现象，尾数箱必须用填充物
2. Confirm whether the inner and outer labels are missing and the content must be consistent with the actual product
确认内外标签有无漏失，内容与实物必须一致
3. Packing quantity per carton depends on order and delivery quantity
每箱包装数量依订单及交货数量而定

	SPEC.	Remark
Carton 1	L460mm×W460mm×H510mm	Use the appropriate carton size according to the actual order quantity 根据实际订单数量使用合适的纸箱尺寸
Carton 2	L500mm×W500mm×H305mm	
Carton 3	L580mm×W580mm×H320mm	



MARK

1

2

3

4

5

6

7

8

9

TOLERANCE
X.X ±0.30
X.XX ±0.20
X.XXX ±0.10
Angle ±2°

TITLE:
XH2.5 DIP 90° Wafer
Have Buckle Packing

DRAWN: Arvin 2020.03.05

CHECKED:

APPROVED:

UNIT: mm

SCALE: N/A

SHEET: 1/1

PROJECTION

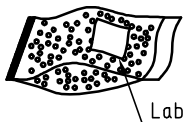
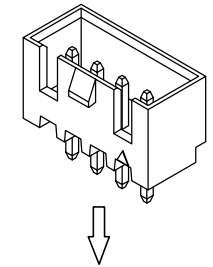
KONNRA 东莞市康瑞电子有限公司
DongGuan Konnra Electronics Co., Ltd.

PART NO.: C2502RD1****T0101PB

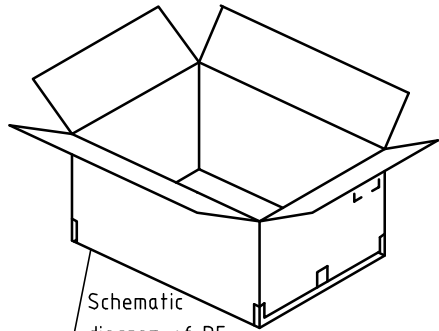
REV.: A1 DRAWING NO.: 2502WRD101-B-P

RoHS
COMPLIANT

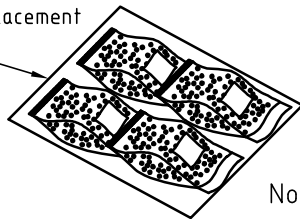
Step 1: Place Housing into PE bag and seal PE bag. Label.
将 Housing放入PE袋内, 并将PE袋封好, 贴上标签。



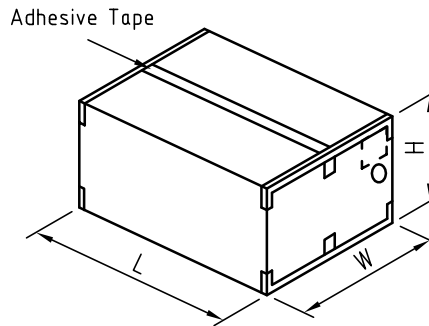
Step 2: Put PE bag packed products in cartons,
Packing detail see the table right
将装好产品的PE袋放入纸箱内, 详细包装见右表



Schematic diagram of PE bag placement



Step 3: Put PE bag packed products in cartons,
Packing detail see the table right
将装好产品的PE袋放入纸箱内, 详细包装见右表



Circuits	PCS/Bag
2	2000
3	2000
4	2000
5	2000
6	1000
7	1000
8	1000
9	1000
10	1000
11	1000
12	1000
13	500
14	500
15	500
16	500

Note注解:

1. There shall be no dirt such as deformation phenomenon, Mantissa box fillers must be used
每箱不可有脏污, 变形现象, 尾数箱必须用填充物
2. Confirm whether the inner and outer labels are missing and the content must be consistent with the actual product
确认内外标签有无漏失, 内容与实物必须一致
3. Packing quantity per carton depends on order and delivery quantity
每箱包装数量依订单及交货数量而定

	SPEC.	Remark
Carton 1	L460mm×W460mm×H510mm	Use the appropriate carton size according to the actual order quantity 根据实际订单数量使用合适的纸箱尺寸
Carton 2	L500mm×W500mm×H305mm	
Carton 3	L580mm×W580mm×H320mm	



MARK

1 2 3 4 5 6 7 8 9

TOLERANCE
X. X ±0.30
X. XX ±0.20
X. XXX ±0.10
Angle ±2°

TITLE:
XH2.5 DIP 180°
Wafer Have Buckle
Packing

UNIT: mm SCALE: N/A

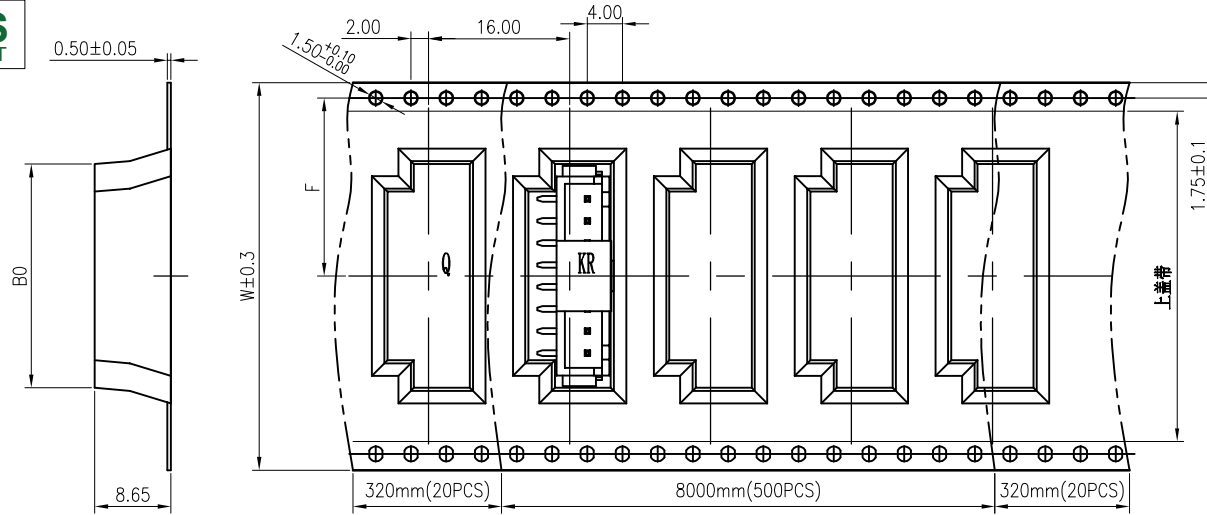
DRAWN: Arvin 2020.03.05
CHECKED:
APPROVED:

SHEET: 1/1 PROJECTION

KONNRA 东莞市康瑞电子有限公司
DongGuan Konnra Electronics Co., Ltd.
PART NO.: C2502VD1****T0101PB

REV.: A1 DRAWING NO.: 2502WDD101-B-P

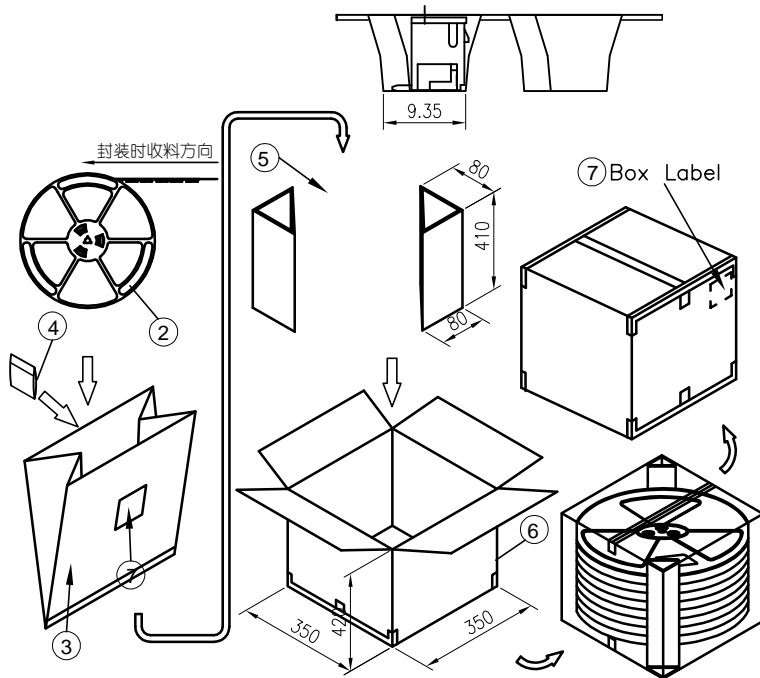
RoHS
COMPLIANT



NOTES:

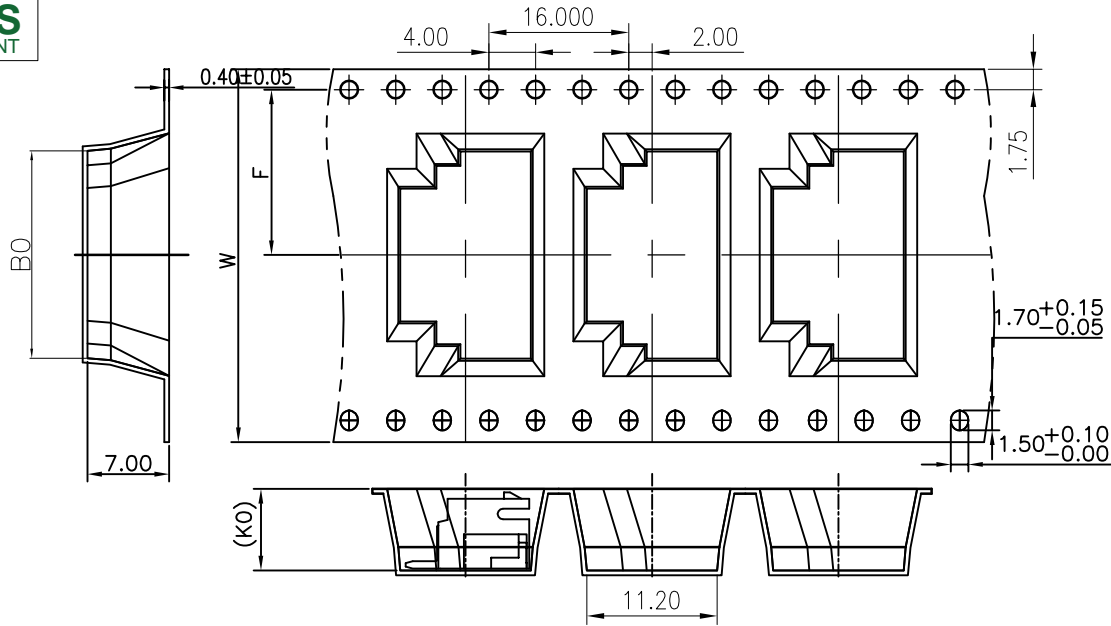
1. ALL DIMENSIONS MEET EIA-481-D REQUIREMENTS.
2. MATERIAL: WHITE PS
3. CARRIER CAMEL NOT TO EXCEED 1mm IN 250mm.
4. A0 AND B0 MEASURED ON A PLANE 0.3mm ABOVE THE BOTTOM OF THE POCKET.
5. K0 MEASURED FROM A PLANE ON THE INSIDE BOTTOM OF THE POCKET TO THE TOP SURFACE OF THE CARRIER.
6. Q'ty/Reel: 500PCS. (LENGTH: 6.48m) 68 模
7. THICKNESS: 0.4± 0.05mm.
8. REEL: 13" 胶盘

CTK.	W±0.3	F±0.3	B0±0.3	Q'ty/BOX
2P~3P	24	11.5	10.40~12.90	14*500
4P~5P	32	14.2	15.40~17.90	11*500
6P~10P	44	20.2	20.40~30.40	8*500
16P	72	32.2	45.40	5*500



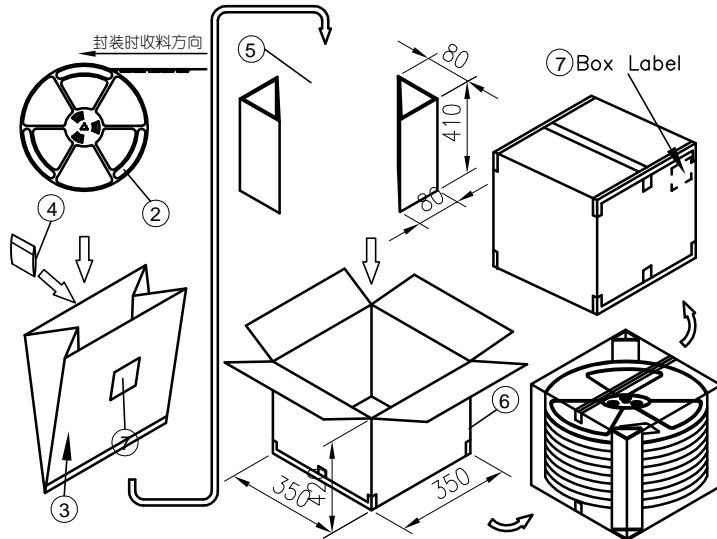
MARK	REVISION DESCRIPTION	SIGNATURE	DATE	TOLERANCE	TITLE:	DRAWN:	KONNRA 东莞市康瑞电子有限公司 DongGuan Konnra Electronics Co., Ltd.		
A4				X. X ±0.30	XH2.5 Have Buckle SMT 180° WF Packing	Arvin 2020.05.30	PART NO. : C2502VS1**11M01**RA		
A3			X. XX ±0.20	CHECKED:					
A2			X. XXX ±0.10	APPROVED:					
			Angle ±2°	UNIT: mm	SCALE: N/A	SHEET: 1/1	PROJECTION	REV. : A1	DRAWING NO. : 2502WS101-A-P

RoHS
COMPLIANT



- NOTES:
- 1.ALL DIMENSIONS MEET EIA-481-D REQUIREMENTS.
 - 2.MATERIAL: BLACK PS
 - 3.CARRIER CAMER NOT TO EXCEED 1mm IN 250mm.
 - 4.A0 AND B0 MEASURED ON A PLANE 0.3mm ABOVE THE BOTTOM OF THE POCKET.
 - 5.K0 MEASURED FROM A PLANE ON THE INSIDE BOTTOM OF THE POCKET TO THE TOP SURFACE OF THE CARRIER.
 - 6.Q'ty/Reel:500PCS. (LENGTH:8.6m) 90模
 - 7.THICKNESS:0.4± 0.05mm.
 - 8.REEL:13" 胶盘

CTK.	W±0.3	F±0.3	B0±0.3	Q'ty/BOX
2P~3P	24	11.5	10.40~12.90	14*500
4P~5P	32	14.2	15.40~17.90	11*500
6P~10P	44	20.2	20.40~30.40	8*500
16P	72	32.2	45.40	5*500



F	△4				TOLERANCE	TITLE:	DRAWN: Arvin 2020.05.30	KONNRA 东莞市康瑞电子有限公司		
	△3				X.X ±0.30	XH2.5 Have Buckle	CHECKED:	DongGuan Konnra Electronics Co., Ltd.		
	△2				X.XX ±0.20	SMT 90 WF Packing	APPROVED:	PART NO. : C2502RS1**11MD1**RA		
	MARK	REVISION DESCRIPTION	SIGNATURE	DATE	X.XXX ±0.10	UNIT: mm	SCALE: N/A	SHEET: 1/1	PROJECTION	REV. : A1
	1	2	3	4	Angle ±2°					