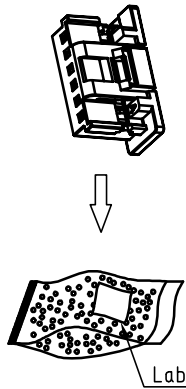
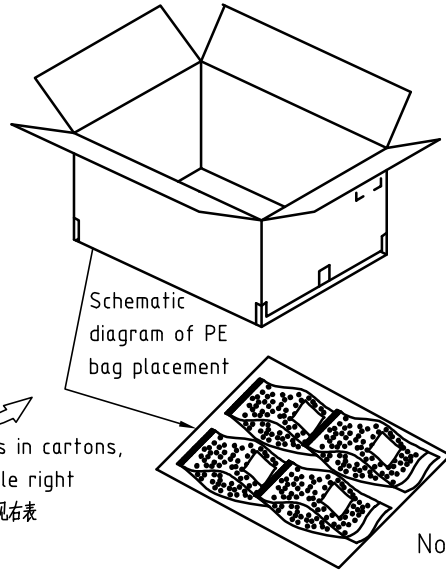


**RoHS**  
COMPLIANT

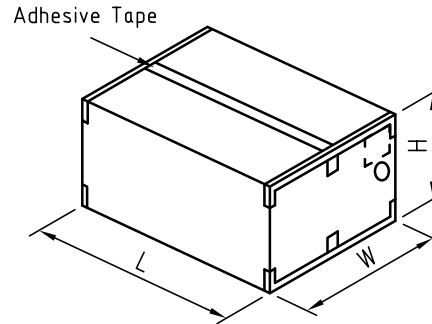
Step 1: Place Housing into PE bag and seal PE bag. Label.  
将 Housing放入PE袋内, 并将PE袋封好, 贴上标签。



Step 2: Put PE bag packed products in cartons,  
Packing detail see the table right  
将装好产品的PE袋放入纸箱内, 详细包装见右表



Step 3: Put PE bag packed products in cartons,  
Packing detail see the table right  
将装好产品的PE袋放入纸箱内, 详细包装见右表

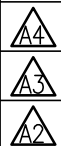


Circuits	PCS/Bag
2	1000
3	1000
4	1000
5	1000
6	1000
7	1000
8	1000
9	1000
10	1000
11	1000
12	1000

Note注解:

1. There shall be no dirt such as deformation phenomenon, Mantissa box fillers must be used  
每箱不可有脏污, 变形现象, 尾数箱必须用填充物
2. Confirm whether the inner and outer labels are missing and the content must be consistent with the actual product  
确认内外标签有无漏失, 内容与实物必须一致
3. Packing quantity per carton depends on order and delivery quantity  
每箱包装数量依订单及交货数量而定

	SPEC.	Remark
Carton 1	L460mm×W460mm×H510mm	Use the appropriate carton size according to the actual order quantity 根据实际订单数量使用合适的纸箱尺寸
Carton 2	L500mm×W500mm×H305mm	
Carton 3	L580mm×W580mm×H320mm	



MARK

1                      2                      3                      4                      5                      6                      7                      8                      9

TOLERANCE  
X. X    ±0.30  
X. XX   ±0.20  
X. XXX ±0.10  
Angle ±2°

TITLE:  
MX2.0 Inner buckle  
Housing Packing  
UNIT: mm SCALE: N/A

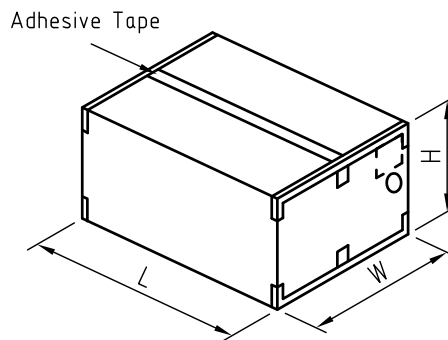
DRAWN: Arvin 2020.03.05  
CHECKED:  
APPROVED:  
SHEET: 1/1 PROJECTION

**KONNRA** 东莞市康瑞电子有限公司  
DongGuan Konnra Electronics Co., Ltd.  
PART NO.: H201701xx2401A  
REV.: A1 DRAWING NO.: 2017H101-A-P

**RoHS**  
COMPLIANT

Step 1: Place Housing into PE bag and seal PE bag. Label.  
将 Housing放入PE袋内, 并将PE袋封好, 贴上标签.

Step 3: Put PE bag packed products in cartons,  
Packing detail see the table right  
将装好产品的PE袋放入纸箱内, 详细包装见右表



Step 2: Put PE bag packed products in cartons,  
Packing detail see the table right  
将装好产品的PE袋放入纸箱内, 详细包装见右表

Circuits	PCS/Bag
2	2000
3	2000
4	2000
5	2000
6	2000
7	2000
8	2000
9	2000
10	2000
11	2000
12	2000
13	2000
14	2000

Note注解:

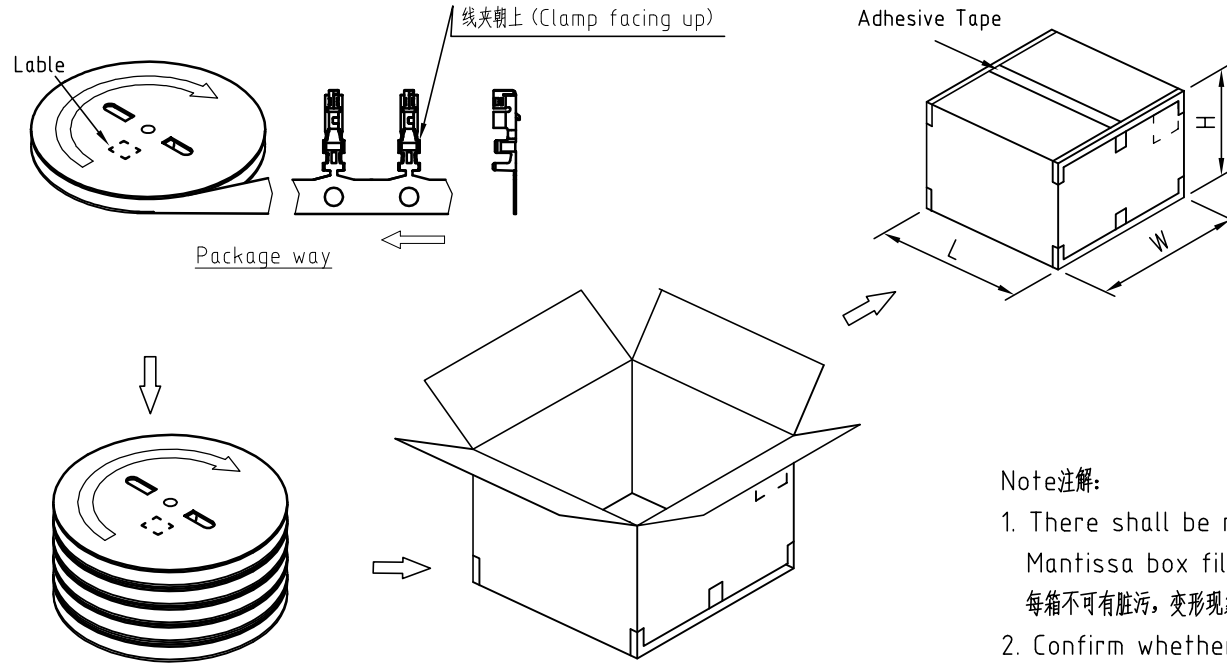
1. There shall be no dirt such as deformation phenomenon, Mantissa box fillers must be used  
每箱不可有脏污, 变形现象, 尾数箱必须用填充物
2. Confirm whether the inner and outer labels are missing and the content must be consistent with the actual product  
确认内外标签有无漏失, 内容与实物必须一致
3. Packing quantity per carton depends on order and delivery quantity  
每箱包装数量依订单及交货数量而定

	SPEC.	Remark
Carton 1	L460mm×W460mm×H510mm	Use the appropriate carton size according to the actual order quantity 根据实际订单数量使用合适的纸箱尺寸
Carton 2	L500mm×W500mm×H305mm	
Carton 3	L580mm×W580mm×H320mm	

				TOLERANCE	TITLE:		DRAWN: <i>Arwin 2020.03.05</i>		KONNRA 东莞市康瑞电子有限公司 DongGuan Konnra Electronics Co.,Ltd.			
				X.X ±0.30	MX2.0 Inner buckle		CHECKED:					
				X.XX ±0.20	LOCK Packing		APPROVED:		PART NO.: H201701xx0511A			
				X.XXX ±0.10			SHEET: 1/1		PROJECTION		REV.: A2	
				Angle ±2°			UNIT:mm		SCALE:N/A		DRAWING NO.: 2017H111-A-P	
MARK	REVISION DESCRIPTION	SIGNATURE	DATE									

1 2 3 4 5 6 7 8 9

RoHS  
COMPLIANT



Note注解:

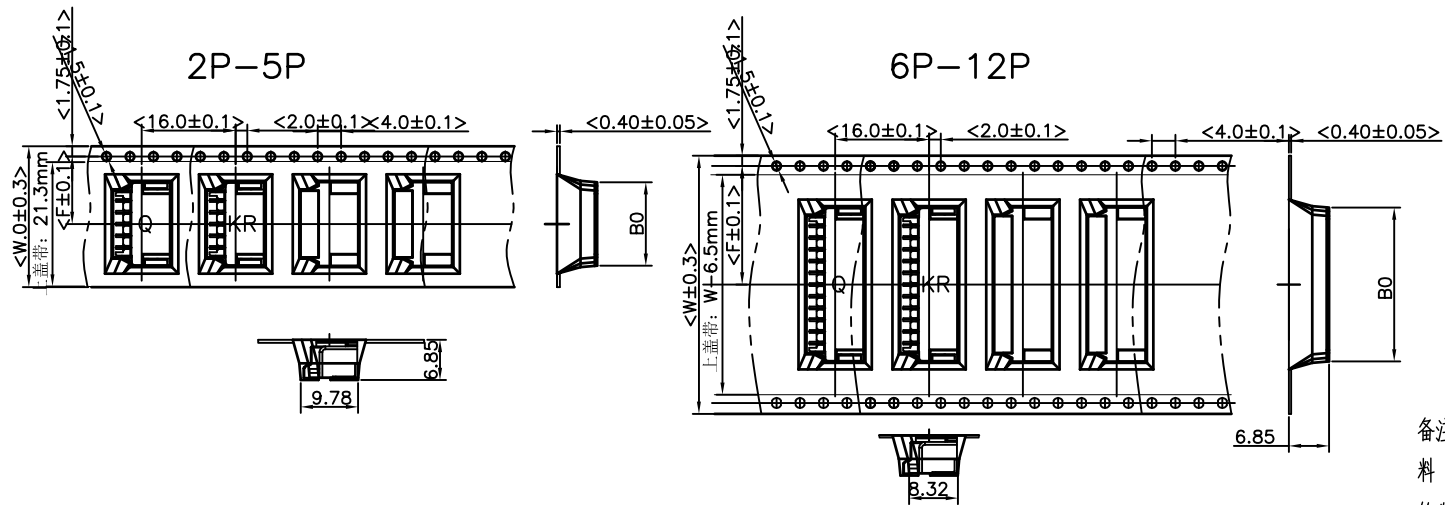
1. There shall be no dirt such as deformation phenomenon, Mantissa box fillers must be used  
每箱不可有脏污，变形现象，尾数箱必须用填充物
2. Confirm whether the inner and outer labels are missing and the content must be consistent with the actual product  
确认内外标签有无漏失，内容与实物必须一致
3. Quantity(数量): 10K PCS/REEL (10K PCS/盘)  
Packing quantity per carton depends on order and delivery quantity  
每箱包装数量依订单及交货数量而定

	SPEC.	Remark
Carton 1	L460mm×W460mm×H510mm	Use the appropriate carton size according to the actual order quantity 根据实际订单数量使用合适的纸箱尺寸
Carton 2	L500mm×W500mm×H305mm	
Carton 3	L580mm×W580mm×H320mm	

F	△4				TOLERANCE X.X ±0.30 X.XX ±0.20 X.XXX ±0.10 Angle ±2°	TITLE: MK2.0 Inner buckle Terminal Packing	DRAWN: Arvin 2020.03.05		KONNRA 东莞市康瑞电子有限公司 DongGuan Konnra Electronics Co., Ltd.		
	△3						CHECKED:				
	△2						APPROVED:		PART NO.: T2017OPT0101A		
MARK	REVISION DESCRIPTION	SIGNATURE	DATE	UNIT: mm	SCALE: N/A	SHEET: 1/1	PROJECTION	REV.: A1	DRAWING NO.: 2017T101-A-P		

1 2 3 4 5 6 7 8 9

RoHS  
COMPLIANT



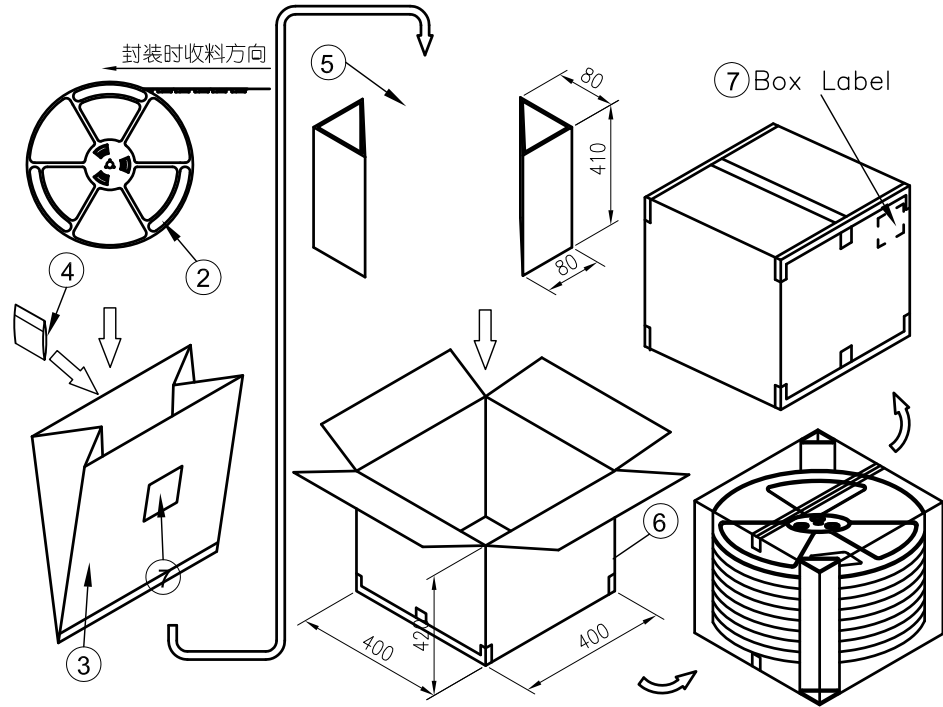
备注:

料 厚:透明PS 0.40±0.05

轮盘规格:15`×WMM塑胶轮盘

载带规格:WMM×13.44M,配带宽××MM冷封盖带

包装数:800PCS/卷



NO.	NAME	SPEC.	Q'TY
①	PRODUCT	MX2.0内扣 SMT 90°WF系列	参照下表(特殊除外)
②	卷盘/载带	--	1SET
③	透明真空袋	550×500×0.10mm	1PCS/Reel
④	干燥剂	--	1PCS/Reel
⑤	三角纸板	410×80×80mm	2PCS
⑥	纸箱	400×400×420mm	1PCS
⑦	标签	--	2PCS

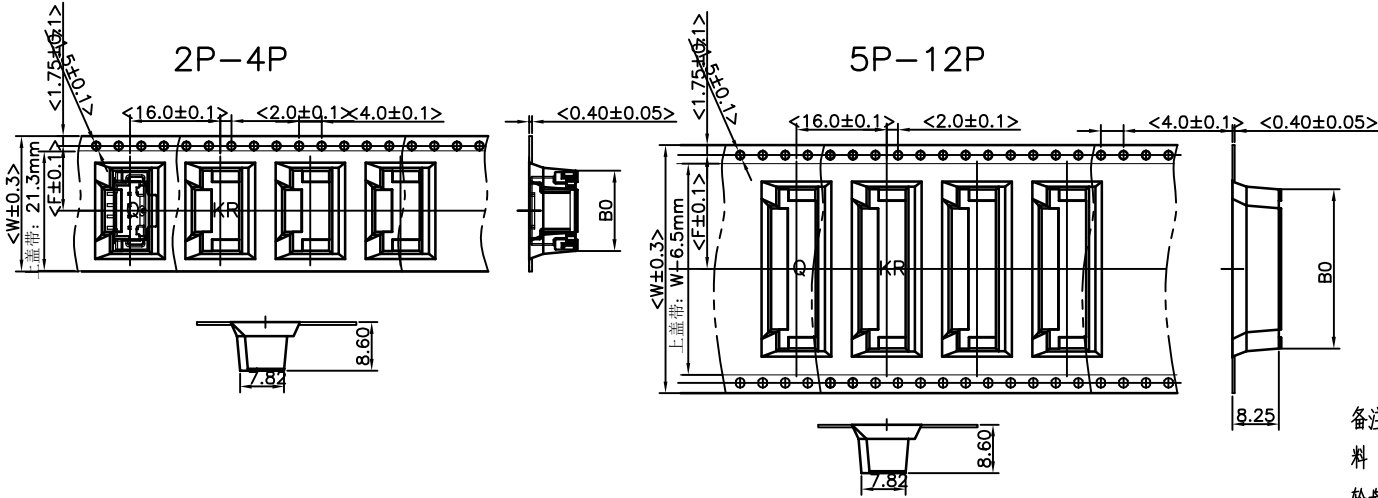
Pin数	W±0.3	F±0.2	B0±0.2	Q'ty/BOX
2P~5P	24	11.5	8.25~14.25	14*800
6P~7P	32	14.2	16.25~18.25	11*800
8P~12P	44	20.2	20.25~30.25	8*800

F	△4				TOLERANCE X.X ±0.30 X.XX ±0.20 X.XXX ±0.10 Angle ±2°	TITLE: C2017-RS 系列 卷装包装规范	DRAWN: <i>Arwin 2021.03.05</i>	KONNRA 东莞市康瑞电子有限公司 DongGuan Konnra Electronics Co.,Ltd.			
	△3										CHECKED:
	△2										APPROVED:
MARK	REVISION DESCRIPTION	SIGNATURE	DATE	UNIT:mm	SCALE:N/A	SHEET:1/1	PROJECTION	REV.:A1	DRAWING NO.:2017WRS101-A-P		
1	2	3	4	5	6	7	8	9			

RoHS  
COMPLIANT

2P-4P

5P-12P



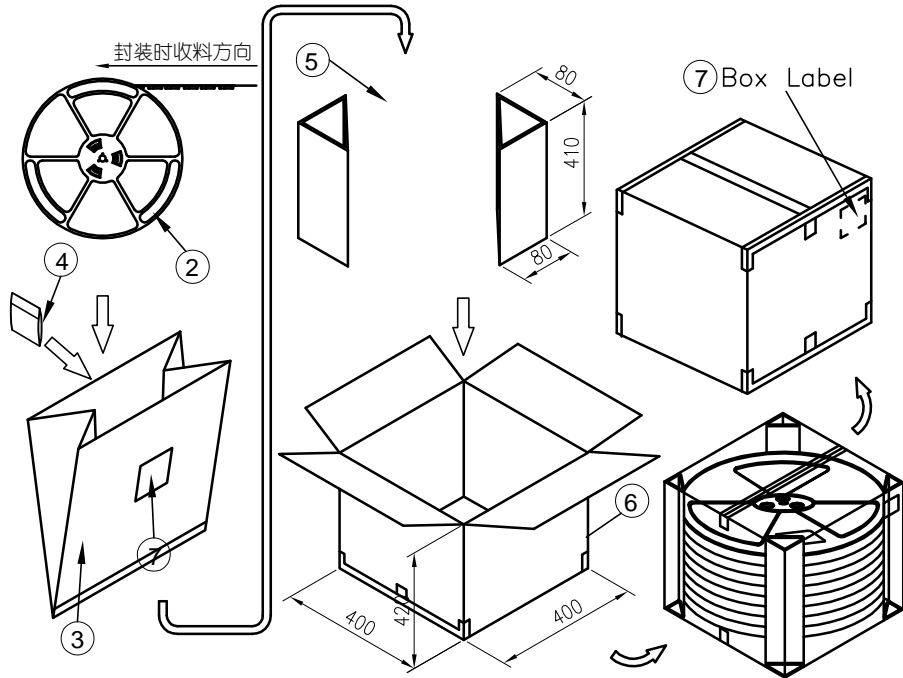
备注:

料 厚:透明PS 0.40±0.05

轮盘规格:15`×WMM塑胶轮盘

载带规格:WMM×11.7M,配带宽××MM冷封盖带

包装数:700PCS/卷



Pin数	W±0.3	F±0.2	B0±0.2	Q'ty/BOX
2P~4P	24	11.5	10.25~14.25	14*700
5P~6P	32	14.2	16.25~18.25	11*700
7P~12P	44	20.2	20.25~32.25	8*700



MARK

REVISION	DESCRIPTION	SIGNATURE	DATE
1	更改7P载带宽度及每箱包装数量	Arvin	2021.07.05

TOLERANCE  
X.X ±0.30  
X.XX ±0.20  
X.XXX ±0.10  
Angle ±2°

TITLE:  
C2017-VS 系列  
卷装包装规范

UNIT: mm SCALE: N/A

DRAWN: Arvin 2021.03.05

CHECKED:

APPROVED:

SHEET: 1/1

PROJECTION

KONNRA 东莞市康瑞电子有限公司  
DongGuan Konnra Electronics Co., Ltd.

PART NO.: C2017VS1\*\*11M1010A

REV.: A2 DRAWING NO.: 2017WS101-A-P