

RoHS
COMPLIANT

◆SPECIFICATIONS

Current rating: Power Pin 25A (AC, DC)
Singal Pin 2A (AC, DC)

Voltage rating: 48V AC,DC

Temperature range: -25°C ~ +80°C

Insulation resistance: 100MΩ Min.

Withstanding voltage: 700V AC/ minute.

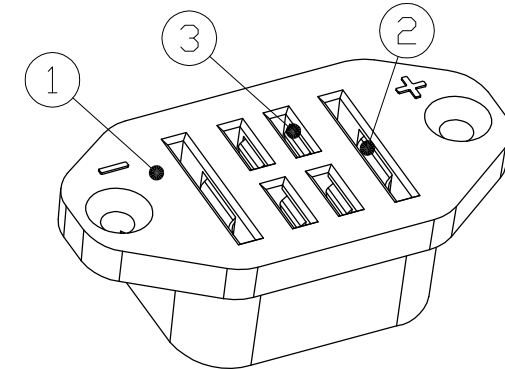
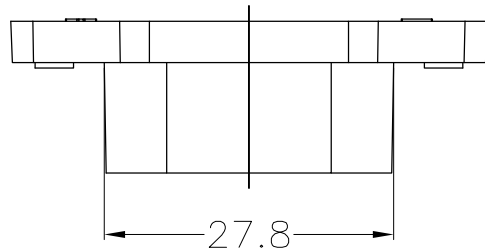
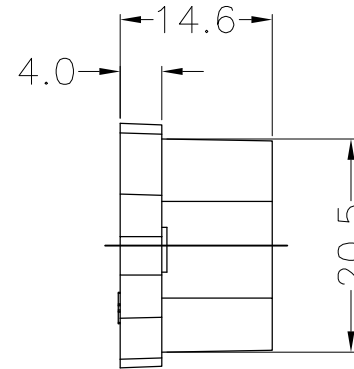
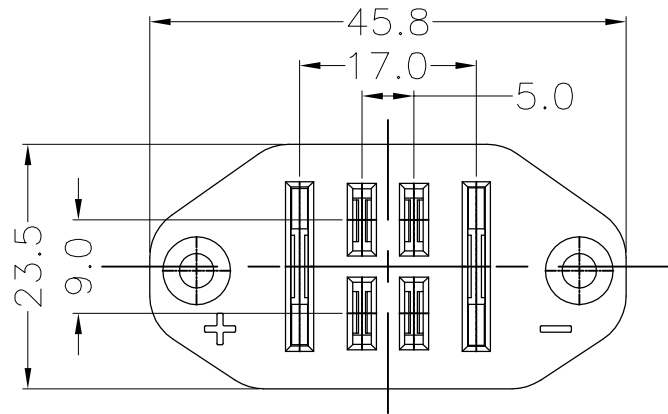
Contact resistance: 10m Ω Max.

Material:

Insulator: PBT UL 94V-0

Contact: Brass

Plating: Plated over Nickel



3	Singal Pin	4	C5191 T=0.3
2	Power Pin	2	C7025 T=0.4
1	Base	1	PBT
ITEM	PART NAME	Quantity	Materials

MARK	REVISION DESCRIPTION	SIGNATURE	DATE	TOLERANCE	TITLE:	DRAWN:	CHECKED:	APPROVED:	REV.:	DRAWING NO.:
1	2	3	4	X.X ±0.20 X.XX ±0.10 X.XXX ±0.05 Angle ±2°	EBK PLUG	ZZN 2021.08.08			A1	QK001001-C-S

KONNRA 东莞市康瑞电子有限公司
DongGuan Konnra Electronics Co.,Ltd.

PART NO.: QK001001

REV.: A1 DRAWING NO.: QK001001-C-S

UNIT: mm SCALE: 1/1 SHEET: 1/1 PROJECTION