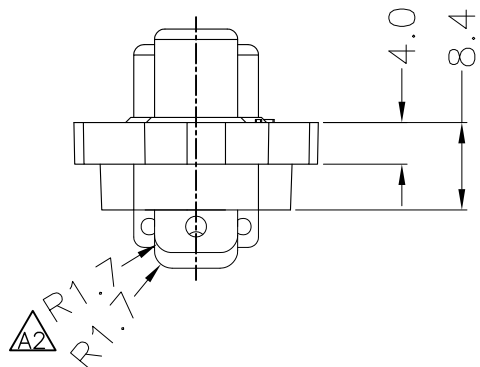
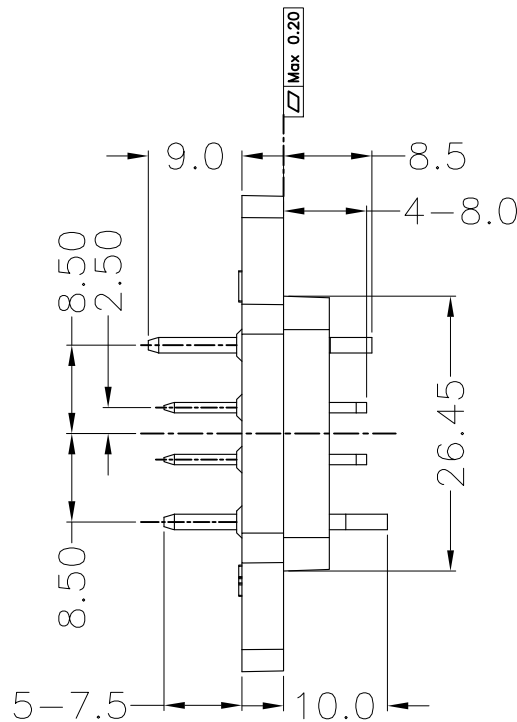
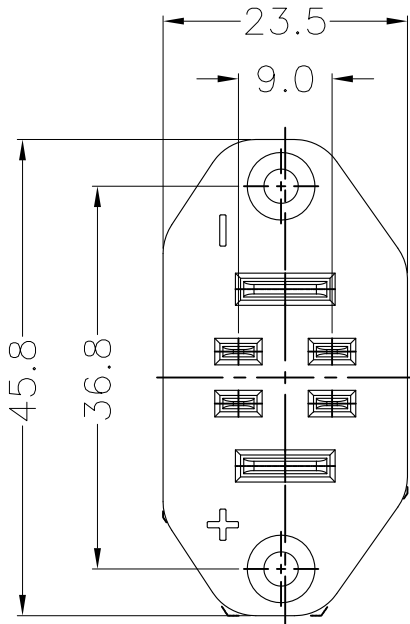
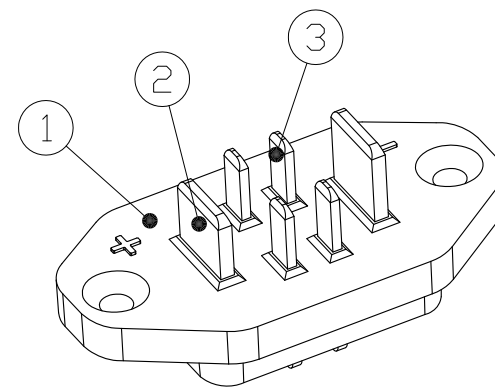


RoHS
COMPLIANT



◆SPECIFICATIONS
 Current rating: Power Pin 25A (AC, DC)
 Singal Pin 2A (AC, DC)
 Voltage rating: 48V AC,DC
 Temperature range: -25°C ~ +80°C
 Insulation resistance: 100MΩ Min.
 Withstanding voltage: 700V AC/ minute.
 Contact resistance: 10mΩ Max.
 Material:
 Insulator: PBT UL 94V-0
 Contact: Brass
 Plating: Plated over Nickel



3	Singal Pin	4	C2680 T=1.0
2	Power Pin	2	C2680 T=1.5
1	Base	1	PBT
ITEM	PART NAME	Quantity	Materials

MARK	REVISION DESCRIPTION	SIGNATURE	DATE	TOLERANCE	TITLE:	DRAWN:	CHECKED:	APPROVED:	REV.:A2	DRAWING NO.:
A2	change the structure	ZSZ	2023.04.13	X.X ±0.20	EBK PLUG	ZZN 2021.08.08				KONNRA 东莞市康瑞电子有限公司 DongGuan Konnra Electronics Co.,Ltd. PART NO.:QK001006 DRAWING NO.:QK001006-C-S
A1	New Drawings	ZZN	2022.08.08	X.XX ±0.10						
				X.XXX ±0.05		UNIT:mm	SCALE:1/1	SHEET:1/1	PROJECTION	
				Angle ±2°						