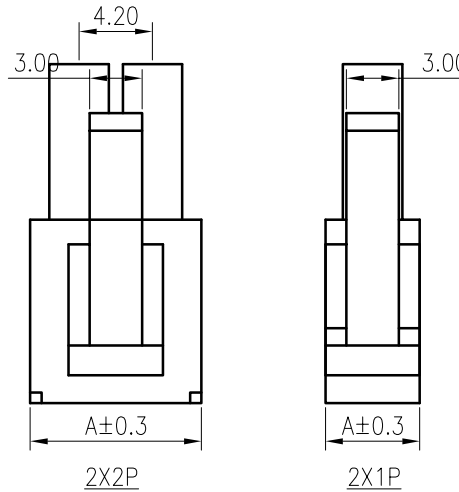
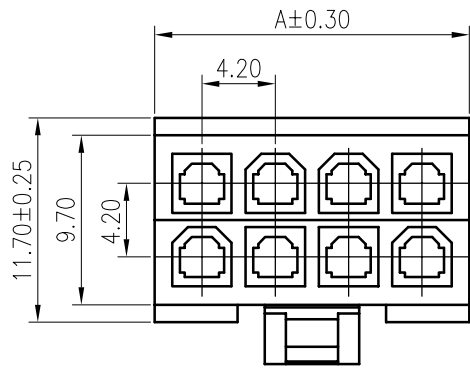


**RoHS**  
COMPLIANT



**SPECIFICATIONS**

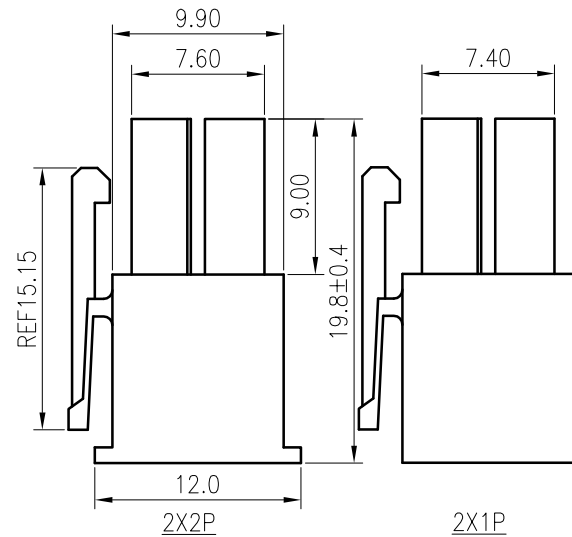
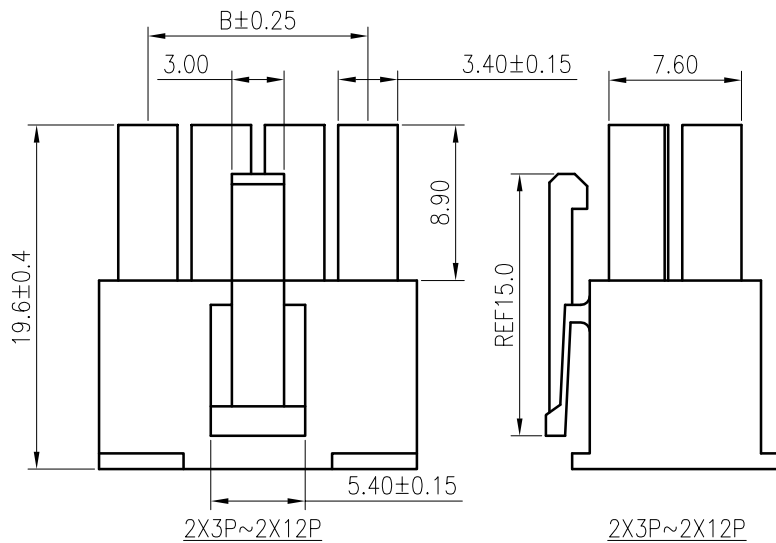
1. Current rating: 9A(2P AWG#16) AC, DC
2. Voltage rating:600V AC,DC
3. Temperature range: -40°C ~ +105°C
4. Insulation resistance: 1000MΩ/ min.
5. Withstanding voltage: 1500V AC/ minute.
6. Contact resistance: 10mΩ/ max.

Material: Nylon 66 UL94 V-2 or V-0  
Suitable KR4200 series female terminal  
Mate with KR4200 series double row female housing or wafer

Ordering Code:

H4200M \*\*\* \*\* 01A

No. of Circuits  
201:2x1,212:2x12  
Insulator Material  
01:PA66 White V0  
02:PA66 Black V0  
04:PA66 Black V2  
16:PA66 Transparent V2  
38:PA66 Blue V2  
39:PA66 Green V2

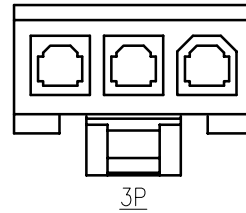
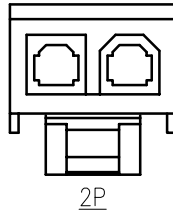
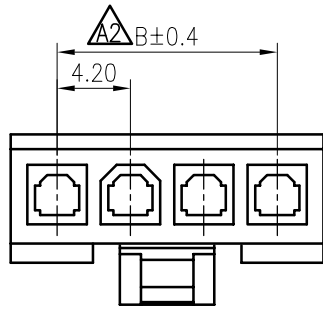


Circuits	Dimensions		Circuits	Dimensions	
	A	B		A	B
2x1	5.50		2x7	30.70	25.20
2x2	9.70	4.20	2x8	34.90	29.40
2x3	13.90	8.40	2x9	39.10	33.60
2x4	18.10	12.60	2x10	43.30	37.80
2x5	22.30	16.80	2x11	47.50	42.00
2x6	26.50	21.00	2x12	51.70	46.20

△7				TOLERANCE	TITLE:	DRAWN: Arvin 2020.03.25	KONNRA 东莞市康瑞电子有限公司 DongGuan Konnra Electronics Co., Ltd. PART NO. : H4200M xxx xx01A REV. : A5 DRAWING NO. : 4200HM201-A-S
△6				X. X ±0.30	MK4.2 Double Row Male Housing	CHECKED:	
△5	Uniformly arrange the drawings	ZSZ	2022.01.16	X. XX ±0.20		APPROVED:	
MARK	REVISION DESCRIPTION	SIGNATURE	DATE	X. XXX ±0.10		UNIT: mm SCALE: N/A SHEET: 1/1 PROJECTION	

				Angle ±2°			
1	2	3	4	5	6	7	8

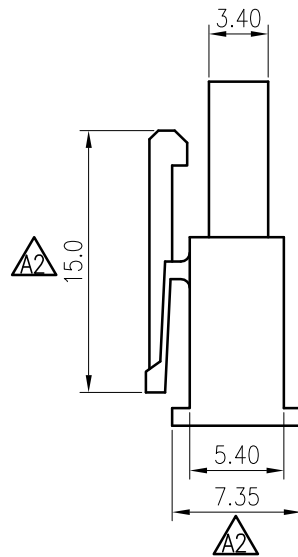
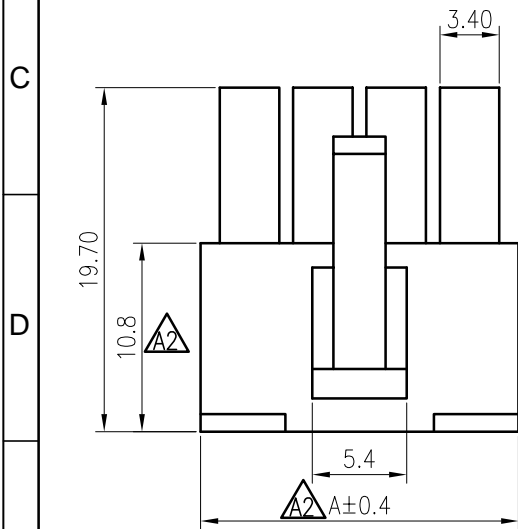
RoHS  
COMPLIANT



**SPECIFICATIONS**

1. Current rating: 9A(2P AWG#16) AC, DC
2. Voltage rating:600V AC,DC
3. Temperature range: -40°C ~ +105°C
4. Insulation resistance: 1000MΩ/ min.
5. Withstanding voltage: 1500V AC/ minute.
6. Contact resistance: 10mΩ/ max.

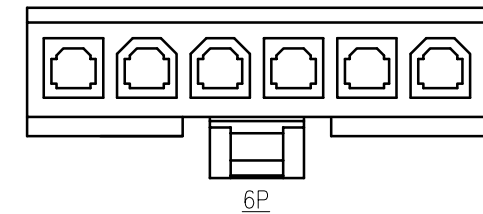
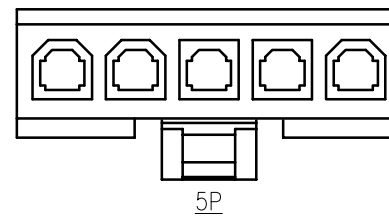
Material: Nylon 66 UL94 V-2 or V-0  
Suitable KR4200 series female terminal  
Mate with KR4200 series single row female housing or wafer



**Ordering Code:**

H4200M \*\*\* \*\* 01A  
 No. of Circuits ————  
 102:2,106:6  
 Insulator Material ————  
 01:PA66 White V0  
 02:PA66 Black V0  
 04:PA66 Black V2  
 16:PA66 Transparent V2

Circuits	Dimensions	
	A	B
2	9.55	4.20
3	13.75	8.40
4	17.90	12.60
5	22.25	16.80
6	26.60	21.00



F					<b>TOLERANCE</b> X.X ±0.30 X.XX ±0.20 X.XXX ±0.10 Angle ±2°	<b>TITLE:</b> MK4.2 Single Row Male Housing	DRAWN: Arvin 2020.04.20		<b>KONNRA</b> 东莞市康瑞电子有限公司 DongGuan Konnra Electronics Co., Ltd.		
		Uniformly arrange the drawings	ZSZ	2022.01.16			CHECKED:				
		Change the part number and frame format	Arvin	2020.04.20			APPROVED:		PART NO. : H4200M xxx xx01A		
	<b>MARK</b>	<b>REVISION DESCRIPTION</b>	<b>SIGNATURE</b>	<b>DATE</b>			<b>UNIT: mm</b>	<b>SCALE: N/A</b>	<b>SHEET: 1/1</b>	<b>PROJECTION</b>	<b>REV. : A4</b>
	1	2	3	4	5	6	7	8	9		

RoHS  
COMPLIANT


SPECIFICATIONS


1. Current rating: 9A AC, DC
2. Voltage rating: 600V AC,DC
3. Temperature range: -40°C ~ +105°C
4. Insulation resistance: 1000MΩ Min.
5. Withstanding voltage: 1500V AC/ minute.
6. Contact resistance: 10mΩ Max.

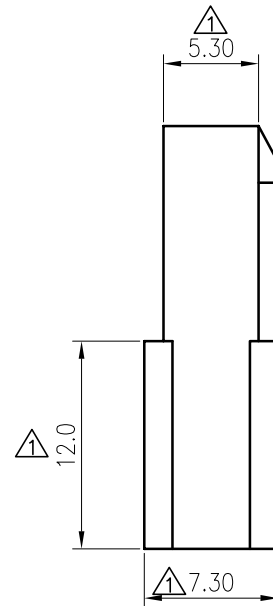
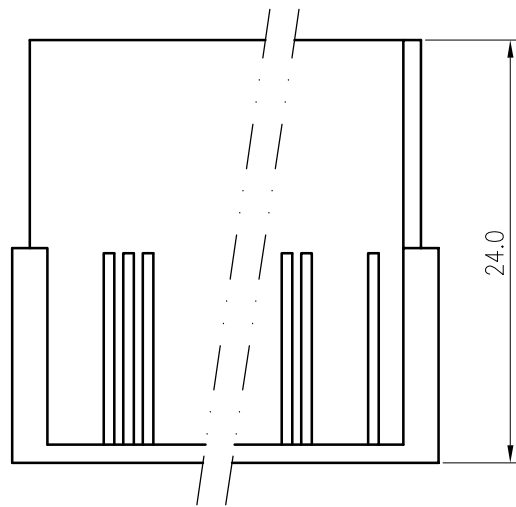
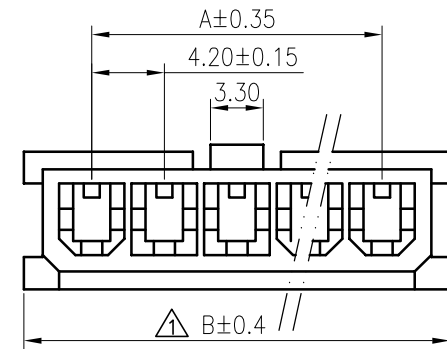
Material: PA66 UL 94V-2  
Suitable KR4200 series terminal  
Mate with KR4200 series wafer

Ordering Code:

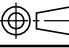
H4200F \*\*\* 16 02A

No.of Circuits   
102:2,106:6

Insulator Material   
16:PA66 Transparent V2



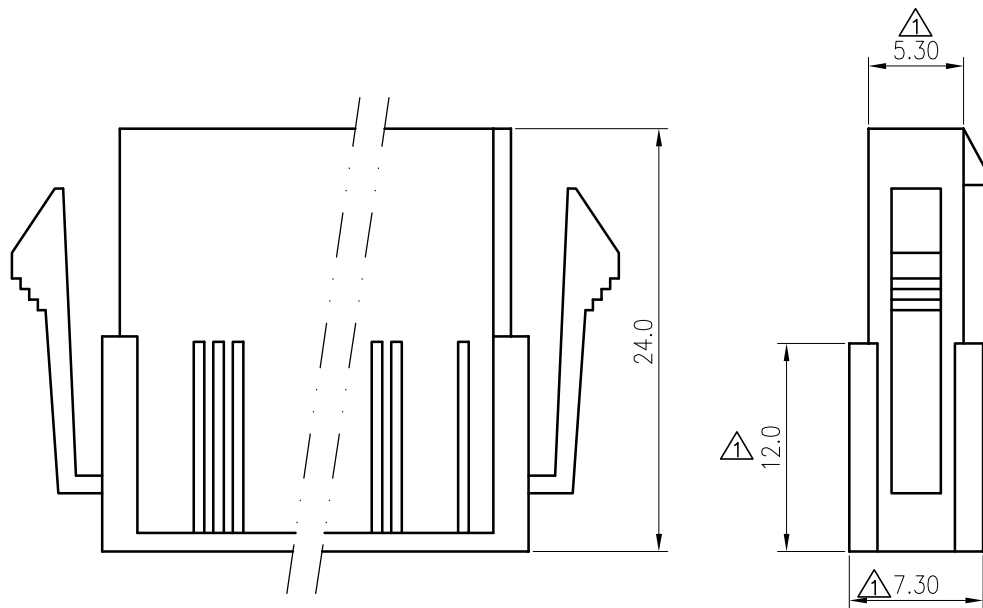
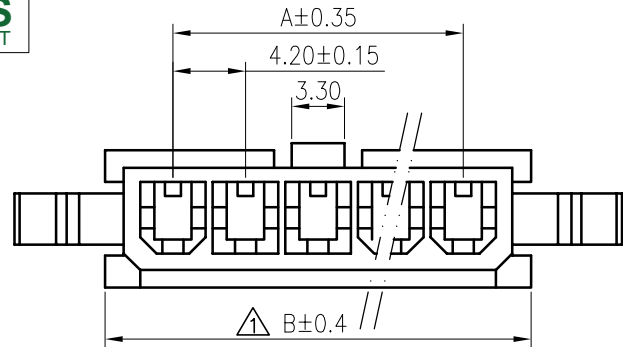
Circuits	Dimensions	
	A	B
2	4.20	11.70
3	8.40	15.90
4	12.60	20.10
5	16.80	24.30
6	21.00	28.50

MARK	REVISION	DESCRIPTION	SIGNATURE	DATE	TOLERANCE	TITLE:	DRAWN:	CHECKED:	APPROVED:	REV. :	DRAWING NO. :	
A4					X. X ±0.30	MK4.2 Single Row Female Housing Without wings	Liujingtian 2020.5.22				PART NO. : H4200F***1602A DRAWING NO. : 4200HF102-A-S	
A3	1	Uniformly arrange the drawings	ZSZ	2022.01.16	X. XX ±0.20							
A2	2	Change the part number and frame format	LJT	2020.05.22	X. XXX ±0.10							
	1				Angle ±2°	UNIT: mm SCALE: N/A	SHEET: 1/1	PROJECTION 				

KONNRA 东莞市康瑞电子有限公司

DongGuan Konnra Electronics Co., Ltd.

RoHS  
COMPLIANT



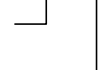
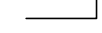
**SPECIFICATIONS**

1. Current rating: 9A AC, DC
2. Voltage rating: 600V AC,DC
3. Temperature range: -40°C ~ +105°C
4. Insulation resistance: 1000MΩ Min.
5. Withstanding voltage: 1500V AC/ minute.
6. Contact resistance: 10mΩ Max.




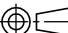
Material: PA 66 UL 94V-2  
Suitable KR4200 series terminal  
Mate with KR4200 series wafer

Ordering Code:

H4200F \*\*\* 16 01A

No. of Circuits   
102:2,106:6  
Insulator Material   
16:PA66 Transparent V2

Circuits	Dimensions	
	A	B
2	4.20	11.70
3	8.40	15.90
4	12.60	20.10
5	16.80	24.30
6	21.00	28.50

F					<b>TOLERANCE</b> X. X ±0.30 X. XX ±0.20 X. XXX ±0.10 Angle ±2°	<b>TITLE:</b> MK4.2 Single Row Female Housing	DRAWN: Liujingtian 2020.5.22		KONNRA 东莞市康瑞电子有限公司		
		Uniformly arrange the drawings	ZSZ	2022.01.16			CHECKED:		DongGuan Konnra Electronics Co., Ltd.		
		Change the part number and frame format	LJT	2020.05.22			APPROVED:		PART NO. : H4200F***1601A		
	<b>MARK</b>	<b>REVISION DESCRIPTION</b>	<b>SIGNATURE</b>	<b>DATE</b>			<b>UNIT: mm</b>	<b>SCALE: N/A</b>	<b>SHEET: 1/1</b>	<b>PROJECTION</b> 	<b>REV. : A3</b>
	1	2	3	4	5	6	7	8	9		

RoHS  
COMPLIANT

**SPECIFICATIONS**

1. Current rating: 9A(2P AWG#16) AC, DC
2. Voltage rating:600V AC,DC
3. Temperature range: -40°C ~ +105°C
4. Insulation resistance: 1000MΩ/ min.
5. Withstanding voltage: 1500V AC/ minute.
6. Contact resistance: 10mΩ/ max.

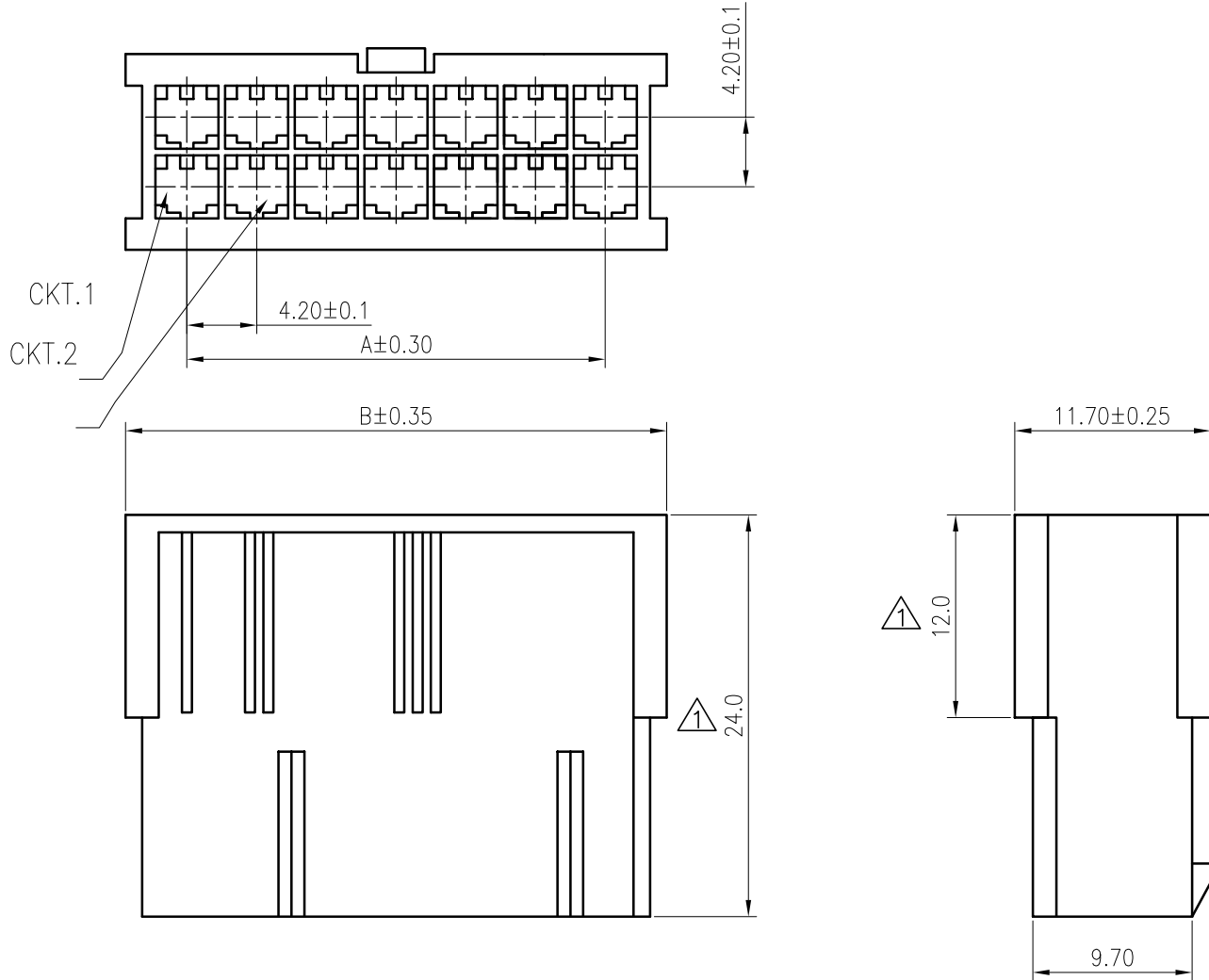
Material: Nylon 66 UL94 V-2 or V-0  
Suitable KR4200 series female terminal  
Mate with KR4200 series double row male housing

Ordering Code:

H4200F \*\*\* \*\* 02A

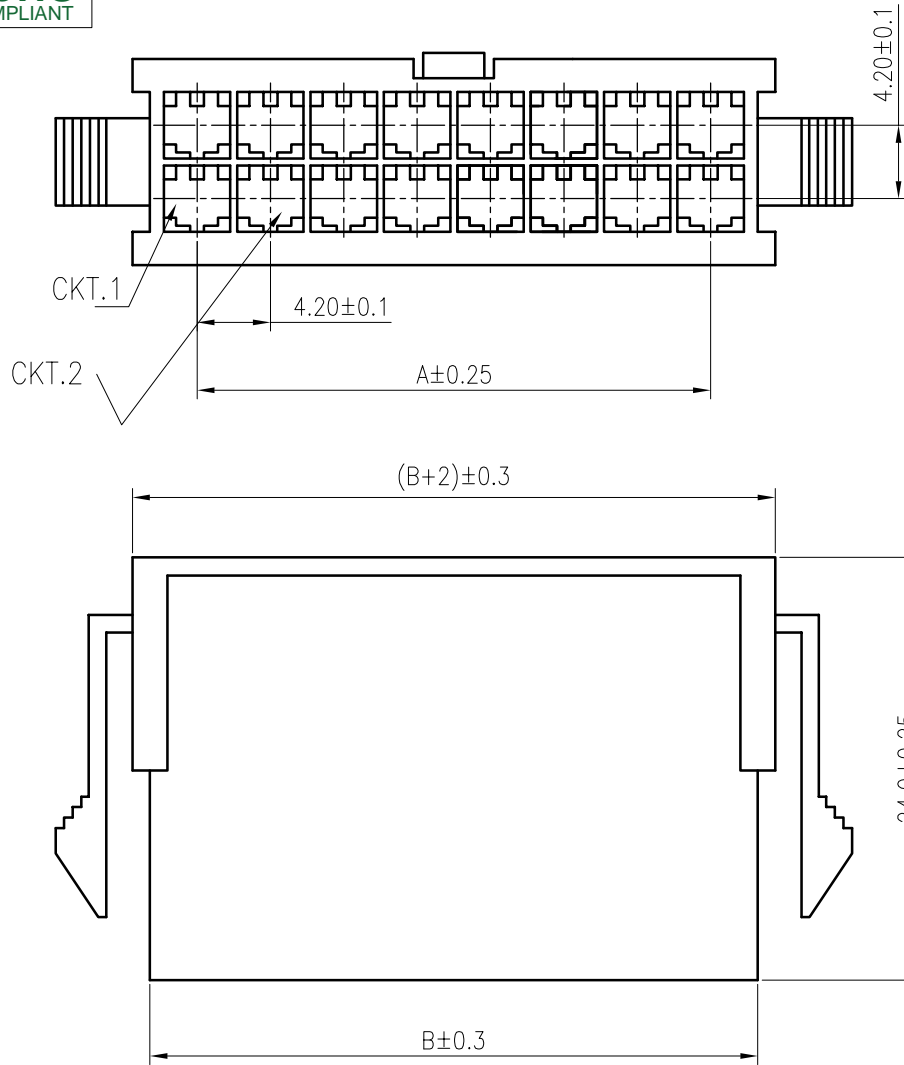
No. of Circuits  
201:2x1,212:2x12  
Insulator Material  
01:PA66 White V0  
02:PA66 Black V0  
04:PA66 Black V2  
16:PA66 Transparent V2  
38:PA66 Blue V2  
39:PA66 Green V2

Circuits	Dimensions		Circuits	Dimensions	
	A	B		A	B
2x1	/	7.50	2x7	25.20	32.70
2x2	4.20	11.70	2x8	29.40	36.90
2x3	8.40	15.90	2x9	33.60	41.10
2x4	12.60	20.10	2x10	37.80	45.30
2x5	16.80	24.30	2x11	42.00	49.50
2x6	21.00	28.50	2x12	46.20	53.70



F					TOLERANCE X. X $\pm 0.30$ X. XX $\pm 0.20$ X. XXX $\pm 0.10$ Angle $\pm 2^\circ$	TITLE: MK4.2 Double Row Female Housing Without wings	DRAWN: Liujingian 2020.5.22		KONNRA 东莞市康瑞电子有限公司 DongGuan Konnra Electronics Co., Ltd. PART NO. : H4200F xxx xx02A		
		Uniformly arrange the drawings	ZSZ	2022.01.16			CHECKED:				
		Change the part number and frame format	LJT	2020.03.25			APPROVED:				
	MARK	REVISION DESCRIPTION	SIGNATURE	DATE			UNIT: mm	SCALE: N/A			
	1	2	3	4		5	6	7	8	9	

**RoHS**  
COMPLIANT



**SPECIFICATIONS**

1. Current rating: 9A(2P AWG#16) AC, DC
2. Voltage rating:600V AC,DC
3. Temperature range: -40°C ~ +105°C
4. Insulation resistance: 1000MΩ/ min.
5. Withstanding voltage: 1500V AC/ minute.
6. Contact resistance: 10mΩ/ max.

Material: Nylon 66 UL94 V-2 or V-0  
Suitable KR4200 series female terminal  
Mate with KR4200 series double row male housing

Ordering Code:

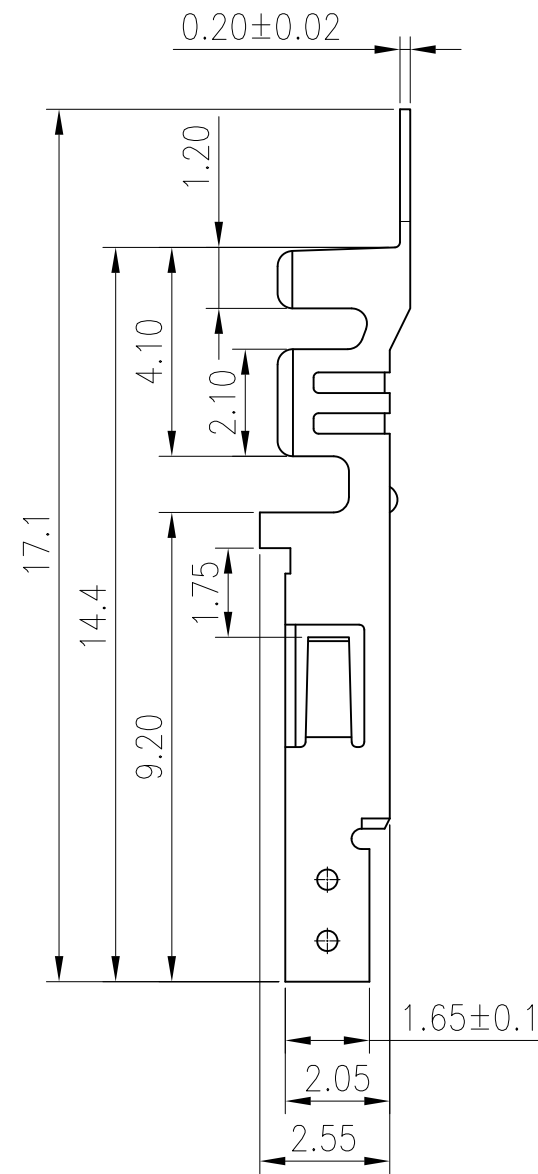
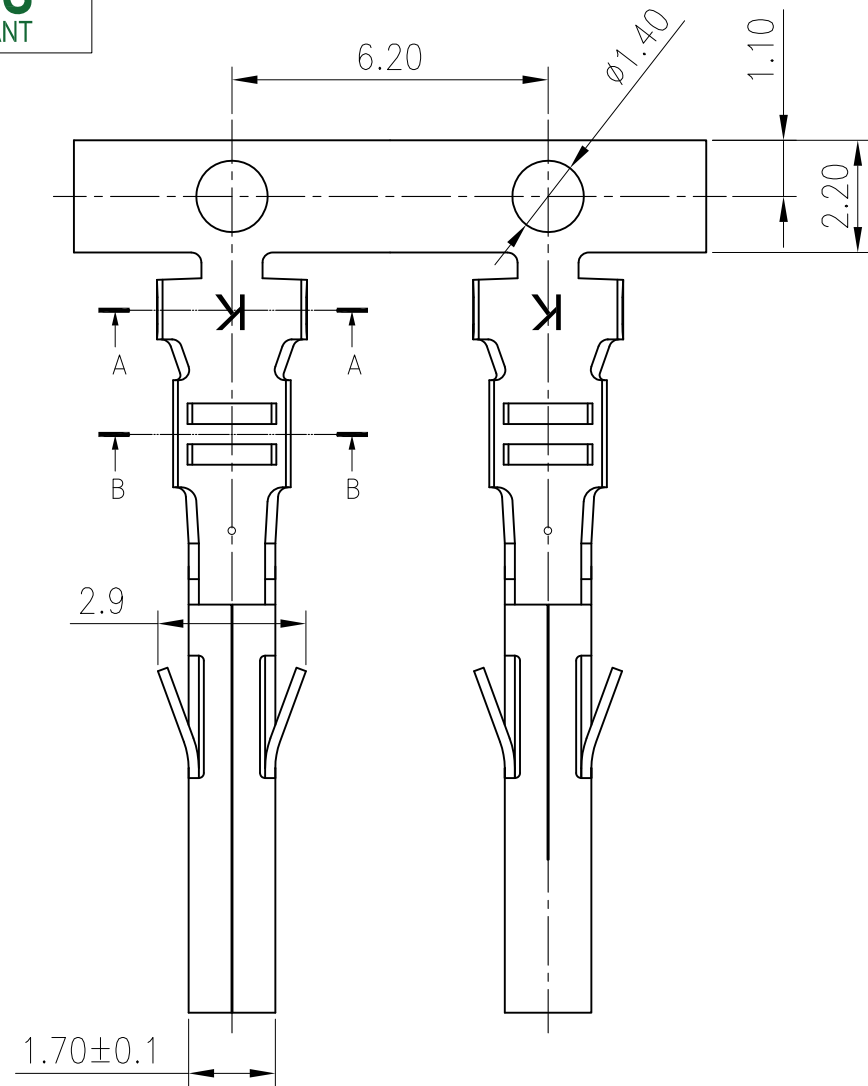
H4200F \*\*\* \*\* 01A

No. of Circuits  
201:2x1,212:2x12  
Insulator Material  
01:PA66 White V0  
02:PA66 Black V0  
04:PA66 Black V2  
16:PA66 Transparent V2  
38:PA66 Blue V2  
39:PA66 Green V2

Circuits	Dimensions		Circuits	Dimensions	
	A	B		A	B
2x1	4.20	5.50	2x7	25.20	30.70
2x2	4.20	9.70	2x8	29.40	34.90
2x3	8.40	13.90	2x9	33.60	39.10
2x4	12.60	18.10	2x10	37.80	43.30
2x5	16.80	22.30	2x11	42.00	47.50
2x6	21.00	26.50	2x12	46.20	51.70

F					<b>TOLERANCE</b> X. X ±0.30 X. XX ±0.20 X. XXX ±0.10 Angle ±2°	<b>TITLE:</b> MX4.2 Double Row Female Housing	DRAWN: Arvin 2020.12.21		<b>KONNRA</b> 东莞市康瑞电子有限公司 DongGuan Konnra Electronics Co., Ltd.		
		Uniformly arrange the drawings	ZSZ	2022.01.16			CHECKED:				
		Change the part number and frame format	Arvin	2020.12.21			APPROVED:		PART NO. : H4200F*****01A		
	<b>MARK</b>	<b>REVISION DESCRIPTION</b>	<b>SIGNATURE</b>	<b>DATE</b>			<b>UNIT: mm</b>	<b>SCALE: N/A</b>	<b>SHEET: 1/1</b>	<b>PROJECTION</b>	<b>REV. : A3</b>
	1	2	3	4	5	6	7	8	9		

**RoHS**  
COMPLIANT



◆ SPECIFICATIONS

- Current rating: 9A AC, DC(AWG#16,2 Circuit)
- Voltage rating: 600V AC,DC
- Temperature range: -40°C ~ +105°C
- Insulation resistance: 1000MΩ Min.
- Withstanding voltage: 1500V AC/ minute.
- Contact resistance: 10mΩ Max.

Material: Brass or Phosphor Bronze

Plating: Tin plated over Nickel

Applicable wire:

Conductor size: AWG#20~#24

Insulation O.D.: 1.10mm~1.80mm

Q'ty/reel: 10,000pcs

Ordering Code:

T4200F\*\*\*\*02A

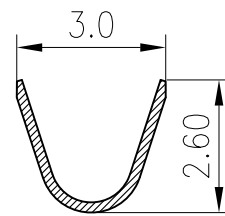
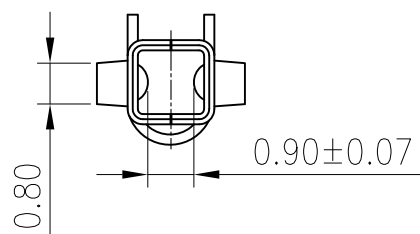
B:BRASS

S00:Material

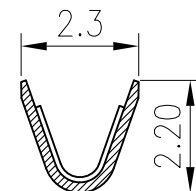
P:Phosphorus

T01: Tin Plated

copper



SECTION A-A



SECTION B-B



MARK

MARK	REVISION DESCRIPTION	SIGNATURE	DATE
A4			
A3	Uniformly arrange the drawings	Shen	2021.09.22
A2	Change the part number and frame format	TLX	2020.05.14

TOLERANCE

- X.X ±0.3
- X.XX ±0.2
- X.XXX ±0.1
- Angle ±1°

TITLE:  
MX4.2 Male Terminal  
short foot

UNIT:mm SCALE:1/1

DRAWN: Shen 2021.09.22

CHECKED:

APPROVED:

SHEET:1/1 PROJECTION

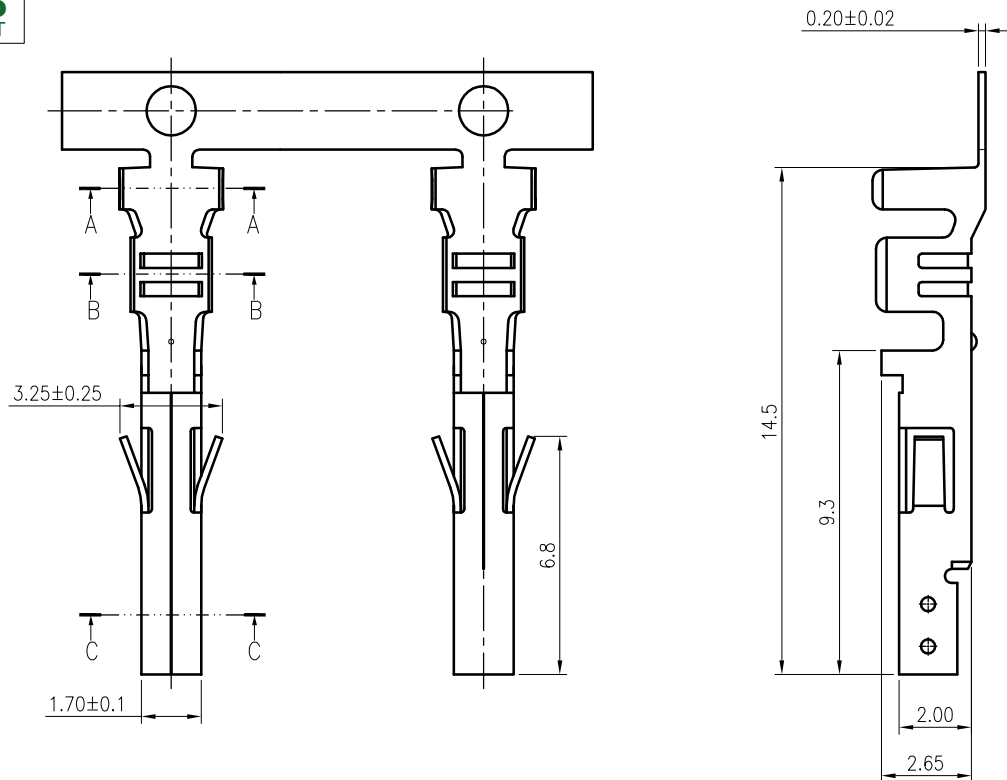
**KONNRA** 东莞市康瑞电子有限公司

DongGuan Konnra Electronics Co.,Ltd.

PART NO.:T4200F\*\*\*\*02A

REV.:A3 DRAWING NO.:4200TF01-A-S

**RoHS**  
COMPLIANT



**SPECIFICATIONS**

1. Current rating: 9A AC, DC(AWG#16,2 Circuit)
2. Voltage rating:600V AC,DC
3. Temperature range: -40°C ~ +105°C
4. Insulation resistance: 1000MΩ/ min.
5. Withstanding voltage: 1500V AC/ minute.
6. Contact resistance: 10mΩ/ max.

Material: Brass

Plating: Tin plated over Nickel

Applicable wire:

Conductor size: AWG#18~#22

Insulation O.D.: 2.50mm Max.

Q'ty/reel: 4,500pcs

Suitable KR4200 series male housing

Ordering Code:

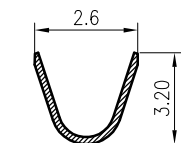
T4200FB T01 03B

Plating

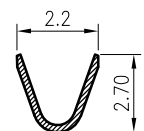
T01: Tin plated

G01: Gold plated 0.8u"

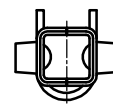
B01: Selective gold plated 0.8u"



SECTION A-A



SECTION B-B

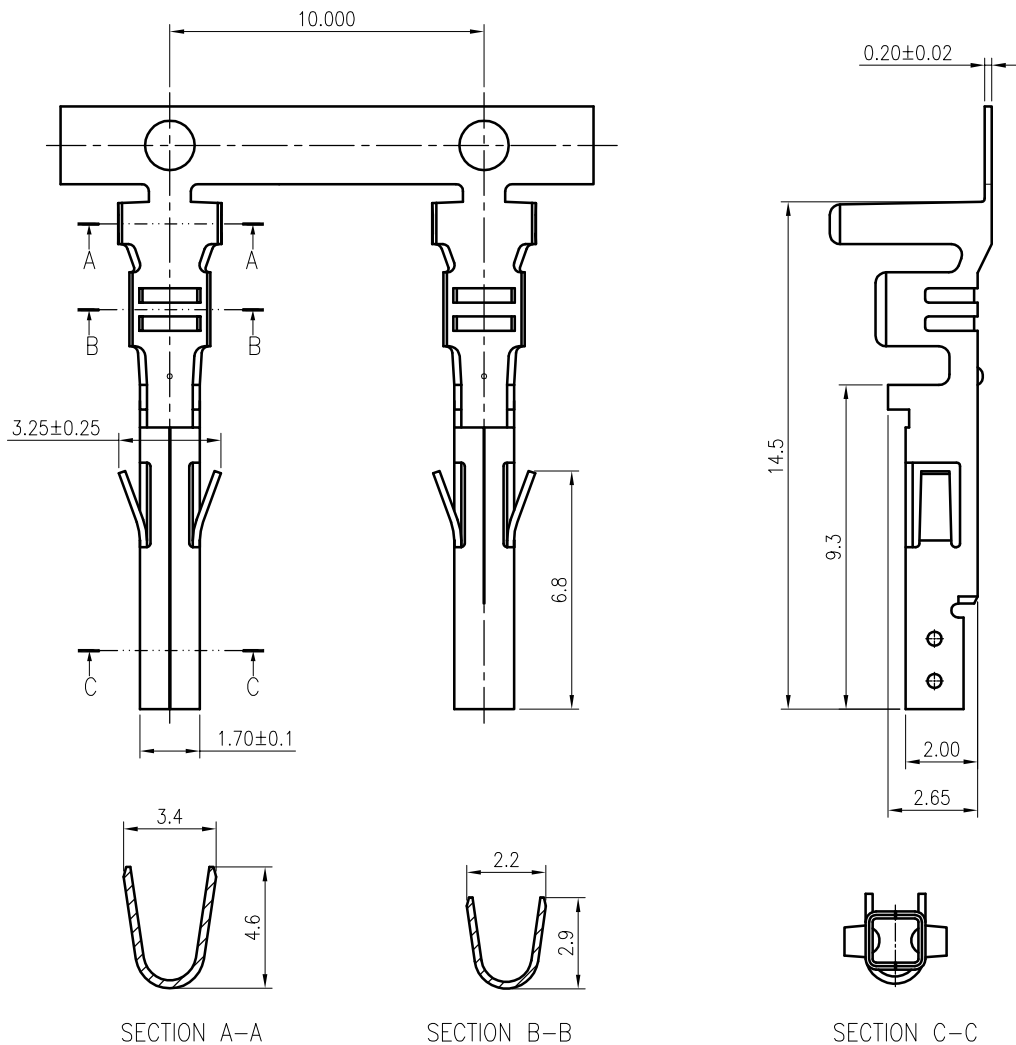


SECTION C-C

F					<b>TOLERANCE</b> X. X ± 0.30 X. XX ± 0.20 X. XXX ± 0.10 Angle ± 2°	<b>TITLE:</b> MX4.2 Female Terminal medium length foot	DRAWN: Arvin 2020.04.22		KONNRA 东莞市康瑞电子有限公司		
		Uniformly arrange the drawings	ZSZ	2022.01.16			CHECKED:		DongGuan Konnra Electronics Co., Ltd.		
		Change the part number and frame format	Arvin	2020.04.22			APPROVED:		PART NO. : T4200FB***03B		
	<b>MARK</b>	<b>REVISION DESCRIPTION</b>	<b>SIGNATURE</b>	<b>DATE</b>			<b>UNIT: mm</b>	<b>SCALE: N/A</b>	<b>SHEET: 1/1</b>	<b>PROJECTION</b>	<b>VER. : A3</b>
	1	2	3	4	5	6	7	8	9		



**RoHS**  
COMPLIANT



**SPECIFICATIONS**

1. Current rating: 9A AC, DC(AWG#16,2 Circuit)
2. Voltage rating:600V AC,DC
3. Temperature range: -40°C ~ +105°C
4. Insulation resistance: 1000MΩ/ min.
5. Withstanding voltage: 1500V AC/ minute.
6. Contact resistance: 10mΩ/ max.

Material: Brass or phosphor bronze

Plating: Tin plated over Nickel

Applicable wire:

Conductor size: AWG#16~#20

Insulation O.D.: 3.10mm Max.

Q'ty/reel: 4,500pcs

Suitable KR4200 series male housing

Ordering Code:

T4200F B T01 01 B

Material:

B: Brass

P: Phosphor

Bronze

Plating

T01: Tin plated

G01: Gold plated 0.8u"

B01: Selective gold plated 0.8u"

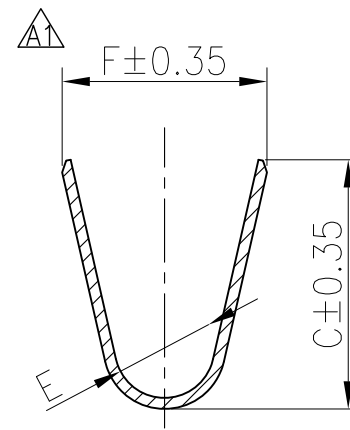
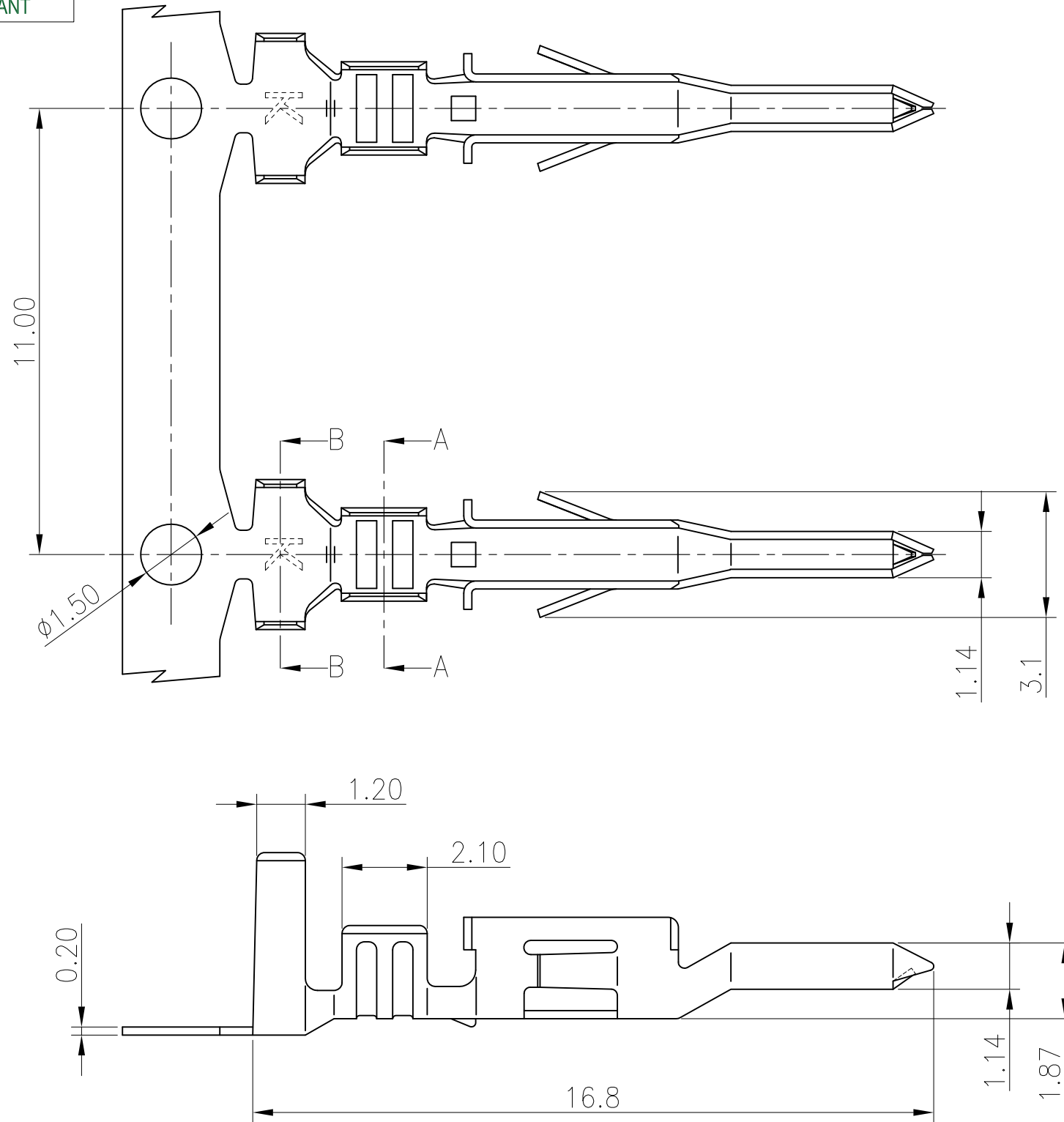
Type

01: Stamping after plating  
High foot

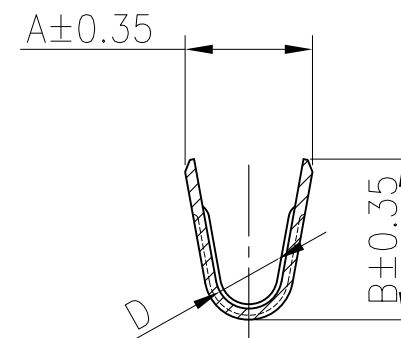
04: Stamping before plating  
High foot

F		Uniformly arrange the drawings	ZSZ	2022.01.16	<b>TOLERANCE</b> X. X ± 0.30 X. XX ± 0.20 X. XXX ± 0.10 Angle ± 2°	<b>TITLE:</b> MX4.2 Female Terminal High foot	DRAWN: Arvin 2020.05.18		KONNRA 东莞市康瑞电子有限公司	
		Change part number description	Arvin	2020.05.18			CHECKED:		DongGuan Konnra Electronics Co., Ltd.	
		Change the part number and frame format	Arvin	2020.04.22			APPROVED:		PART NO. : T4200F*****B	
	MARK	REVISION DESCRIPTION	SIGNATURE	DATE			UNIT: mm	SCALE: N/A	SHEET: 1/1	PROJECTION
	1	2	3	4	5	6	7	8	9	

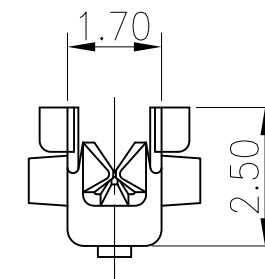
**RoHS**  
COMPLIANT



SECTION: B-B



SECTION: A-A



◆ SPECIFICATIONS

- Current rating: 9A AC, DC(AWG#16,2 Circuit)
- Voltage rating: 600V AC,DC
- Temperature range: -40°C ~ +105°C
- Insulation resistance: 1000MΩ Min.
- Withstanding voltage: 1500V AC/ minute.
- Contact resistance: 20mΩ Max.

Material: Brass

Plating: Tin (80u" min)plated over Nickel(50u" min)

Applicable wire:

Conductor size: See Table

Insulation O.D.: See Table

Q'ty/reel:5,000pcs(short),4500PCS(tall)

PART NO.:T4200MBT01 \*\* A

01:TALL

02:SHORT

TALL	2.30	2.90	4.50	1.2	1.8	3.70	#16~22	1.40~2.50
SHORT	2.00	2.30	3.70	1.0	1.8	3.30	#20~24	1.10~1.80
TYPE	A	B	C	D	E	F	WIRE RANGE	INS. O.D.



MARK

MARK	REVISION DESCRIPTION	SIGNATURE	DATE
A3			
A2	Uniformly arrange the drawings	Shen	2021.09.22
A1	Change the part number and frame format	TLX	2020.05.14

TOLERANCE

X.X ±0.35

X.XX ±0.25

X.XXX ±0.10

Angle ±2°

TITLE:  
MX4.2 Female  
Terminal Tall  
foot/Short foot

UNIT:mm SCALE:1/1

DRAWN: Shen 2021.09.22

CHECKED:

APPROVED:

SHEET:1/1 PROJECTION

**KONNRA** 东莞市康瑞电子有限公司

DongGuan Konnra Electronics Co.,Ltd.

PART NO.:T4200MBT010\*A

REV.:A3 DRAWING NO.:4200TM01-A-S