

RoHS
COMPLIANT

SPECIFICATIONS

1. Current rating: 9A(2P AWG#16) AC, DC
2. Voltage rating: 600V AC, DC
3. Temperature range: -40°C ~ +105°C
4. Insulation resistance: 1000MΩ/ min.
5. Withstanding voltage: 1500V AC/ minute.
6. Contact resistance: 10mΩ/ max.

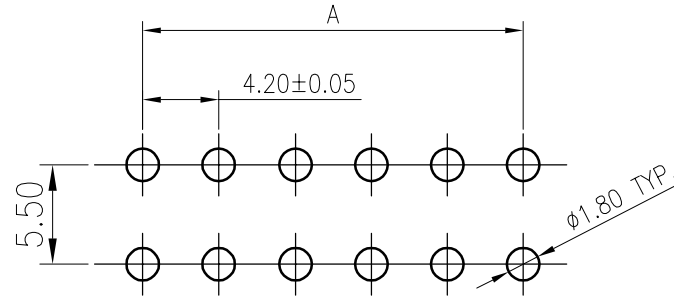
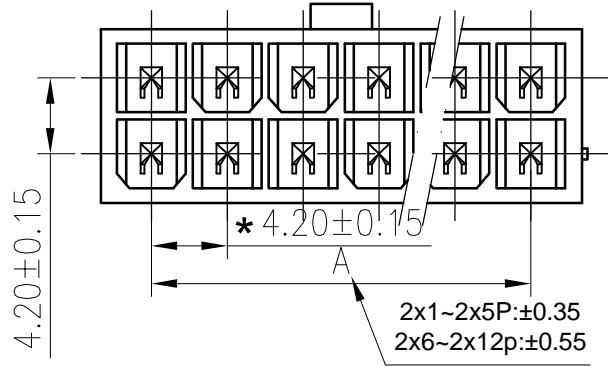
Material:

Insulator: Nylon 66 UL 94V-2
Contact: Brass
Plating: Tin plated over Nickel
Mate with KR4200 series double row male housing

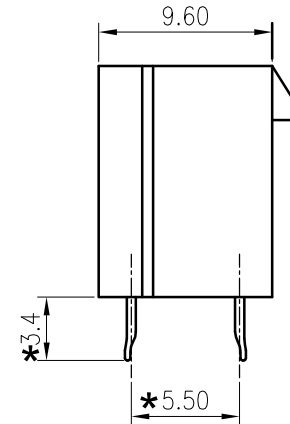
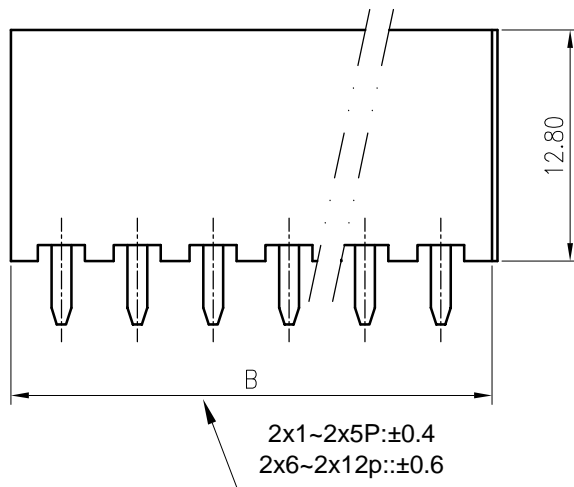
Ordering Code:

C4200VD *** 16 T0103 * B
No. of Circuits Packing
201:2*1,212:2*12 P: Bag
Insulator Material B: Box
16:PA66 Transparent V2

| Circuits | Dimensions | | Circuits | Dimensions | |
|----------|------------|-------|----------|------------|-------|
| | A | B | | A | B |
| 2x1 | | 5.60 | 2x7 | 25.20 | 30.80 |
| 2x2 | 4.20 | 9.80 | 2x8 | 29.40 | 35.00 |
| 2x3 | 8.40 | 14.00 | 2x9 | 33.60 | 39.20 |
| 2x4 | 12.60 | 18.20 | 2x10 | 37.80 | 43.40 |
| 2x5 | 16.80 | 22.40 | 2x11 | 42.00 | 47.60 |
| 2x6 | 21.00 | 26.60 | 2x12 | 46.20 | 51.80 |



Recommended P.C.Board Layout



| MARK | REVISION | DESCRIPTION | SIGNATURE | DATE | TOLERANCE | TITLE: | DRAWN: | CHECKED: | APPROVED: | REV. : | DRAWING NO. : | |
|------|----------|---|-----------|------------|--------------|--|-----------------------|------------|------------|--------|---------------|--|
| | | | | | X. X ±0.30 | MX4.2 DIP 180° Wafer double rowhollow needle without post | Liujingtian 2020.5.22 | | | A3 | 4200WD201-B-S | |
| A4 | | | | | X. XX ±0.20 | | | | | | | |
| A3 | 1 | Uniformly arrange the drawings | ZSZ | 2022.01.16 | X. XXX ±0.10 | | | | | | | |
| A2 | 2 | Change the part number and frame format | LJT | 2020.05.23 | Angle ±2° | | | | | | | |
| | 1 | | | | | UNIT: mm | SCALE: N/A | SHEET: 1/1 | PROJECTION | | | |

KONNRA 东莞市康瑞电子有限公司
DongGuan Konnra Electronics Co., Ltd.

PART NO. : C4200VD***16T0103*B

REV. : A3 DRAWING NO. : 4200WD201-B-S