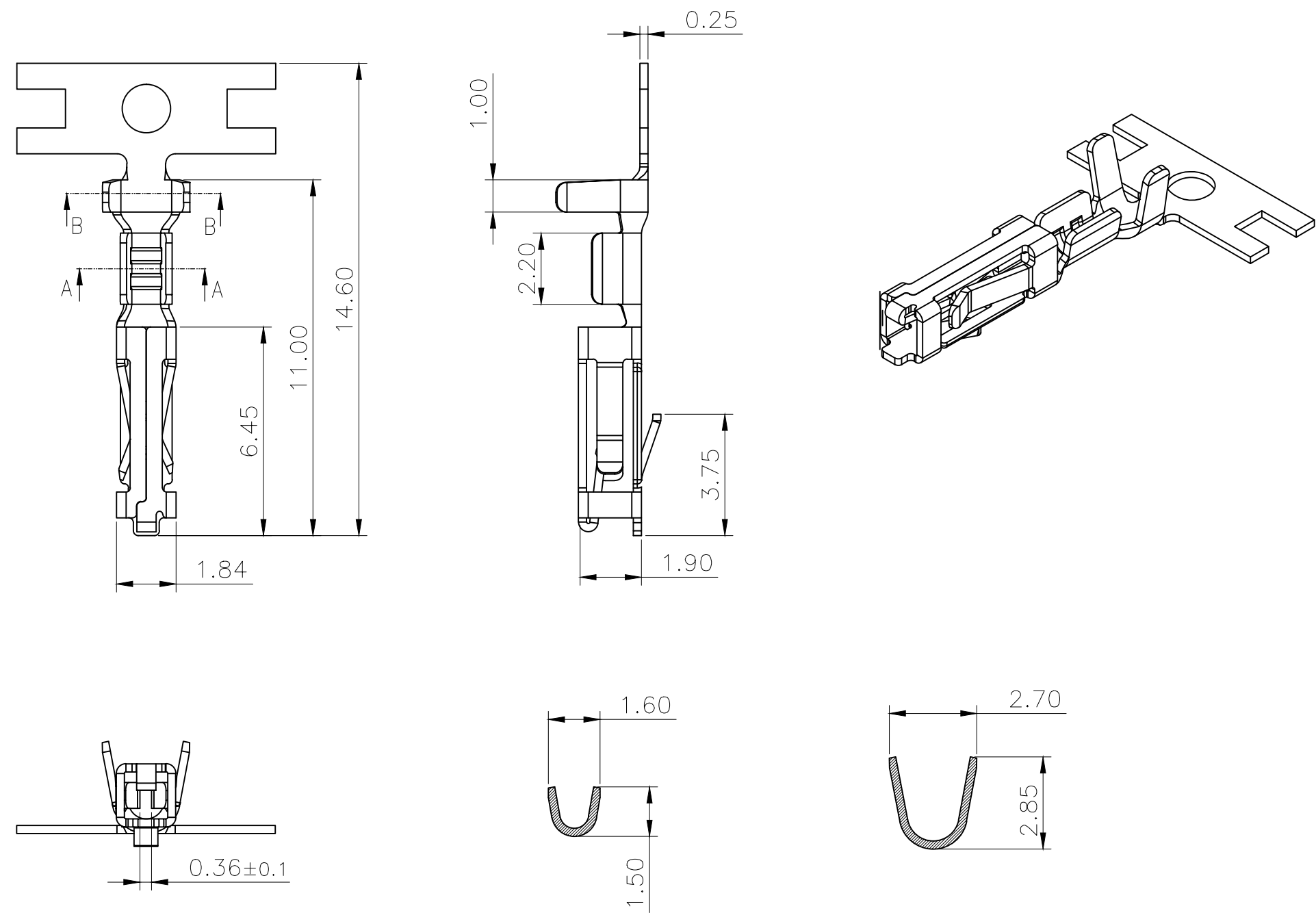


RoHS
COMPLIANT

SPECIFICATIONS

1. Current rating: 3A AC, DC(22AWG)
2. Voltage rating: 250V AC,DC
3. Temperature range: -40°C ~ +105°C
4. Insulation resistance: 1000MΩ Min.
5. Withstanding voltage: 1000V AC/ minute.
6. Contact resistance: 20mΩ Max.

Material: Phosphor Bronze(C5191R)
 Plating: Tin plated 80u" MIN and over Nickel
 50u"MIN
 Applicable wire:
 AWG #22~#24
 Insulation O.D.: 1.2 To 1.6mm
 Suitable KR2548 series housing
 Q'ty/reel:10,000PCS



SECTION A-A
SCALE 1:1

SECTION B-B
SCALE 1:1

				TOLERANCE	TITLE:		DRAWN: Shen 2022.10.31		KONNRA 东莞市康瑞电子有限公司	
A3				X.X ±0.30	PH2.54 Terminal		CHECKED:		DongGuan Konnra Electronics Co.,Ltd.	
A2		NEW DWG	Shen	X.XX ±0.20			APPROVED:		PART NO.: T2548*****01A	
MARK		REVISION DESCRIPTION	SIGNATURE	X.XXX ±0.10	UNIT:mm	SCALE:1/1	SHEET:1/1	PROJECTION	REV.:A1	DRAWING NO.:2548TF101-A-S
				Angle ±2°						