

RoHS
COMPLIANT

SPECIFICATIONS

1. Current rating: 3.0A AC, DC
2. Voltage rating: 250V AC,DC
3. Temperature range: -40°C ~ +105°C
4. Insulation resistance: 1000MΩ/ min.
5. Withstanding voltage: 1000V AC/ minute.

Material: Plastic(PA66)

Suitable:

KR2548 series terminal(22AWG~26AWG)

Mated with KR2548 series Dual row Wafer

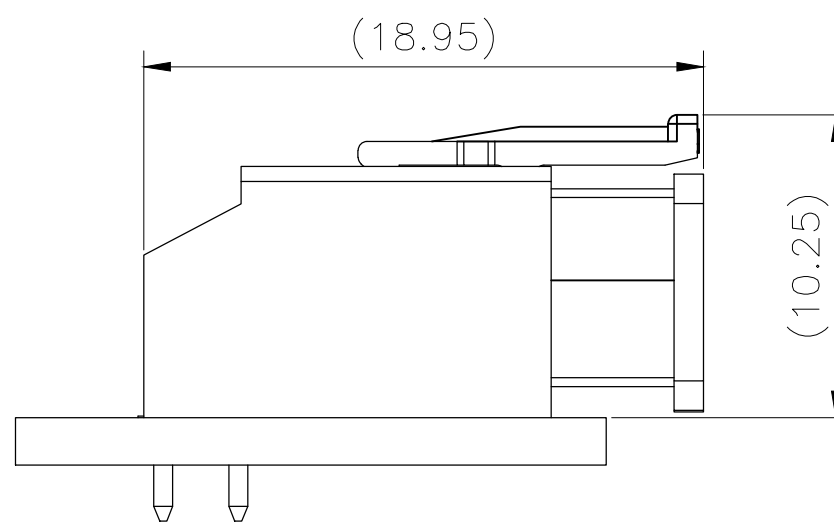
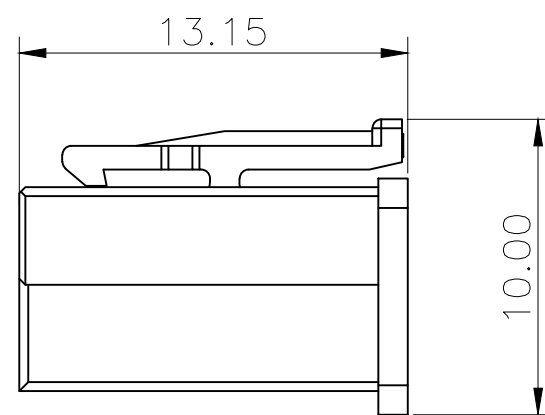
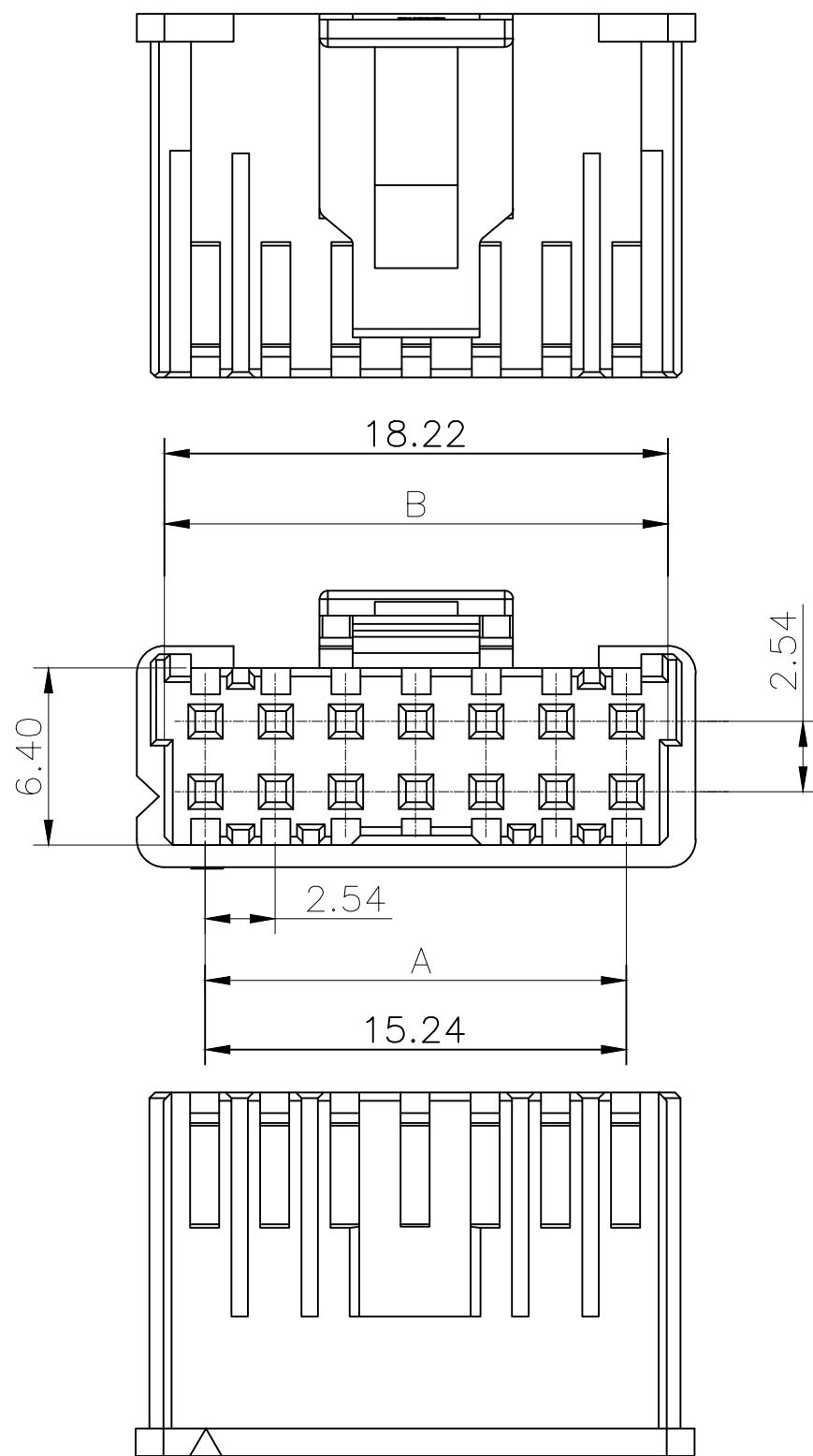
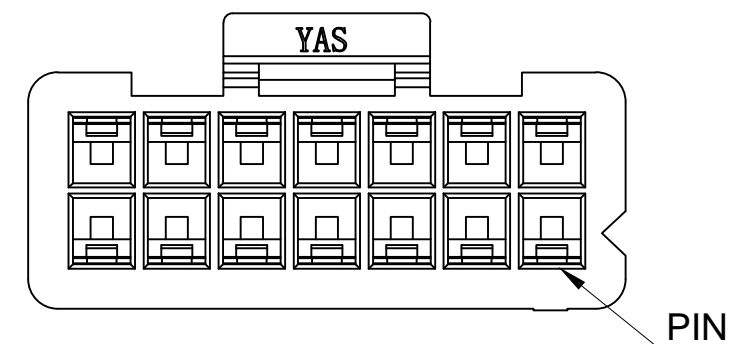
Ordering Code: H254802xx0201A

204=2*4P

205=2*5P

02:PA66 BLACK

01:PA66 WHITE



MATED CONNECTORS

TABLE:

Pin	Dimension		
	A	B	LOGO
2*4P	7.62	10.60	KR
2*5P	10.16	13.14	KR
2*6P	12.70	15.68	KR
2*7P	15.24	18.22	YAS
2*8P	17.78	20.76	KR
2*9P	20.32	23.30	KR
2*10P	22.86	25.84	KR

F		Add anti-dormant ribs at the mouth of the frame	Shen	2023.02.03	TOLERANCE X.X ±0.30 X.XX ±0.20 X.XXX ±0.10 Angle ±2°	TITLE: PH2.54 DUAL ROW Housing	DRAWN: <i>Shen 2022.10.31</i>		KONNRA® 东莞市康瑞电子有限公司 DongGuan Konnra Electronics Co.,Ltd.	PART NO.: H254802xxxx01A	REV.: B2	DRAWING NO.: 2548H201-A-S
		Add anti-dormant ribs at the mouth of the frame	Shen	2023.01.03								
		NEW DWG	Shen	2022.10.31								
	MARK	REVISION DESCRIPTION	SIGNATURE	DATE								
	1	2	3	4	5	6	7	8	9			