

RoHS
COMPLIANT

SPECIFICATIONS

1. Current rating: 3.0A AC, DC
2. Voltage rating: 250V AC, DC
3. Temperature range: -40°C ~ +105°C
4. Insulation resistance: 1000MΩ/ min.
5. Withstanding voltage: 1000V AC/ minute.
6. Contact resistance: 20mΩ/ max.

Material:

Insulator: Plastic(PA66)

Contact: BRASS(C2700R-H)

Plating: 1um MIN Matte Tin plated over Nickel

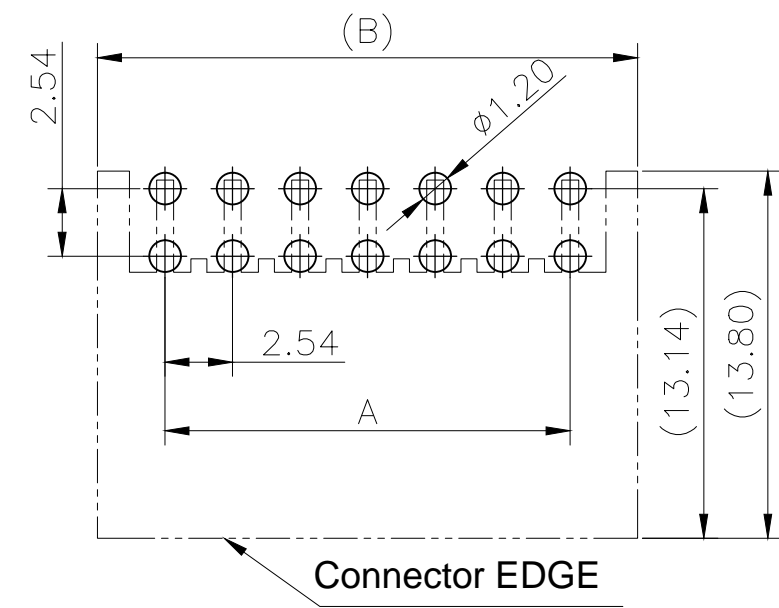
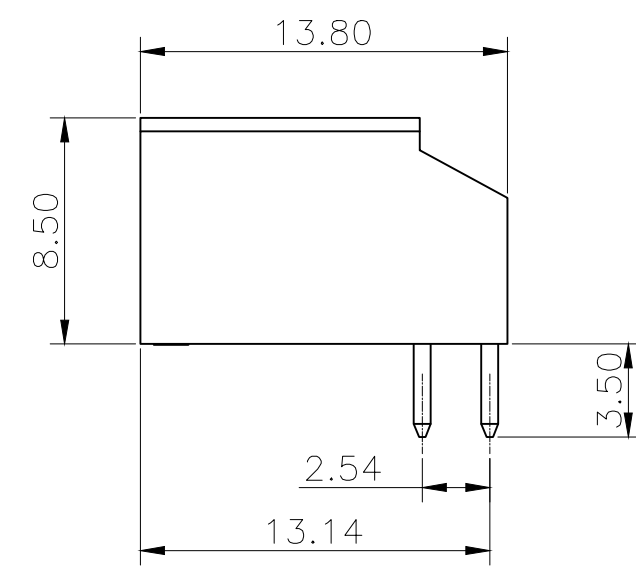
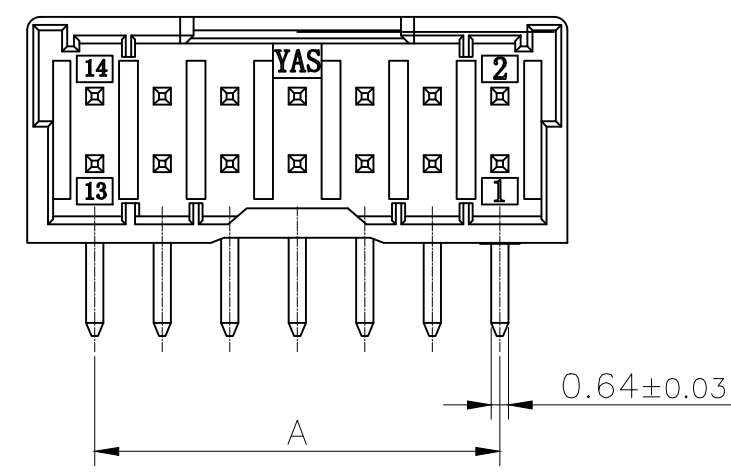
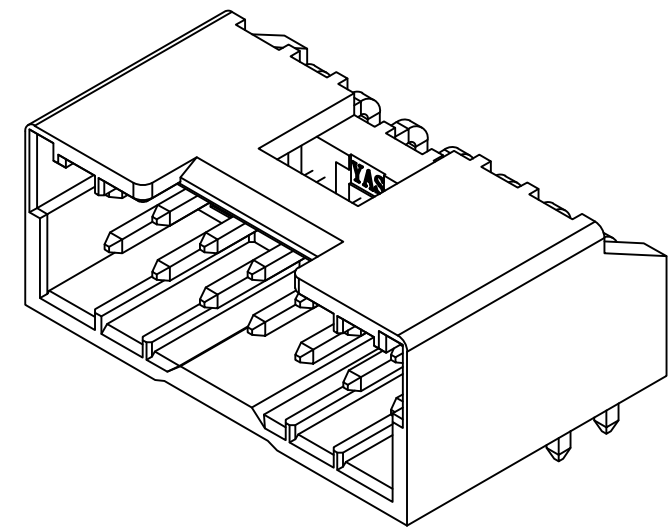
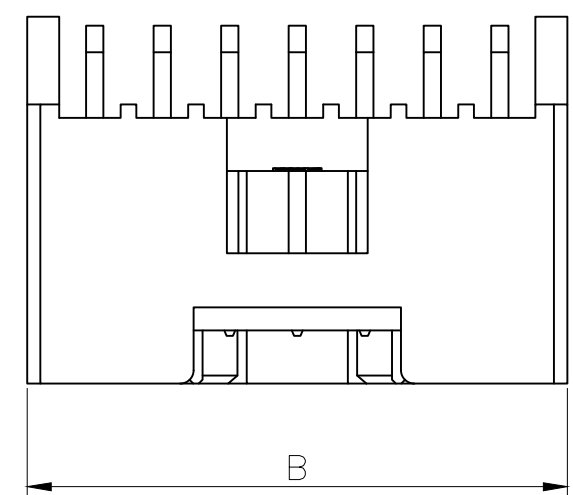
Circuits: SEE TABLE

Mates With KR2548 Series Dual Row Housing

Ordering Code: C2548RD2xx02T0101PA

204=2*4P
205=2*5P

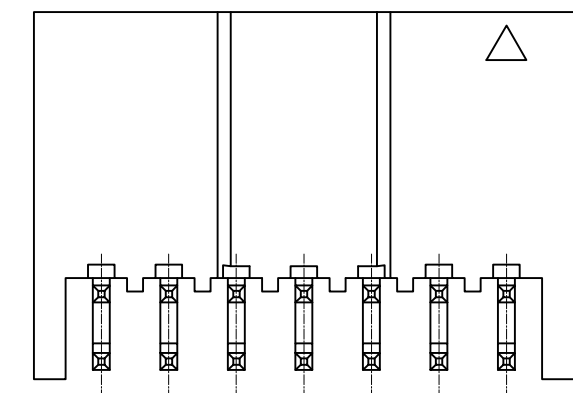
P:BAG
02:PA66 BLACK
01:PA66 WHITE



Recommended P.C.B. Layout
Total tolerance: ±0.05mm

TABLE:

Pin	Dimension		
	A	B	LOGO
2*4P	7.62	12.70	KR
2*5P	10.16	15.24	KR
2*6P	12.70	17.78	KR
2*7P	15.24	20.32	YAS
2*8P	17.78	22.86	KR
2*9P	20.32	25.40	KR
2*10P	22.86	27.94	KR



F		Add anti-dormant ribs at the mouth of the frame	Shen	2023.02.03	TOLERANCE X.X ±0.30 X.XX ±0.20 X.XXX ±0.10 Angle ±2°	TITLE: PH2.54 DUAL ROW DIP 90° WF	DRAWN: Shen 2022.10.31	KONNRA 东莞市康瑞电子有限公司 DongGuan Konnra Electronics Co.,Ltd.	PART NO.: C2548RD2xxxxT0101PA	REV.: B2	DRAWING NO.: 2548WRD201-A-S
		Add anti-dormant ribs at the mouth of the frame	Shen	2023.01.03							
		NEW DWG	Shen	2022.10.31							
	MARK	REVISION DESCRIPTION	SIGNATURE	DATE							
	1	2	3	4	5	6	7	8	9		