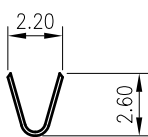
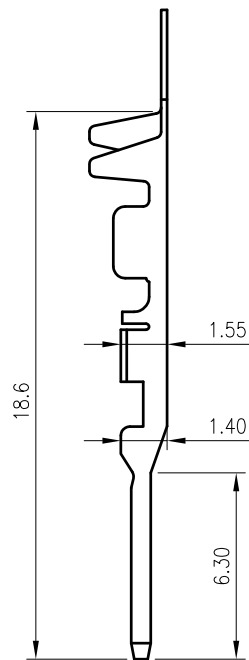
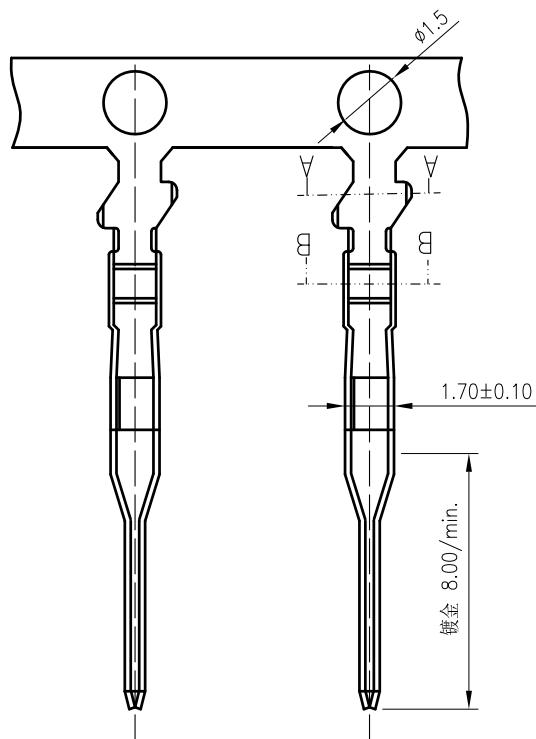
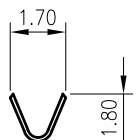


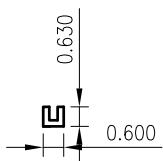
RoHS
COMPLIANT



SECTION A-A



SECTION B-B



SPECIFICATIONS

1. Current rating: 3A AC, DC
2. Voltage rating: 250V AC,DC
3. Temperature range: -40°C ~ +105°C
4. Insulation resistance: 1000MΩ Min.
5. Withstanding voltage: 1500V AC/ minute.
6. Contact resistance: 20mΩ Max.

Applicable Wires:

AWG#22~#28

Insulation O.D. : 1.70mm MAX

Material: Brass

Plating: Tin plated over nickel

Selective gold flash over nickel

Suitable KR2542 series housing

Q'ty/reel: 10,000 PCS



MARK

1

2

3

4

5

6

7

8

9

TOLERANCE

X.X ±0.30

X.XX ±0.20

X.XXX ±0.10

Angle ±2°

TITLE:
DP2.54 Male
Terminal

UNIT:mm

SCALE:N/A

DRAWN: Arvin 2020.03.05

CHECKED:

APPROVED:

SHEET: 1/1

PROJECTION

KONNRA 东莞市康瑞电子有限公司

DongGuan Konnra Electronics Co.,Ltd.

PART NO.: T2542MBB0101C

REV.: A2

DRAWING NO.: 2542TM101-C-S