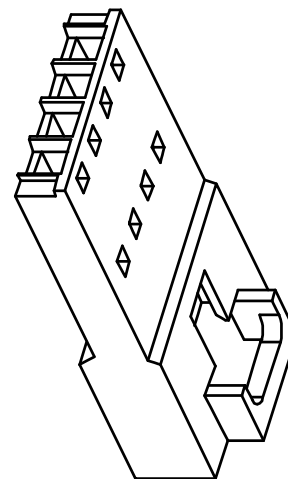
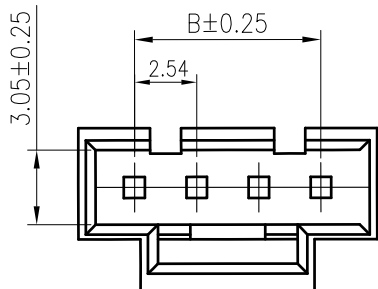
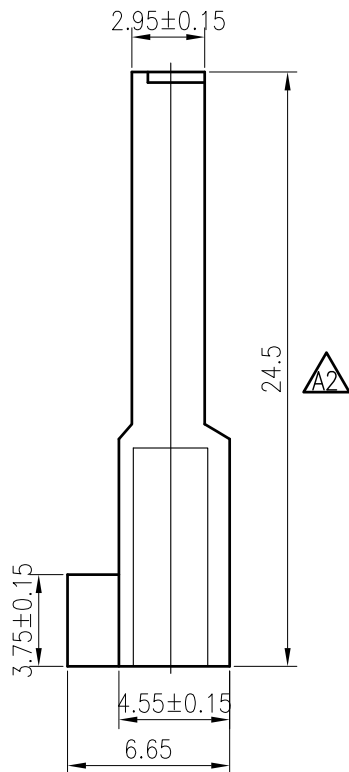
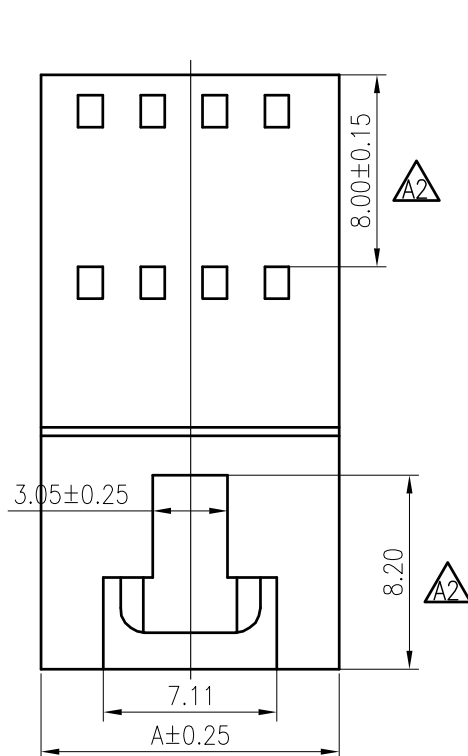


RoHS
COMPLIANT



SPECIFICATIONS

1. Current rating: 3A AC, DC
2. Voltage rating: 250V AC,DC
3. Temperature range: -40°C ~ +105°C
4. Insulation resistance: 1000MΩ Min.
5. Withstanding voltage: 1500V AC/ minute.
6. Contact resistance: 20mΩ Max.

Material: PA66 UL 94V-0
Suitable KR2541 series terminal
Mate with KR2541 series wafer

Ordering Code:

H2541F *** ** 01C

No.of Circuits

102:2,125:25

Insulator Material

Insulator Material

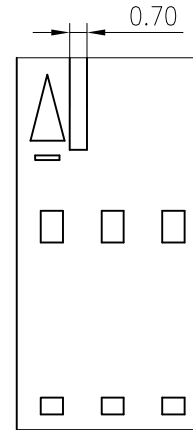
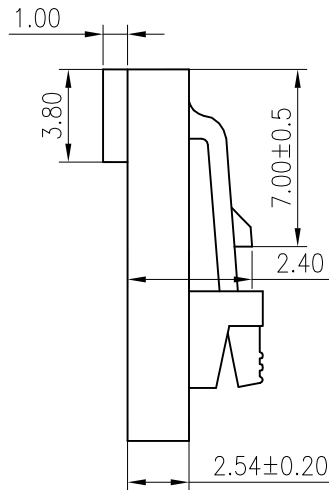
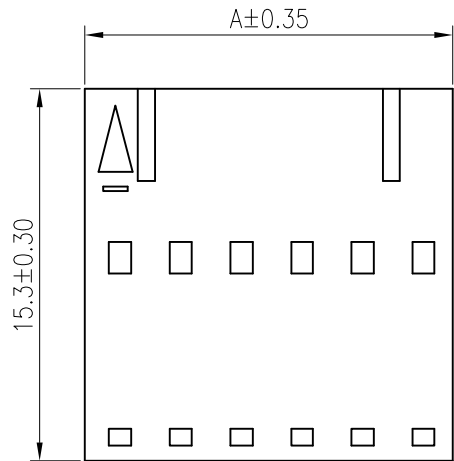
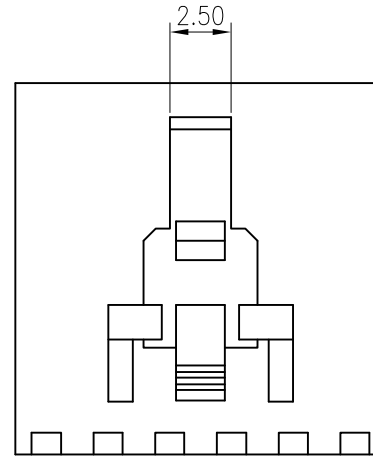
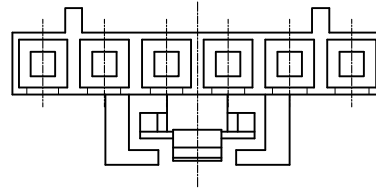
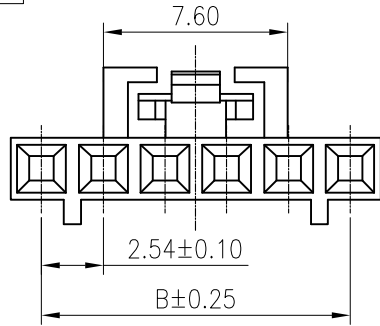
02:PA66 Black V0

Circuits	Dimensions		Circuits	Dimensions	
	A	B		A	B
2	7.11	2.54	14	37.59	33.02
3	9.65	5.08	15	40.13	35.56
4	12.19	7.62	16	42.67	38.10
5	14.73	10.16	17	45.21	40.64
6	17.27	12.70	18	47.75	43.18
7	19.81	15.24	19	50.29	45.72
8	22.35	17.78	20	52.83	48.26
9	24.89	20.32	21	55.37	50.80
10	27.43	22.86	22	57.91	53.34
11	29.97	25.40	23	60.45	55.88
12	32.51	27.94	24	62.99	58.42
13	35.05	30.48	25	65.53	60.96

A4				TOLERANCE	TITLE:	DRAWN: <i>Arvin 2020.11.03</i>	KONNRA 东莞市康瑞电子有限公司 DongGuan Konnra Electronics Co.,Ltd.
A3				X.X ±0.30	MX2.54 Ultra-thin	CHECKED:	
A2	Modify size	ZSZ	2022.01.12	X.XX ±0.20	Have Buckle Male	APPROVED:	

MARK	REVISION DESCRIPTION	SIGNATURE	DATE	Angle ±2°	UNIT:mm	SCALE:N/A	SHEET:1/1	PROJECTION	REV.:A2	DRAWING NO.:2541HF101-C-S
------	----------------------	-----------	------	-----------	---------	-----------	-----------	------------	---------	---------------------------

RoHS
COMPLIANT





SPECIFICATIONS

1. Current rating: 3A AC, DC
2. Voltage rating: 250V AC, DC
3. Temperature range: -40°C ~ +105°C
4. Insulation resistance: 1000MΩ Min.
5. Withstanding voltage: 1500V AC/ minute.
6. Contact resistance: 20mΩ Max.

Material: PA66 UL 94V-0
Suitable KR2541 series terminal
Mate with KR2541 series wafer
Ordering Code:

H2541M *** ** 01C

No. of Circuits 
104:4, 120:20
Insulator Material 
02:PA66 Black V0

Circuits	Dimensions		Circuits	Dimensions	
	A	B		A	B
2	5.08	2.54	12	30.48	27.94
3	7.62	5.08	13	33.02	30.48
4	10.16	7.62	14	35.56	33.02
5	12.70	10.16	15	38.10	35.56
6	15.24	12.70	16	40.64	38.10
7	17.78	15.24	17	43.10	40.64
8	20.32	17.78	18	45.64	43.10
9	22.86	20.32	20	50.72	48.18
10	25.40	22.86			
11	27.94	25.40			



MARK

REVISION DESCRIPTION

SIGNATURE

DATE

TOLERANCE

X.X ±0.30
X.XX ±0.20
X.XXX ±0.10
Angle ±2°

TITLE:
MX2.54 Ultra-thin
Have Buckle Female
Housing

UNIT:mm SCALE:N/A

DRAWN: Liujingtian 2020.5.13

CHECKED:

APPROVED:

SHEET: 1/1

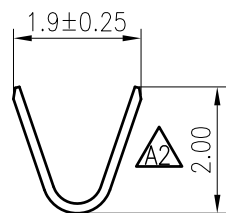
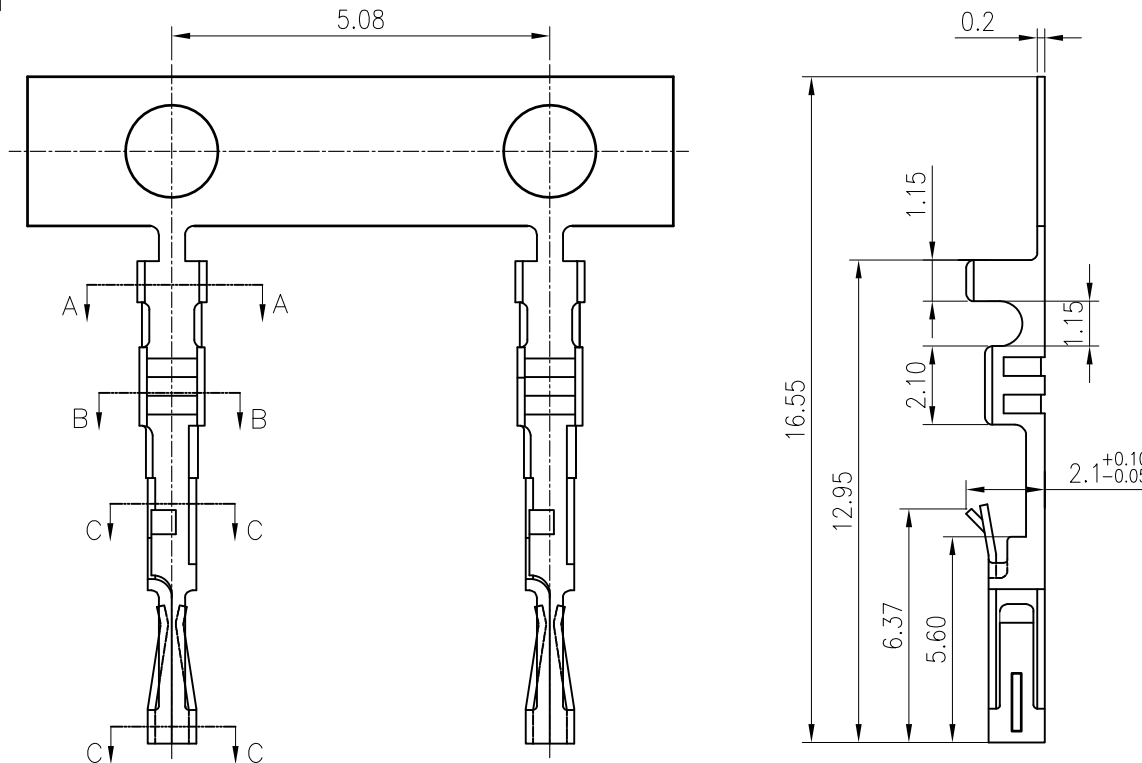
PROJECTION 

KONNRA 东莞市康瑞电子有限公司
DongGuan Konnra Electronics Co.,Ltd.

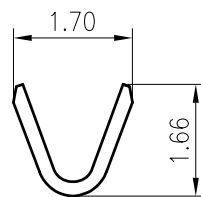
PART NO.: H2541M***0201C

REV.: A2 DRAWING NO.: 2541HM101-C-S

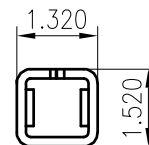
RoHS
COMPLIANT



SECTION A-A



SECTION B-B



SECTION C-C

SPECIFICATIONS

1. Current rating: 3A AC, DC
2. Voltage rating: 250V AC,DC
3. Temperature range: -40°C ~ +105°C
4. Insulation resistance: 1000MΩ Min.
5. Withstanding voltage: 1500V AC/ minute.
6. Contact resistance: 20mΩ Max.

Applicable Wires:

AWG#22~#26

Insulation O.D. : 1.63mm MAX

Material: Phosphor Bronze

Plating: Tin-Plated

Suitable KR2541 series housing

Q'ty/reel: 15,000 PCS

Ordering Code:

T2541FP *** 01C

T01: Tin plated

B01: Selective gold flash



Uniformly arrange the drawings

Arvin 2021.03.01

TOLERANCE
X.X ±0.30
X.XX ±0.20
X.XXX ±0.10
Angle ±2°

TITLE:
MX2.54 Ultra-thin
Have Buckle Male
Terminal

DRAWN: Liujingtian 2020.5.12

CHECKED:

APPROVED:

KONNRA 东莞市康瑞电子有限公司
DongGuan Konnra Electronics Co.,Ltd.

PART NO.: T2541FP***01C

MARK

REVISION DESCRIPTION

SIGNATURE

DATE

UNIT:mm

SCALE:N/A

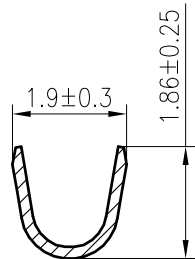
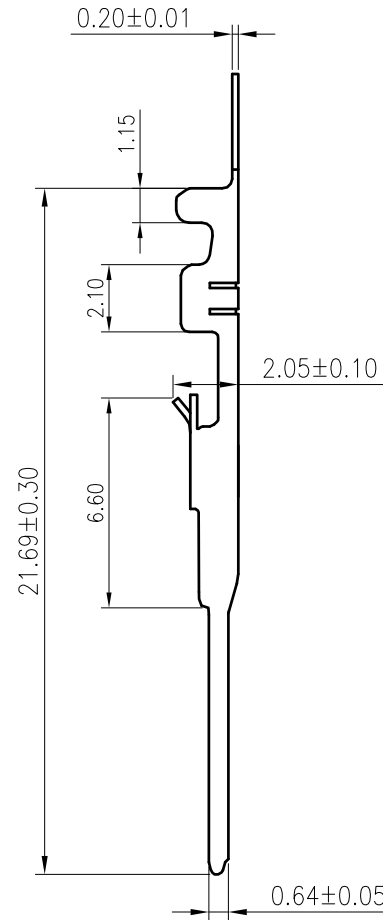
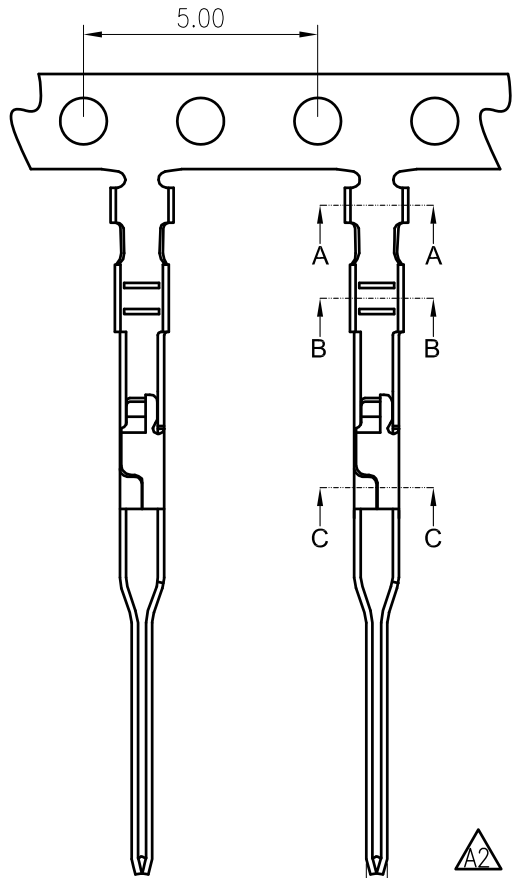
SHEET:1/1

PROJECTION

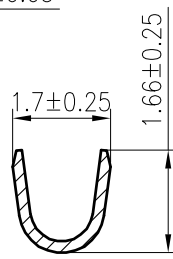
REV.:A2

DRAWING NO.:2541TF101-C-S

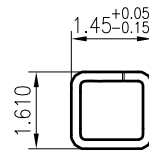
RoHS
COMPLIANT



SECTION A-A



SECTION B-B



SEC: C-C

SPECIFICATIONS

1. Current rating: 3A AC, DC
2. Voltage rating: 250V AC,DC
3. Temperature range: -40°C ~ +105°C
4. Insulation resistance: 1000MΩ Min.
5. Withstanding voltage: 1500V AC/ minute.
6. Contact resistance: 20mΩ Max.

Applicable Wires:

AWG#22~#26

Insulation O.D. : 1.60mm MAX

Material: Phosphor Bronze

Plating: Tin plated over nickel

Suitable KR2541 series housing

Q'ty/reel: 15,000 PCS



MARK

				TOLERANCE	TITLE:	DRAWN: <i>Arvin 2020.11.03</i>	KONNRA 东莞市康瑞电子有限公司 DongGuan Konnra Electronics Co.,Ltd.
				X.X ±0.30	MX2.54 Ultra-thin	CHECKED:	
				X.XX ±0.20	Have Buckle Female	APPROVED:	
	Modify 0.64±0.05 for 0.69±0.05	Arvin	2021.04.12	X.XXX ±0.10	Terminal		PART NO.: T2541MPT0101C

				Angle ±2°
--	--	--	--	-----------

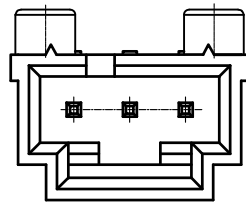
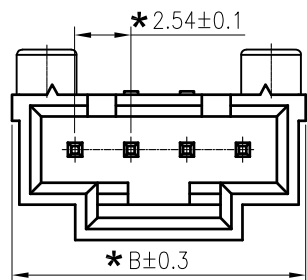
				UNIT:mm	SCALE:N/A	SHEET:1/1	PROJECTION
--	--	--	--	---------	-----------	-----------	------------

--	--	--	--	--	--	--	--

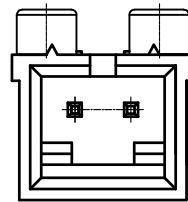
--	--	--	--	--	--	--	--

REV.:A2 DRAWING NO.:2541TM101-C-S

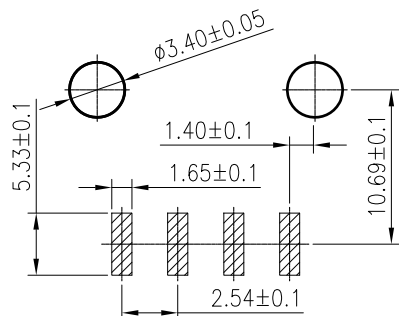
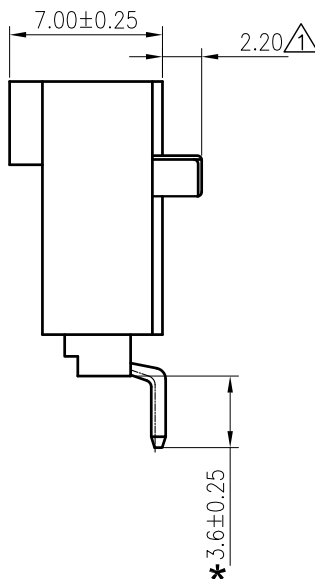
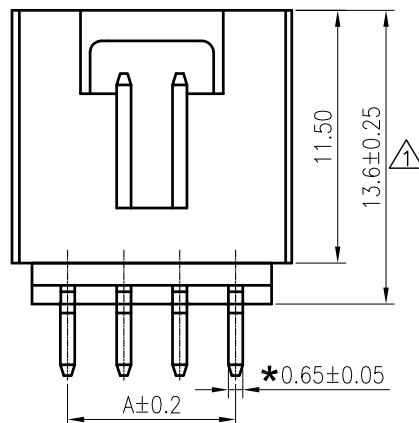
RoHS
COMPLIANT



△ 3 Circuit



△ 2 Circuit



Recommended P.C.Board Layout

SPECIFICATIONS

1. Current rating: 3A AC, DC
2. Voltage rating: 250V AC,DC
3. Temperature range: -40°C ~ +105°C
4. Insulation resistance: 1000MΩ Min.
5. Withstanding voltage: 1500V AC/ minute.
6. Contact resistance: 20mΩ Max.

Material:

Insulator: PA9T UL 94V-0
 Contact: Brass
 Plating: Gold flash plated over Nickel
 Mate with KR2541 series Housing
 Ordering Code:

C2541RS *** 12 G0101 R A

No.of Circuits
 102:2,112:12

Packing
 R:Reel&Tape
 T:Tube
 P:Bag

Circuits	Dimensions	
	A	B
2	2.54	8.89
3	5.08	11.43
4	7.62	13.97
5	10.16	16.51
6	12.70	19.05
7	15.24	21.59
8	17.78	24.13
9	20.32	26.67
10	22.86	29.21
11	25.40	31.75
12	27.94	34.29

TOLERANCE
 X.X ±0.30
 X.XX ±0.20
 X.XXX ±0.10
 Angle ±2°

TITLE:
 MX2.54 SMT 90°
 Ultra-thin Wafer
 Triangular Column

DRAWN: Liujingtian 2020.5.13

CHECKED:

APPROVED:

UNIT:mm SCALE:N/A

SHEET:1/1

PROJECTION

KONNRA 东莞市康瑞电子有限公司
 DongGuan Konnra Electronics Co.,Ltd.

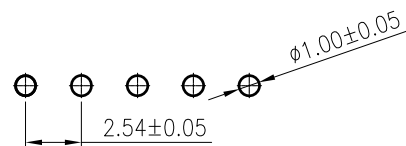
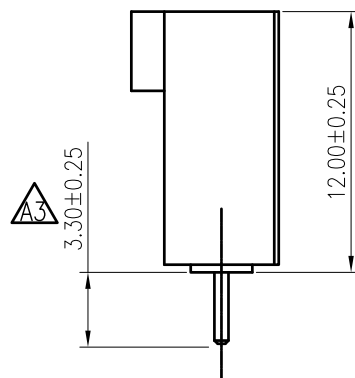
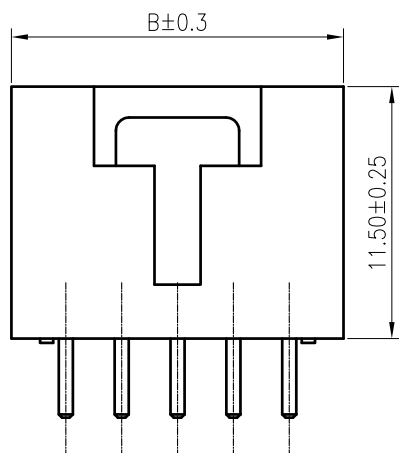
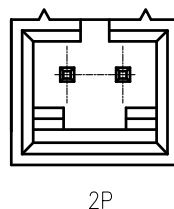
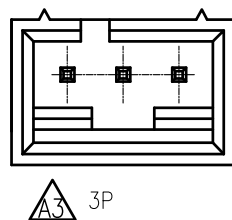
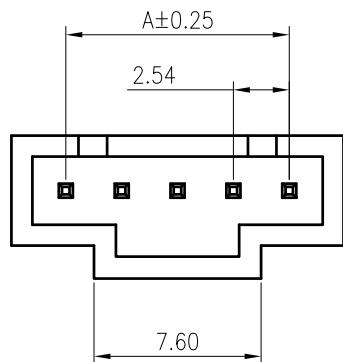
PART NO.:C2541RS***12G0101*A

REV.:A2 DRAWING NO.:2541WRS101-A-S



MARK

RoHS
COMPLIANT



Recommended P.C.Board Layout

SPECIFICATIONS

1. Current rating: 3A AC, DC
2. Voltage rating: 250V AC,DC
3. Temperature range: -40°C ~ +105°C
4. Insulation resistance: 1000MΩ Min.
5. Withstanding voltage: 1500V AC/ minute.
6. Contact resistance: 20mΩ Max.

Material:

Insulator: PA66 UL 94V-0

Contact: Brass

Plating: Gold flash plated over Nickel
Mate with KR2541 series Housing

Ordering Code:

C2541VD *** 02 G01 01 PA

No. of Circuits
102:2,120:20



Circuits	Dimensions		Circuits	Dimensions	
	A	B		A	B
2	2.54	7.62	12	27.94	33.02
3	5.08	10.16	13	30.48	35.56
4	7.62	12.70	14	33.02	38.10
5	10.16	15.24	15	35.56	40.64
6	12.70	17.78	16	38.10	43.18
7	15.24	20.32	17	40.64	45.72
8	17.78	22.86	18	43.18	48.26
9	20.32	25.40	19	45.72	50.80
10	22.86	27.94	20	48.26	53.34
11	25.40	30.48			

TOLERANCE
X.X ±0.30
X.XX ±0.20
X.XXX ±0.10
Angle ±2°

TITLE:
MX2.54 DIP 180°
Ultra-thin Wafer

DRAWN: Shen 2022.01.13

CHECKED:

APPROVED:

KONNRA 东莞市康瑞电子有限公司
DongGuan Konnra Electronics Co.,Ltd.

PART NO.: C2541VD***02G0101PA

REV.: A4 DRAWING NO.: 2541WVD101-A-S



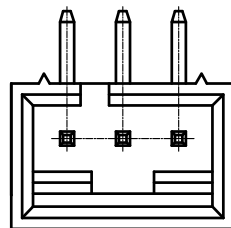
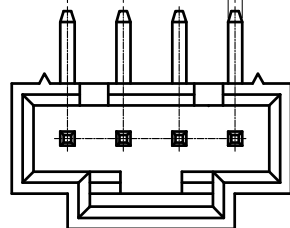
MARK

REVISION DESCRIPTION SIGNATURE DATE

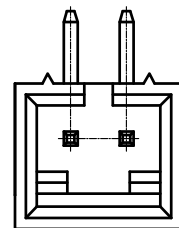
UNIT:mm SCALE:N/A SHEET:1/1 PROJECTION

RoHS
COMPLIANT

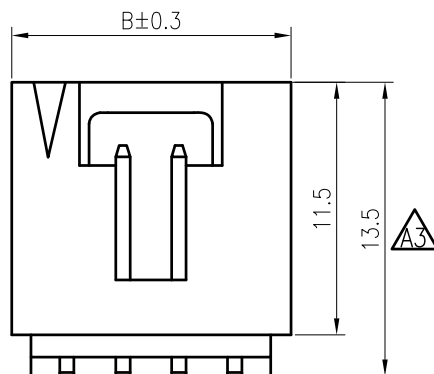
$A \pm 0.2$
 2.54 ± 0.1 0.64 ± 0.05



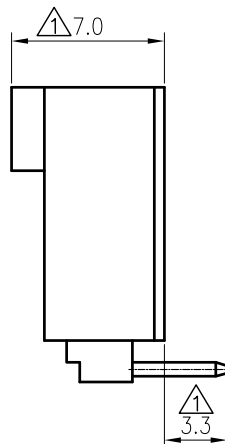
△ 3P



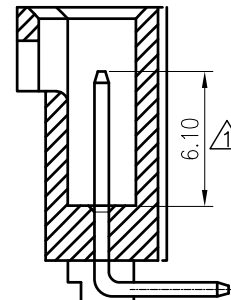
2P



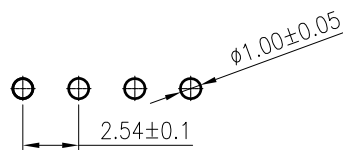
△ A3



△ 3.3



△ 6.10



Recommended P.C.Board Layout

SPECIFICATIONS

1. Current rating: 3A AC, DC
2. Voltage rating: 250V AC,DC
3. Temperature range: -40°C ~ +105°C
4. Insulation resistance: 1000MΩ Min.
5. Withstanding voltage: 1500V AC/ minute.
6. Contact resistance: 20mΩ Max.

Material:

Insulator: PA66 UL 94V-0

Contact: Brass

Plating: Gold flash plated over Nickel
Mate with KR2541 series Housing

Ordering Code:

C2541RD *** 02 G01 01 PA

└─ No. of Circuits
102:2,120:20

△ A3

Circuits	Dimensions		Circuits	Dimensions	
	A	B		A	B
2	2.54	7.62	12	27.94	33.02
3	5.08	10.16	13	30.48	35.56
4	7.62	12.70	14	33.02	38.10
5	10.16	15.24	15	35.56	40.64
6	12.70	17.78	16	38.10	43.18
7	15.24	20.32	17	40.64	45.72
8	17.78	22.86	18	43.18	48.26
9	20.32	25.40	19	45.72	50.80
10	22.86	27.94	20	48.26	53.34
11	25.40	30.48			

TOLERANCE

X.X ±0.30
X.XX ±0.20
X.XXX ±0.10
Angle ±2°

TITLE:
MX2.54 DIP 90°
Ultra-thin Wafer

DRAWN: Shen 2022.01.13

CHECKED:

APPROVED:

KONNRA 东莞市康瑞电子有限公司
DongGuan Konnra Electronics Co.,Ltd.

PART NO.: C2541RD***02G0101PA

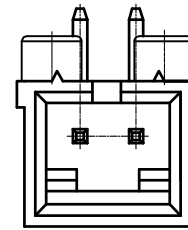
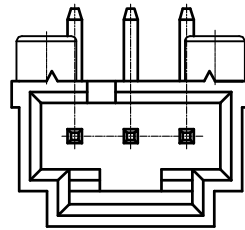
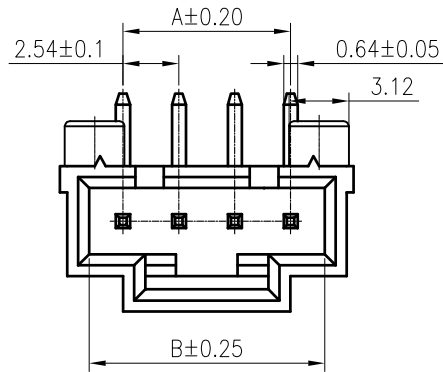
REV.: A4 **DRAWING NO.:** 2541WRD101-A-S

△ A4 Uniformly arrange the drawings Shen 2022.01.13

MARK **REVISION DESCRIPTION** **SIGNATURE** **DATE**

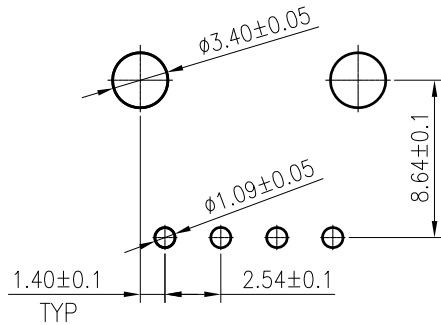
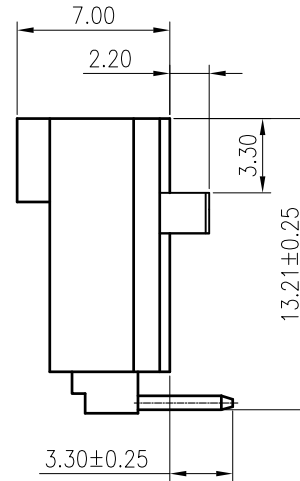
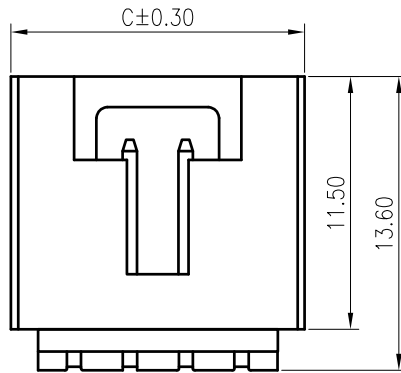
UNIT: mm **SCALE:** N/A **SHEET:** 1/1 **PROJECTION:**

RoHS
COMPLIANT



3 Circuit

2 Circuit



Recommended P.C.Board Layout

SPECIFICATIONS

1. Current rating: 3A AC, DC
2. Voltage rating: 250V AC,DC
3. Temperature range: -40°C ~ +105°C
4. Insulation resistance: 1000MΩ Min.
5. Withstanding voltage: 1500V AC/ minute.
6. Contact resistance: 20mΩ Max.

Material:

Insulator: PA9T UL 94V-0

Contact: Brass

Plating: Gold flash plated over Nickel

Mate with KR2541 series Housing

Ordering Code:

C2541RD *** 12 G01 02 TA

No.of Circuits

102:2,112:12

Circuits	Dimensions		
	A	B	C
2	2.54	5.58	8.89
3	5.08	8.13	11.43
4	7.62	10.67	13.97
5	10.16	13.21	16.51
6	12.70	15.75	19.05
7	15.24	18.29	21.59
8	17.78	20.83	24.13
9	20.32	23.37	26.67
10	22.86	25.91	29.21
11	25.40	28.45	31.75
12	27.94	30.99	34.29

TOLERANCE
X.X ±0.30
X.XX ±0.20
X.XXX ±0.10
Angle ±2°

TITLE:
MX2.54 DIP 90°
Ultra-thin Wafer
Triangular Column

DRAWN: Liujingtian 2020.5.13

CHECKED:

APPROVED:

UNIT:mm SCALE:N/A

SHEET:1/1

PROJECTION

KONNRA 东莞市康瑞电子有限公司
DongGuan Konnra Electronics Co.,Ltd.

PART NO.:C2541RD***12G0102TA

REV.:A2

DRAWING NO.:2541WRD102-A-S



MARK

MARK	REVISION DESCRIPTION	SIGNATURE	DATE
		LJT	2020.05.13