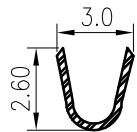
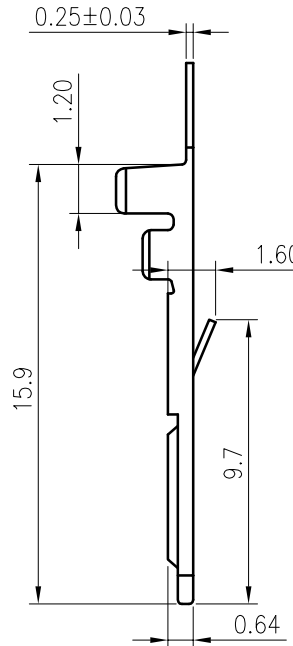
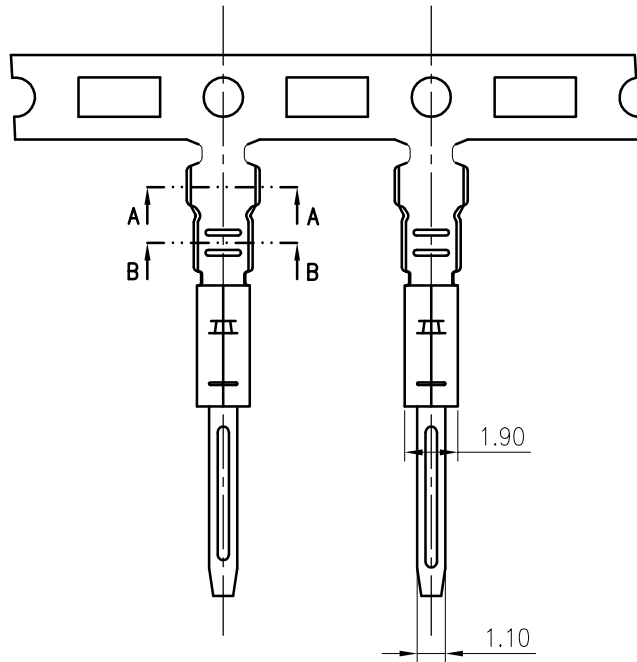
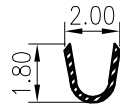


RoHS  
COMPLIANT



SECTION A-A



SECTION B-B

**SPECIFICATIONS**

1. Current rating: 3A AC, DC
2. Voltage rating: 250V AC,DC
3. Temperature range: -40°C ~ +105°C
4. Insulation resistance: 500MΩ Min.
5. Withstanding voltage: 1500V AC/ minute.
6. Contact resistance: 10mΩ Max.

**Applicable Wires:**

AWG#22~#28

Insulation O.D. : 1.60mm MAX

Material: Phosphor Bronze

Plating: Tin plated over nickel

Suitable KR2507 series female housing

Q'ty/reel: 8,000 PCS

F					<b>TOLERANCE</b> X.X ±0.30 X.XX ±0.20 X.XXX ±0.10 Angle ±2°	<b>TITLE:</b> SM2.5 Male Terminal	DRAWN: Liujingtian 2020.5.08		KONNRA 东莞市康瑞电子有限公司		
		Uniformly arrange the drawings	LJT	2020.05.08			CHECKED:		DongGuan Konnra Electronics Co.,Ltd.		
	<b>MARK</b>	<b>REVISION DESCRIPTION</b>	<b>SIGNATURE</b>	<b>DATE</b>		<b>UNIT: mm</b>	<b>SCALE: N/A</b>	<b>SHEET: 1/1</b>	<b>PROJECTION</b>	<b>REV. : A2</b>	<b>DRAWING NO. : 2507TM101-C-S</b>
	1	2	3	4	5	6	7	8	9		