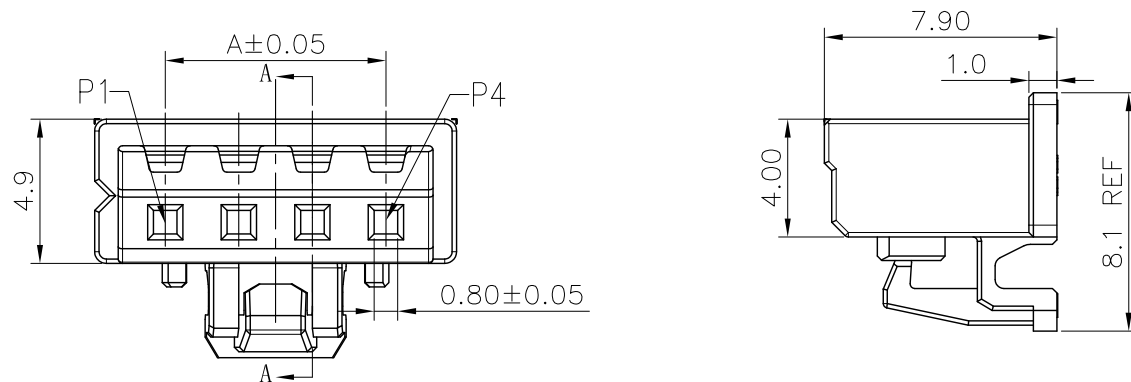


RoHS
COMPLIANT



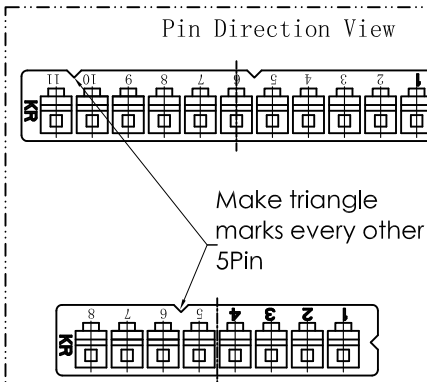
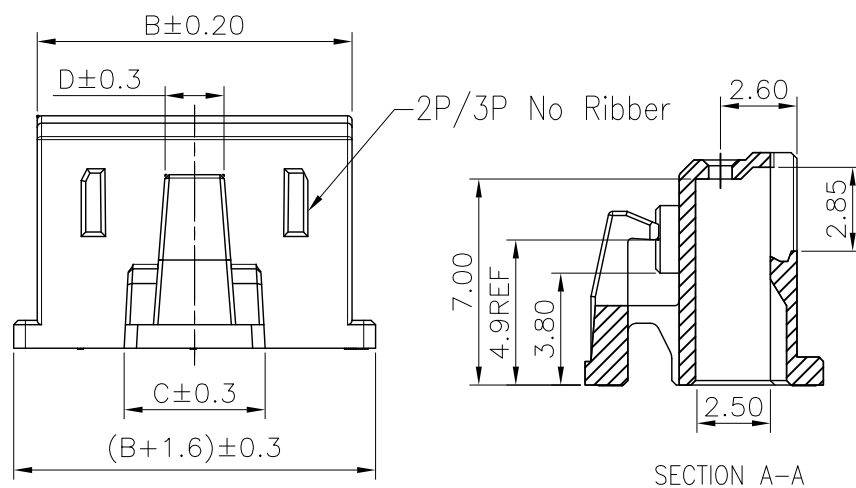
◆ SPECIFICATIONS

- Current rating: 3A AC, DC
- Voltage rating: 250V AC, DC
- Temperature range: -40°C ~ +105°C
- Insulation resistance: 1000MΩ Min.
- Withstanding voltage: 1000V AC/ minute.
- Contact resistance: 20mΩ Max.

Material: Nylon 66 UL 94V-0

Circuits: 2~16

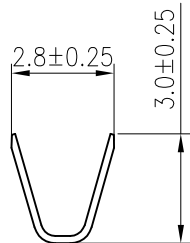
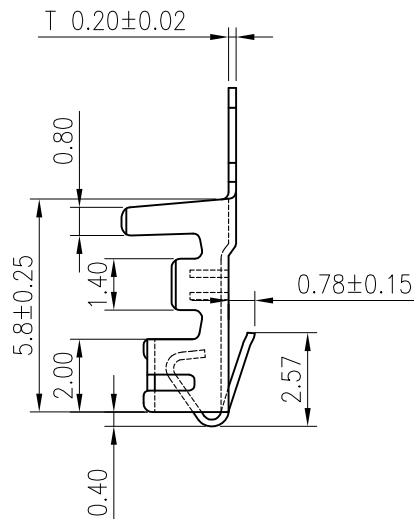
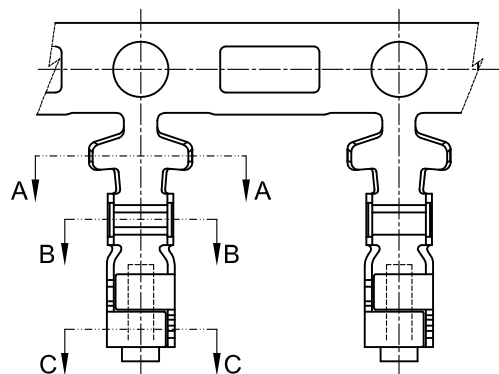
Suitable: KR2501 series Terminal



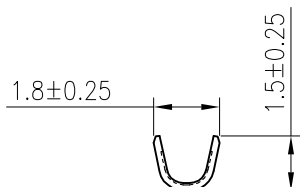
Pin No.	Dimensions			
	A	B	C	D
002	2.50	5.70	3.50	1.45
003	5.00	8.20	4.00	1.95
004	7.50	10.70	4.80	2.00
005	10.00	13.20	7.30	4.50
006	12.50	15.70	9.80	7.00
007	15.00	18.20	9.80	7.00
008	17.50	20.70	9.80	7.00
009	20.00	23.20	9.80	7.00
010	22.50	25.70	9.80	7.00
011	25.00	28.20	9.80	7.00
012	27.50	30.70	9.80	7.00
013	30.00	33.20	9.80	7.00
014	32.50	35.70	9.80	7.00
015	35.00	38.20	9.80	7.00
016	37.50	40.70	9.80	7.00

F		Modify Size 2P 3.00 to 3.50(ECN20230107)	ZSZ	2023.3.16	TOLERANCE X.X ±0.30 X.XX ±0.20 X.XXX ±0.10 Angle ±2°	TITLE: XH 2.5 Have Buckle Housing	DRAWN: Shen 2021.10.27		KONNRA 东莞市康瑞电子有限公司 DongGuan Konnra Electronics CO.,LTD
		Add 2P/3P No Ribber Remark	ZZN	2021.10.27			CHECKED:		
		Uniformly arrange the drawings	Shen	2021.07.19			APPROVED:		
MARK	REVISION DESCRIPTION	SIGNATURE	DATE	UNIT:mm	SCALE:1:1	SHEET:1/1	PROJECTION	VER.:A5	DRAWING NO.:2502H01-C-S

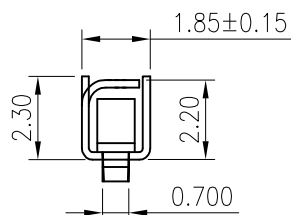
RoHS
COMPLIANT



SECTION A-A



SECTION B-B



SECTION C-C

SPECIFICATIONS

1. Current rating: 3A AC, DC
2. Voltage rating: 250V AC, DC
3. Temperature range: -40°C ~ +105°C
4. Insulation resistance: 1000MΩ/ min.
5. Withstanding voltage: 1000V AC/ minute.
6. Contact resistance: 20mΩ/ max.

Material: Phosphor Bronze/Tin plated over nickel
 Applicable wires: AWG #28~#22
 Insulation O.D 1.2~1.8mm Max.
 Suitable KR2501 series housing
 Q'ty/reel: 9,000PCS



Uniformly arrange the drawings

ZSZ

2021.12.02



Change the part number and frame format

Arvin

2020.01.03



MARK

REVISION DESCRIPTION

SIGNATURE

DATE

TOLERANCE

X.X ±0.30

X.XX ±0.20

X.XXX ±0.10

Angle ±2°

TITLE:

XH2.5 Terminal

DRAWN: Arvin 2021.01.26

CHECKED:

APPROVED:

UNIT:mm

SCALE:N/A

SHEET:1/1

PROJECTION

VER.:A3

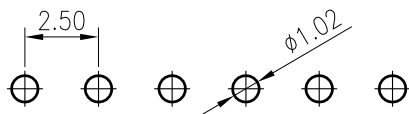
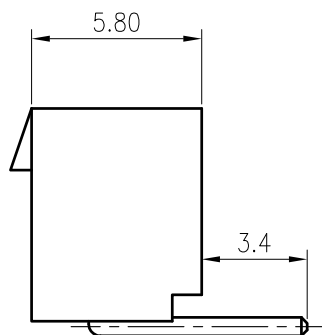
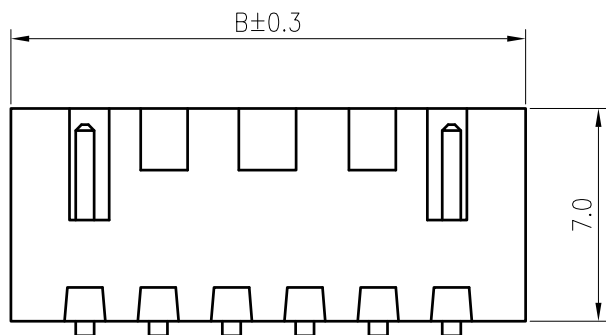
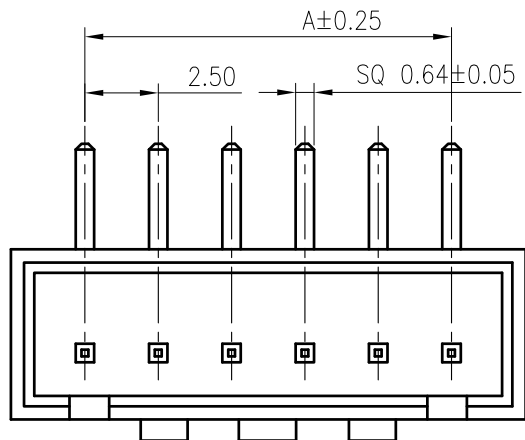
DRAWING NO.:2501T01-F-S

KONNRA 东莞市康瑞电子有限公司

DongGuan Konnra Electronics CO.,LTD

PART NO.:T25010PT0101F

RoHS
COMPLIANT



Recommended P.C.B. Layout
Total tolerance: ±0.05mm

SPECIFICATIONS

1. Current rating: 3A AC, DC
2. Voltage rating: 250V AC, DC
3. Temperature range: -40°C ~ +105°C
4. Insulation resistance: 1000MΩ/ min.
5. Withstanding voltage: 1000V AC/ minute.
6. Contact resistance: 20mΩ/ max.

Material:

Insulator: PA66 UL94 V-2 or v-0

Contact: Brass

Plating: Tin plated over Nickel

Mate with KR2502 series Housing

Ordering Code:

C2502RD xxx 01 T01 01PB

No. of Circuits

102:02, 116:16

Plating

T01: Tin plated

Insulator Material

03: PA66 White V2

20: PA66 Red V0

21: PA66 Blue V0

22: PA66 Beige V0

31: PA66 Green V0

Circuits	Dimensions		Circuits	Dimensions	
	A	B		A	B
2	2.50	7.50	10	22.50	27.50
3	5.00	10.00	11	25.00	30.00
4	7.50	12.50	12	27.50	32.50
5	10.00	15.00	13	30.00	35.00
6	12.50	17.50	14	32.50	37.50
7	15.00	20.00	15	35.00	40.00
8	17.50	22.50	16	37.50	42.50
9	20.00	25.00	18	42.50	47.50

TOLERANCE

X.X ±0.30

X.XX ±0.20

X.XXX ±0.10

Angle ±2°

TITLE:

XH2.5 Have buckle

DIP 90° Wafer

DRAWN: Shen 2022.01.13

CHECKED:

APPROVED:

KONNRA 东莞市康瑞电子有限公司

DongGuan Konnra Electronics Co., Ltd.

PART NO.: C2502RDxxxxxT0101PB



Uniformly arrange the drawings

Shen

2022.01.13

MARK

REVISION DESCRIPTION

SIGNATURE

DATE

UNIT: mm

SCALE: N/A

SHEET: 1/1

PROJECTION

REV.: A4

DRAWING NO.: 2502WRD101-B-S

1

2

3

4

5

6

7

8

9

RoHS
COMPLIANT

SPECIFICATIONS

1. Current rating: 3A AC, DC
2. Voltage rating: 250V AC, DC
3. Temperature range: -40°C ~ +105°C
4. Insulation resistance: 1000MΩ/ min.
5. Withstanding voltage: 1000V AC/ minute.
6. Contact resistance: 20mΩ/ max.

Material:

Insulator: PA66 UL94 V-2 or v-0

Contact: Brass

Plating: Tin plated over Nickel

Mate with KR2502 series Housing

Ordering Code:

C2502VD xxx 01 T01 01PB

No. of Circuits

102:02, 116:16

Plating

T01: Tin plated

Insulator Material

03: PA66 White V2

20: PA66 Red V0

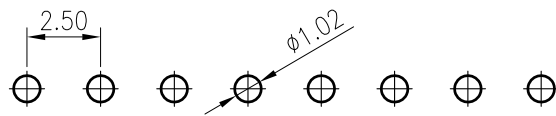
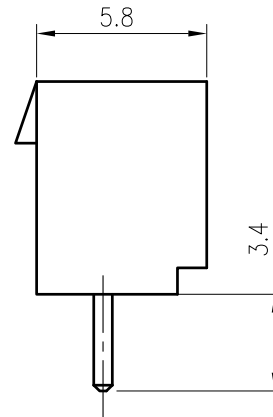
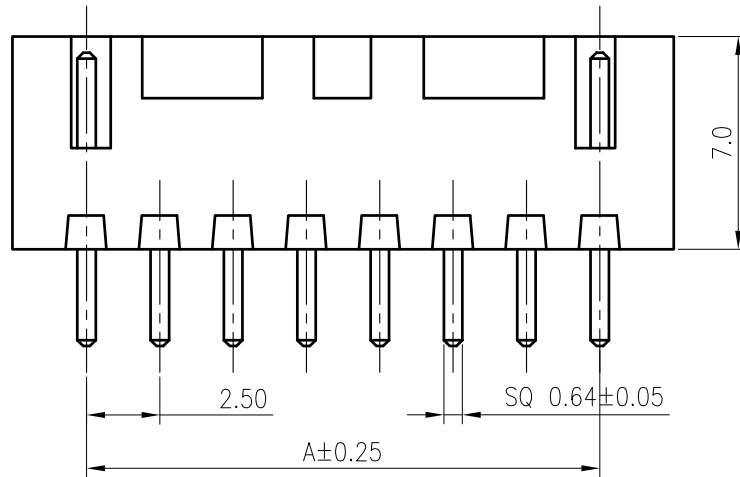
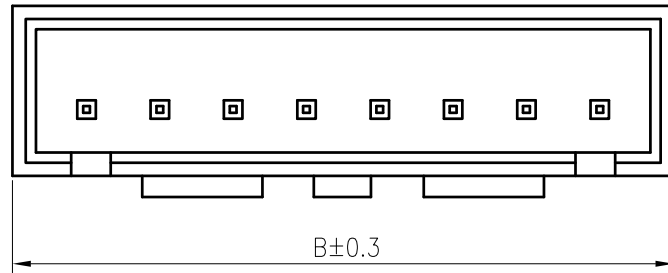
21: PA66 Blue V0

22: PA66 Beige V0

31: PA66 Green V0

38: PA66 Blue V2

45: PA66 Yellow V2



Recommended P.C.B. Layout
Total tolerance: ±0.05mm

Circuits	Dimensions		Circuits	Dimensions	
	A	B		A	B
2	2.50	7.50	12	27.50	32.50
3	5.00	10.00	13	30.00	35.00
4	7.50	12.50	14	32.50	37.50
5	10.00	15.00	15	35.00	40.00
6	12.50	17.50	16	37.50	42.50
7	15.00	20.00	17	40.00	45.00
8	17.50	22.50	18	42.50	47.50
9	20.00	25.00	19	45.00	50.00
10	22.50	27.50	20	47.50	52.50
11	25.00	30.00			

TOLERANCE
X.X ±0.30
X.XX ±0.20
X.XXX ±0.10
Angle ±2°

TITLE:
XH2.5 Have buckle
DIP 180° Wafer

DRAWN: *Arwin 2020.05.29*

CHECKED:

APPROVED:

KONNRA 东莞市康瑞电子有限公司
DongGuan Konnra Electronics Co., Ltd.

PART NO.: C2502VDxxxxxT0101PB



Uniformly arrange the drawings

ZSZ

2021.12.27

MARK

REVISION DESCRIPTION

SIGNATURE

DATE

UNIT: mm

SCALE: N/A

SHEET: 1/1

PROJECTION

REV.: A5

DRAWING NO.: 2502WVD101-B-S

RoHS
COMPLIANT

SPECIFICATIONS

1. Current rating: 3A AC, DC
2. Voltage rating: 250V AC, DC
3. Temperature range: -40°C ~ +105°C
4. Insulation resistance: 1000MΩ/ min.
5. Withstanding voltage: 1000V AC/ minute.
6. Contact resistance: 20mΩ/ max.

Material:

Insulator: PA66 UL94 V-2 or v-0

Contact: Brass

Plating: Tin plated over Nickel

Mate with KR2502 series Housing

Ordering Code:

C2502VD xxx 01 T01 01PB

No. of Circuits

102:02, 116:16

Plating

T01: Tin plated

Insulator Material

03: PA66 White V2

20: PA66 Red V0

21: PA66 Blue V0

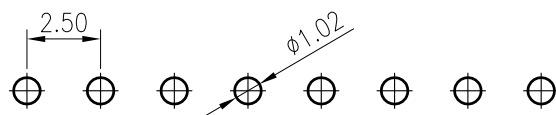
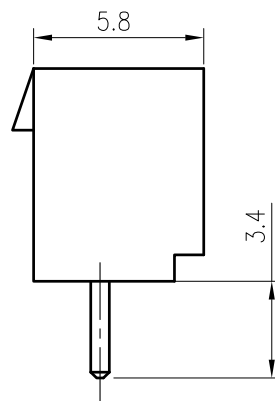
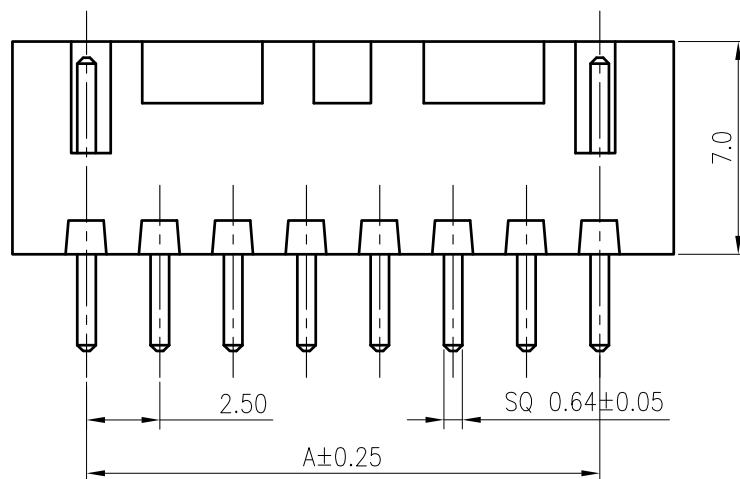
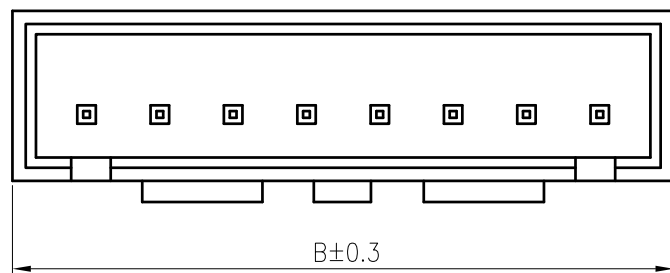
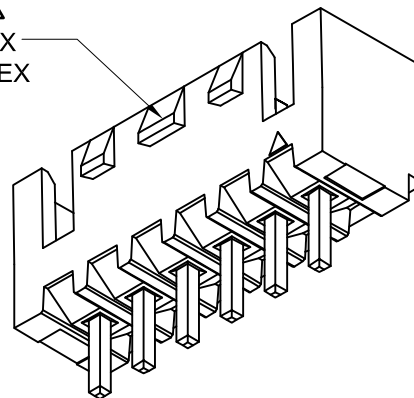
22: PA66 Beige V0

31: PA66 Green V0

38: PA66 Blue V2

45: PA66 Yellow V2

A6
2P~5P: 1 CONVEX
6P~20P: 3 CONVEX



Recommended P.C.B. Layout
Total tolerance: ±0.05mm

Circuits	Dimensions		Circuits	Dimensions	
	A	B		A	B
2	2.50	7.50	12	27.50	32.50
3	5.00	10.00	13	30.00	35.00
4	7.50	12.50	14	32.50	37.50
5	10.00	15.00	15	35.00	40.00
6	12.50	17.50	16	37.50	42.50
7	15.00	20.00	17	40.00	45.00
8	17.50	22.50	18	42.50	47.50
9	20.00	25.00	19	45.00	50.00
10	22.50	27.50	20	47.50	52.50
11	25.00	30.00			

F	A6	Correct view	ZSZ	2023.04.17	TOLERANCE X.X ±0.30 X.XX ±0.20 X.XXX ±0.10 Angle ±2°	TITLE: XH2.5 Have buckle DIP 180° Wafer	DRAWN: <i>Arwin 2020.05.29</i>	KONNRA 东莞市康瑞电子有限公司 DongGuan Konnra Electronics Co.,Ltd.		
	A5	Uniformly arrange the drawings	ZSZ	2021.12.27			CHECKED:			
MARK	REVISION DESCRIPTION	SIGNATURE	DATE	UNIT:mm	SCALE:N/A	SHEET:1/1	PROJECTION	REV.:A6	PART NO.:C2502VDxxxxxT0101PB	
1	2	3	4	5	6	7	8	DRAWING NO.:2502WVD101-B-S		

RoHS
COMPLIANT

◆ SPECIFICATIONS

- Current rating: 3A AC, DC
- Voltage rating: 250V AC, DC
- Temperature range: -40°C ~ +105°C
- Insulation resistance: 1000MΩ Min.
- Withstanding voltage: 1000V AC/ minute.
- Contact resistance: 20mΩ Max.

Material:

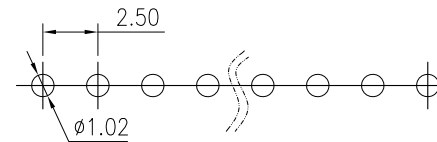
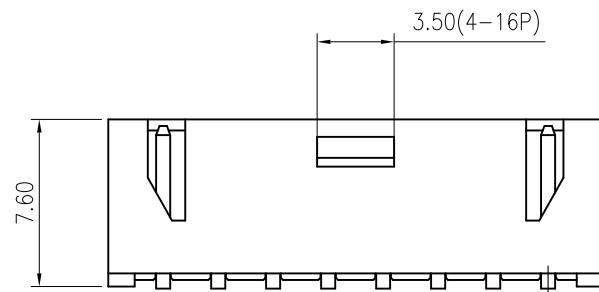
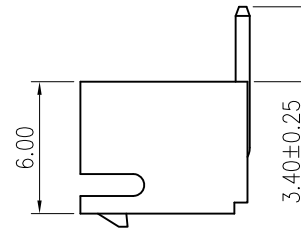
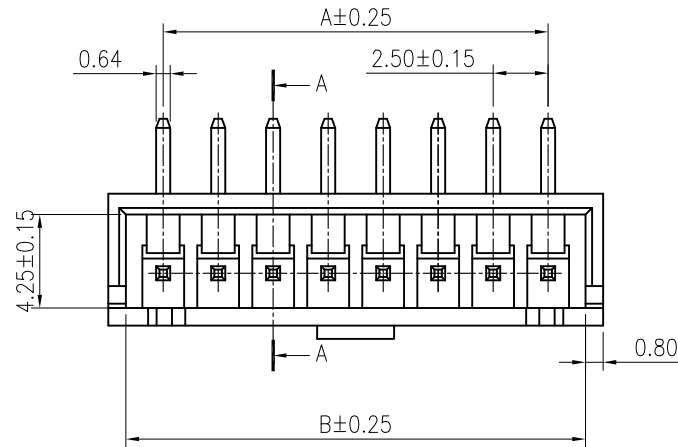
Insulator: PA9T UL 94V-0
Contact: Brass
Plating: Tin plated over Nickel
Circuits: 2~16
Mates: KR2502 series Housing

Ordering code:

C2502RD1**XXT0101PA

102: 2P
116: 16P

11: PA9T Natural
12: PA9T Black



Recommended P.C.B. Layout
Total tolerance: ±0.05mm

PIN NO.	DIMENSIONS	
	A	B
02P	2.50	5.90
03P	5.00	8.40
04P	7.50	10.90
05P	10.00	13.40
06P	12.50	15.90
07P	15.00	18.40
08P	17.50	20.90
09P	20.00	23.40
10P	22.50	25.90
11P	25.00	28.40
12P	27.50	30.90
13P	30.00	33.40
14P	32.50	35.90
15P	35.00	38.40
16P	37.50	40.90

F		Add PA9T Black	ZZN	2022.05.13	TOLERANCE X.X ±0.30 X.XX ±0.20 X.XXX ±0.10 Angle ±2°	TITLE: XH2.5 Have buckle DIP 90° WF	DRAWN: <i>ZZN 2022.05.13</i>	KONNRA 东莞市康瑞电子有限公司 DongGuan Konnra Electronics Co.,Ltd.	
		Uniformly arrange the drawings	ZSZ	2021.09.23					
		Change the part number and frame format	Arvin	2020.01.16					
LTR	REVISION DESCRIPTION	SIGNATURE	DATE	UNIT:mm	SCALE:N/A	SHEET:1/1	PROJECTION	VER.:A3	DRAWING NO.:2502WRD101-A-S

RoHS
COMPLIANT

◆SPECIFICATIONS

- Current rating: 3A AC, DC
- Voltage rating: 250V AC,DC
- Temperature range: -40°C ~ +105°C
- Insulation resistance: 1000MΩ Min.
- Withstanding voltage: 1000V AC/ minute.
- Contact resistance: 20m Ω Max.

Material:

Insulator: PA9T UL 94V-0
Contact: Brass

Plating: Tin plated over Nickel

Circuits: 2~16

Mates: KR2502 series Housing

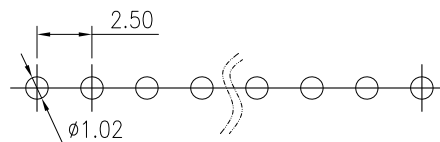
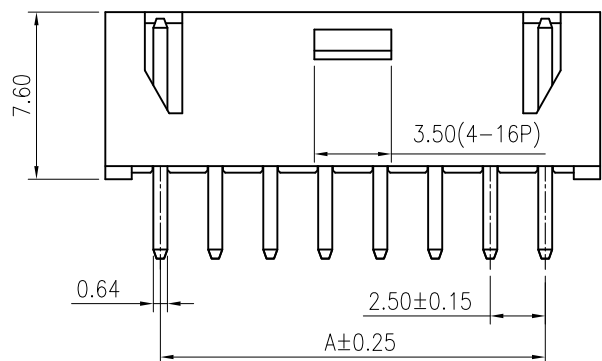
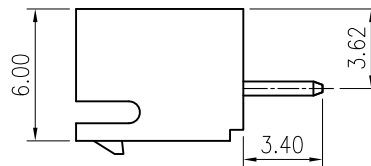
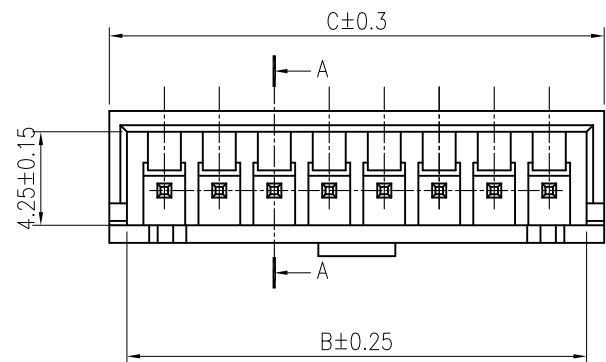
Ordering code:

C2502VD1**11T0101PA

102: 2P

116: 16P

11: PA9T Natural



Recommended P.C.B. Layout
Total tolerance:±0.05mm

PIN NO.	DIMENSIONS		
	A	B	C
02P	2.50	5.90	7.50
03P	5.00	8.40	10.00
04P	7.50	10.90	12.50
05P	10.00	13.40	15.00
06P	12.50	15.90	17.50
07P	15.00	18.40	20.00
08P	17.50	20.90	22.50
09P	20.00	23.40	25.00
10P	22.50	25.90	27.50
11P	25.00	28.40	30.00
12P	27.50	30.90	32.50
13P	30.00	33.40	35.00
14P	32.50	35.90	37.50
15P	35.00	38.40	40.00
16P	37.50	40.90	42.50

LTR	REVISION DESCRIPTION	SIGNATURE	DATE
A4	Uniformly arrange the drawings	ZSZ	2021.09.23
A3	Modify Size 3.60 → 3.40	he	2020.09.22

TOLERANCE
X.X ±0.30
X.XX ±0.20
X.XXX ±0.10
Angle ±2°

TITLE:
XH2.5 Have buckle
DIP 180° WF
UNIT:mm
SCALE:N/A

DRAWN: <i>Arwin 2021.09.23</i>
CHECKED:
APPROVED:
SHEET: 1/1
PROJECTION

KONNRA 东莞市康瑞电子有限公司
DongGuan Konnra Electronics Co.,Ltd.
PART NO.: C2502VD1**11T0101PA
VER.: A4
DRAWING NO.: 2502WVD101-A-S

RoHS
COMPLIANT

◆SPECIFICATIONS

- Current rating: 3A AC, DC
- Voltage rating: 250V AC,DC
- Temperature range: -40°C ~ +105°C
- Insulation resistance: 1000MΩ Min.
- Withstanding voltage: 1000V AC/ minute.
- Contact resistance: 20m Ω Max.

Material:

Insulator: PA9T UL 94V-0
Contact: Brass
Plating: Tin plated over Nickel
Circuits: 2~16
Mates: KR2502 series Housing

Ordering code:

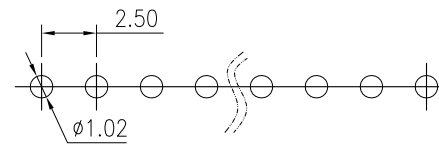
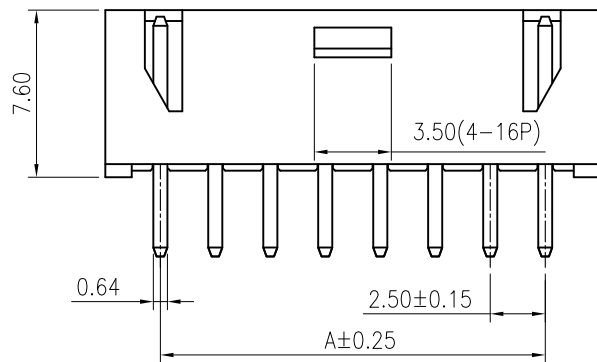
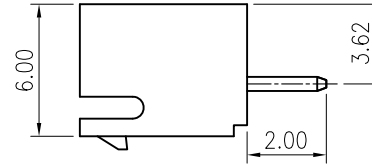
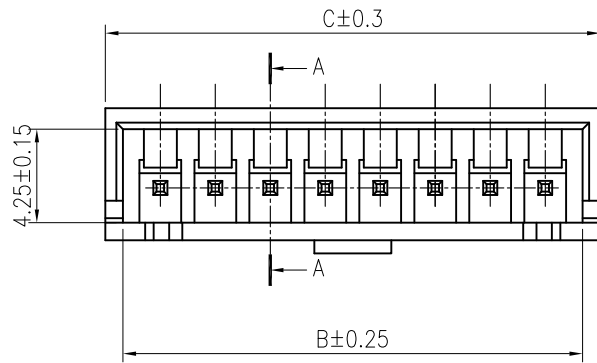
C2502VD1**11T0102PA

102: 2P

116: 16P

11: PA9T Natural

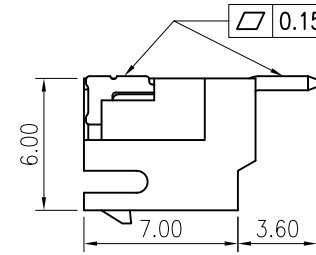
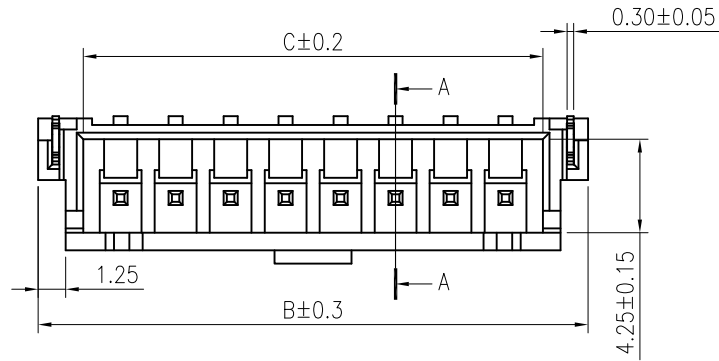
PIN NO.	DIMENSIONS		
	A	B	C
02P	2.50	5.90	7.50
03P	5.00	8.40	10.00
04P	7.50	10.90	12.50
05P	10.00	13.40	15.00
06P	12.50	15.90	17.50
07P	15.00	18.40	20.00
08P	17.50	20.90	22.50
09P	20.00	23.40	25.00
10P	22.50	25.90	27.50
11P	25.00	28.40	30.00
12P	27.50	30.90	32.50
13P	30.00	33.40	35.00
14P	32.50	35.90	37.50
15P	35.00	38.40	40.00
16P	37.50	40.90	42.50



Recommended P.C.B. Layout
Total tolerance: $\pm 0.05\text{mm}$

LTR		REVISION DESCRIPTION	SIGNATURE	DATE	TOLERANCE	TITLE:	DRAWN:	KONNRA 东莞市康瑞电子有限公司 DongGuan Konnra Electronics Co.,Ltd.		
1	△	Uniformly arrange the drawings	ZSZ	2021.09.23	X.X ±0.30	XH2.5 Have buckle DIP 180° WF	Arwin 2021.09.23	PART NO.: C2502VD1**11T0102PA VER.: A2 DRAWING NO.: 2502WVD102-A-S		
2	△	Release of new drawings	he	2020.09.22	X.XX ±0.20		CHECKED:			
3					X.XXX ±0.10		APPROVED:			
4					Angle $\pm 2^\circ$	UNIT: mm	SCALE: N/A	SHEET: 1/1	PROJECTION	

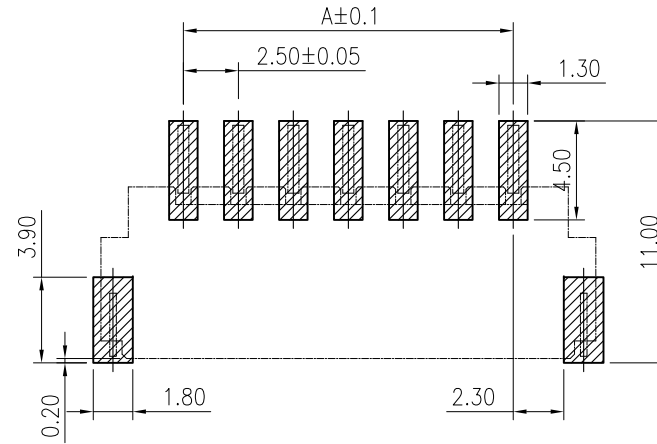
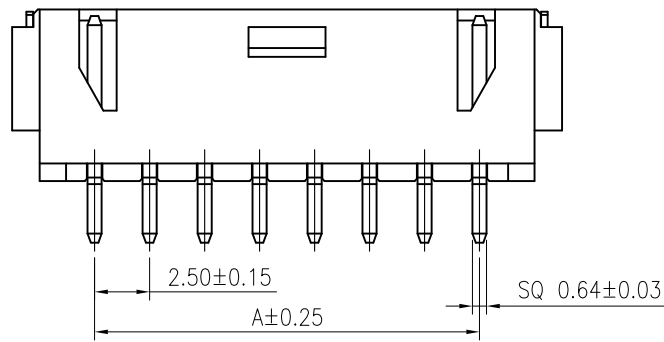
RoHS
COMPLIANT



- ◆ SPECIFICATIONS
- Current rating: 3A AC, DC
 - Voltage rating: 250V AC, DC
 - Temperature range: -40°C ~ +105°C
 - Insulation resistance: 1000M Ω Min.
 - Withstanding voltage: 1000V AC/ minute.
 - Contact resistance: 20m Ω Max.

Material:
 Insulator: Nylon 9T/LCP UL 94V-0
 Contact: Brass
 Solder Nail: Brass
 Plating: Tin plated over Nickel
 Circuits: 2~16
 Mates: KR2502 series Housing

Ordering code:
 C2502RS1**11M0101RA
 102: 2P
 116: 16P
 11: PA9T Natural



Recommended P.C.Board Layout

CKT.	Dimension		
	A	B	C
02	2.50	10.00	5.90
03	5.00	12.50	8.40
04	7.50	15.00	10.90
05	10.00	17.50	13.40
06	12.50	20.00	15.90
07	15.00	22.50	18.40
08	17.50	25.00	20.90
09	20.00	27.50	23.40
10	22.50	30.00	25.90
11	25.00	32.50	28.40
12	27.50	35.00	30.90
13	30.00	37.50	33.40
14	32.50	40.00	35.90
15	35.00	42.50	38.40
16	37.50	45.00	40.90

F		Uniformly arrange the drawings	ZSZ	2021.09.23	TOLERANCE X.X ±0.30 X.XX ±0.20 X.XXX ±0.10 Angle ±2°	TITLE: XH 2.5 Have buckle SMT 90° WF	DRAWN: Arvin 2021.09.23		KONNRA 东莞市康瑞电子有限公司 DongGuan Konnra Electronics Co.,Ltd.		
		Change the part number and frame format	Arvin	2020.01.16			CHECKED:				
	LTR	REVISION DESCRIPTION	SIGNATURE	DATE			UNIT:mm	SCALE:N/A	SHEET:1/1	PROJECTION	VER.:A2
1	2	3	4	5	6	7	8	9			

RoHS
COMPLIANT

◆ SPECIFICATIONS

- Current rating: 3A AC, DC
- Voltage rating: 250V AC,DC
- Temperature range: -40°C ~ +105°C
- Insulation resistance: 1000MΩ Min.
- Withstanding voltage: 1000V AC/ minute.
- Contact resistance: 20m Ω Max.

Material:

Insulator: Nylon 9T/LCP UL 94V-0

Contact: Brass

Solder Nail: Brass

Plating: Tin plated over Nickel

Circuits: 2~16

Mates: KR2502 series Housing

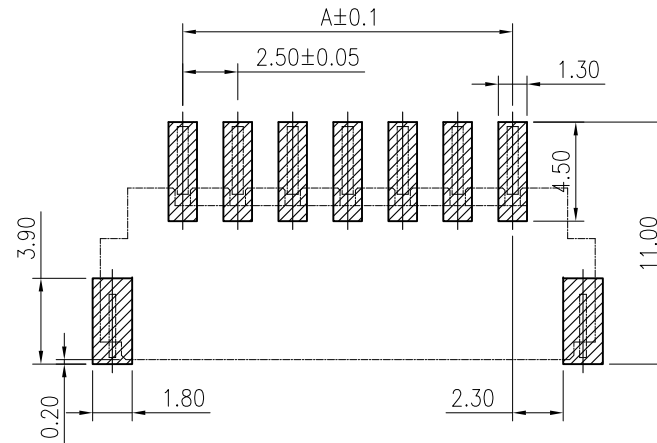
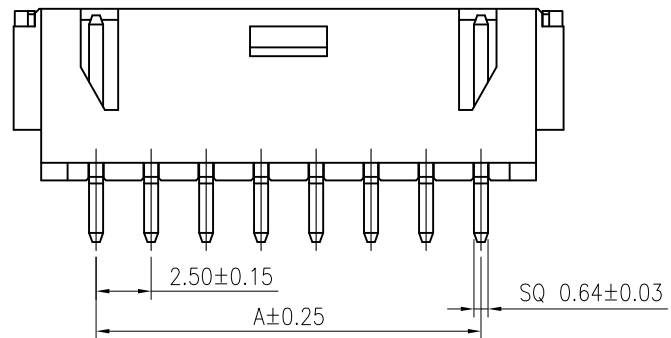
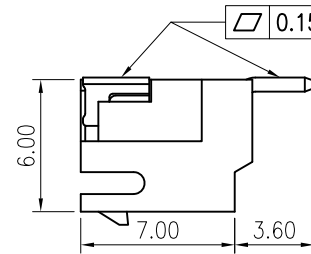
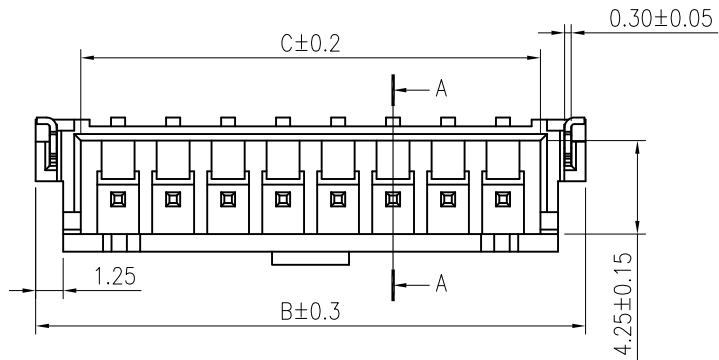
Ordering code:

C2502RS1**11M0101RA

102: 2P

116: 16P

11: PA9T Natural



Recommended P.C.Board Layout

CKT.	Dimension		
	A	B	C
02	2.50	10.00	5.90
03	5.00	12.50	8.40
04	7.50	15.00	10.90
05	10.00	17.50	13.40
06	12.50	20.00	15.90
07	15.00	22.50	18.40
08	17.50	25.00	20.90
09	20.00	27.50	23.40
10	22.50	30.00	25.90
11	25.00	32.50	28.40
12	27.50	35.00	30.90
13	30.00	37.50	33.40
14	32.50	40.00	35.90
15	35.00	42.50	38.40
16	37.50	45.00	40.90

F		Uniformly arrange the drawings	ZSZ	2021.09.23	TOLERANCE X.X ±0.30 X.XX ±0.20 X.XXX ±0.10 Angle ±2°	TITLE: XH 2.5 Have buckle SMT 90° WF B Type	DRAWN: <i>Arwin 2021.09.23</i> CHECKED: APPROVED:	KONNRA 东莞市康瑞电子有限公司 DongGuan Konnra Electronics Co.,Ltd.					
		Release of new drawings	Cai	2020.08.21				PART NO.: C2502RS***11M0111RA					
	LTR	REVISION DESCRIPTION	SIGNATURE	DATE				UNIT:mm	SCALE:N/A	SHEET:1/1	PROJECTION	VER.:A2	DRAWING NO.:2502WHS11-A-S
	1	2	3	4				5	6	7	8	9	

RoHS
COMPLIANT

◆ SPECIFICATIONS

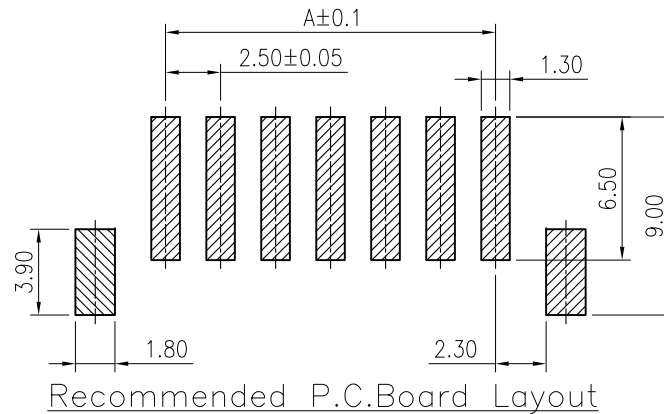
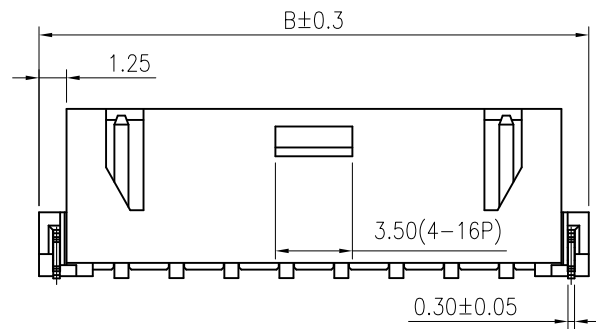
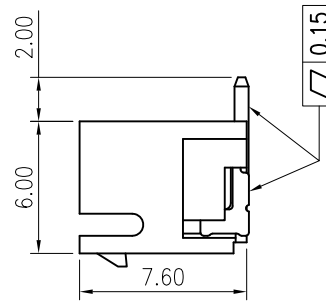
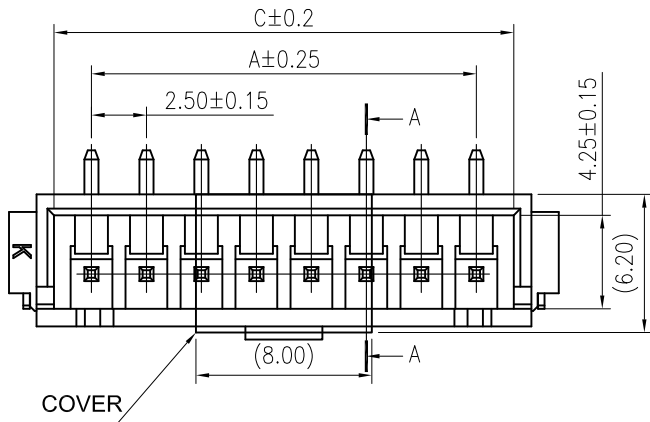
- Current rating: 3A AC, DC
- Voltage rating: 250V AC, DC
- Temperature range: -40°C ~ +105°C
- Insulation resistance: 1000MΩ Min.
- Withstanding voltage: 1000V AC/ minute.
- Contact resistance: 20mΩ Max.

Material:

Insulator: Nylon 9T/LCP UL 94V-0
 Contact: Brass
 Solder Nail: Brass
 Plating: Tin plated over Nickel
 Circuits: 2~16
 Mates: KR2502 series Housing

Ordering code:

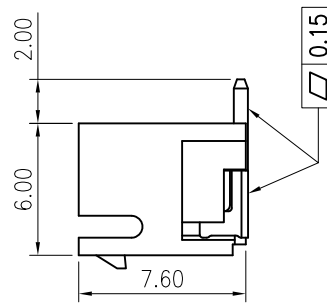
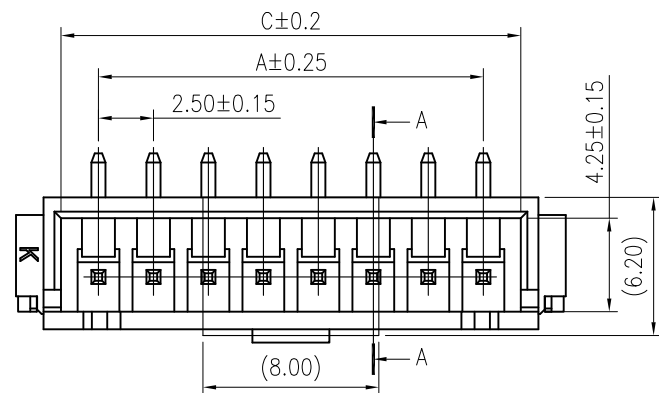
C2502VS1**11M0101RA
 102: 2P
 116: 16P
 11: PA9T Natural



CKT.	Dimension		
	A	B	C
02	2.50	10.00	5.90
03	5.00	12.50	8.40
04	7.50	15.00	10.90
05	10.00	17.50	13.40
06	12.50	20.00	15.90
07	15.00	22.50	18.40
08	17.50	25.00	20.90
09	20.00	27.50	23.40
10	22.50	30.00	25.90
11	25.00	32.50	28.40
12	27.50	35.00	30.90
13	30.00	37.50	33.40
14	32.50	40.00	35.90
15	35.00	42.50	38.40
16	37.50	45.00	40.90

				TOLERANCE	TITLE:		DRAWN: <i>Arvin 2021.09.23</i>		KONNRA 东莞市康瑞电子有限公司		
F		Uniformly arrange the drawings	ZSZ	2021.09.23	XH 2.5 Have buckle		CHECKED:		DongGuan Konnra Electronics Co.,Ltd.		
		Change the part number and frame format	Arvin	2020.01.16	SMT 180° WF		APPROVED:		PART NO.: C2502VS1**11M0101RA		
LTR	REVISION DESCRIPTION		SIGNATURE	DATE	Angle ±2°	UNIT:mm	SCALE:N/A	SHEET:1/1	PROJECTION	VER.:A2	DRAWING NO.:2502WVS101-A-S
1	2	3	4	5	6	7	8	9			

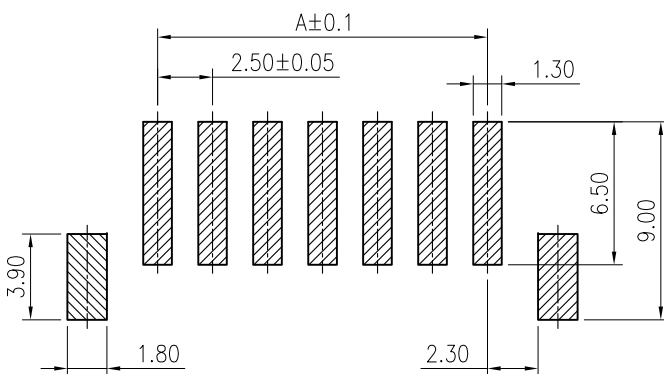
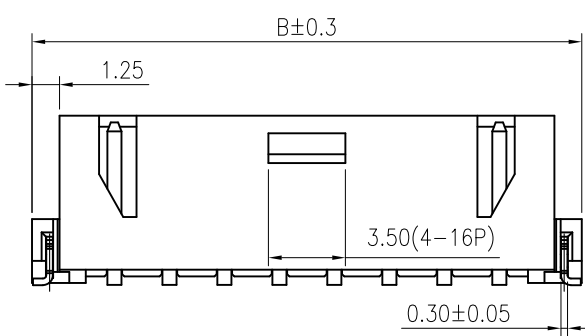
RoHS
COMPLIANT



- ◆SPECIFICATIONS
- Current rating: 3A AC, DC
 - Voltage rating: 250V AC,DC
 - Temperature range: -40°C ~ +105°C
 - Insulation resistance: 1000MΩ Min.
 - Withstanding voltage: 1000V AC/ minute.
 - Contact resistance: 20m Ω Max.

Material:
 Insulator: Nylon 9T/LCP UL 94V-0
 Contact: Brass/Tin or gold plated over Nickel
 Solder Nail: Brass/Tin plated over Nickel
 Circuits: 2~16
 Mates: KR2502 series Housing

Ordering code:
 C2502VS *** 11 M01 11RA
 102: 2P
 116: 16P
 M01: Matte-tin plated
 B03: 3u" gold plated
 11: PA9T Natural



Recommended P.C.Board Layout

CKT.	Dimension		
	A	B	C
02	2.50	10.00	5.90
03	5.00	12.50	8.40
04	7.50	15.00	10.90
05	10.00	17.50	13.40
06	12.50	20.00	15.90
07	15.00	22.50	18.40
08	17.50	25.00	20.90
09	20.00	27.50	23.40
10	22.50	30.00	25.90
11	25.00	32.50	28.40
12	27.50	35.00	30.90
13	30.00	37.50	33.40
14	32.50	40.00	35.90
15	35.00	42.50	38.40
16	37.50	45.00	40.90

				TOLERANCE	TITLE:		DRAWN: <i>Arvin 2021.09.23</i>		KONNRA 东莞市康瑞电子有限公司		
F		Uniformly arrange the drawings	ZSZ	2021.09.23	XH 2.5 Have buckle		CHECKED:		DongGuan Konnra Electronics Co.,Ltd.		
		Add spec	Arvin	2021.08.31	SMT 180° WF B Type		APPROVED:		PART NO.: C2502VS***11***11RA		
LTR	REVISION DESCRIPTION		SIGNATURE	DATE	Angle ±2°	UNIT:mm	SCALE:N/A	SHEET:1/1	PROJECTION	VER.:A3	DRAWING NO.:2502WVS111-A-S
1	2	3	4	5	6	7	8	9			