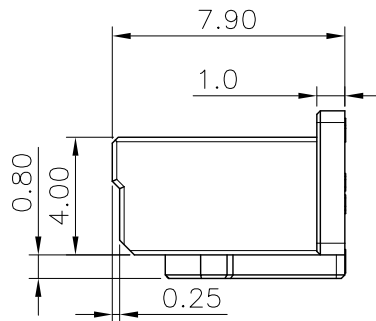
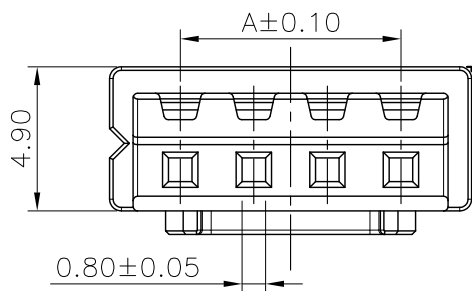


RoHS
COMPLIANT



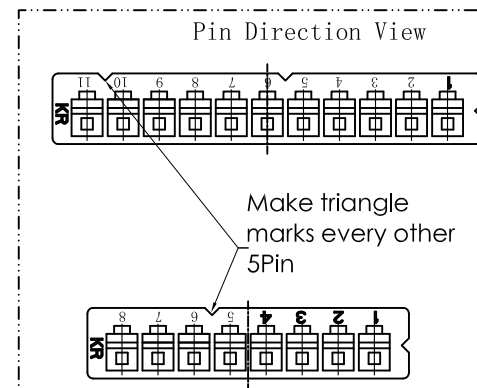
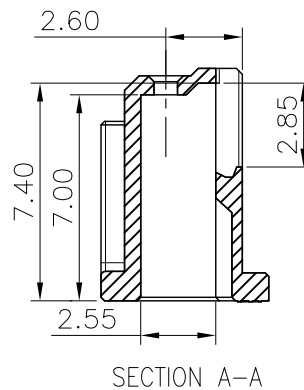
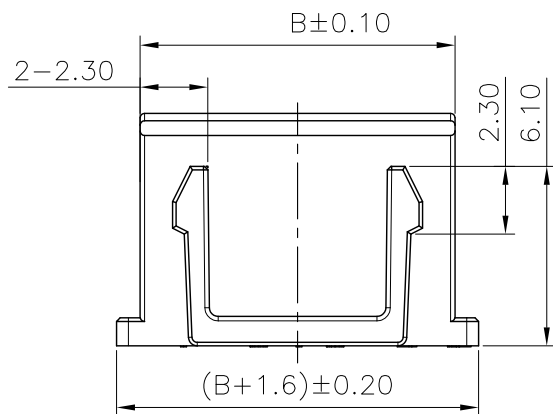
◆ SPECIFICATIONS

- Current rating: 3A AC, DC
- Voltage rating: 250V AC, DC
- Temperature range: -40°C ~ +105°C
- Insulation resistance: 1000MΩ Min.
- Withstanding voltage: 1000V AC/ minute.
- Contact resistance: 20mΩ Max.

Material: PBT UL 94V-0 $\triangle A03$

Circuits: 2~16

Suitable: KR2501 series Terminal



Pin No.	Dimensions	
	A	B
002	2.50	5.70
003	5.00	8.20
004	7.50	10.70
005	10.00	13.20
006	12.50	15.70
007	15.00	18.20
008	17.50	20.70
009	20.00	23.20
010	22.50	25.70
011	25.00	28.20
012	27.50	30.70
013	30.00	33.20
014	32.50	35.70
015	35.00	38.20
016	37.50	40.70

F	$\triangle A03$	Change from PA66 to PBT	ZSZ	2023.5.15	TOLERANCE X.X ±0.30 X.XX ±0.20 X.XXX ±0.10 Angle ±0.5°	TITLE: XH 2.5 No Buckle Housing	DRAWN: Shen 2021.09.29	KONNRA 东莞市康瑞电子有限公司 DongGuan Konnra Electronics CO.,LTD		
	$\triangle A02$	Uniformly arrange the drawings	Shen	2021.09.29			CHECKED:			
	$\triangle A01$	Release of new drawings	ZZN	2021.05.10			APPROVED:			
MARK	REVISION DESCRIPTION	SIGNATURE	DATE	UNIT:mm	SCALE:1:1	SHEET:1/1	PROJECTION	VER.:A03	PART NO.:H250101**2401G	DRAWING NO.:2501H01-G-S