

RoHS
COMPLIANT

SPECIFICATIONS

1. Current rating: 3A AC, DC
2. Voltage rating: 125V AC,DC
3. Temperature range: -40°C ~ +125°C
4. Insulation resistance:1000mΩ Min.
5. Withstanding voltage: 500V AC/ minute.
6. Contact resistance: 10mΩ Max.

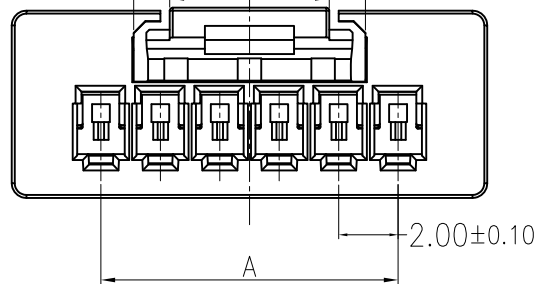
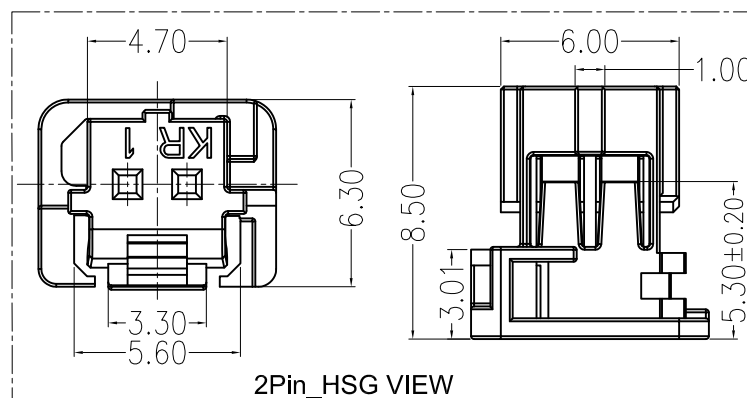
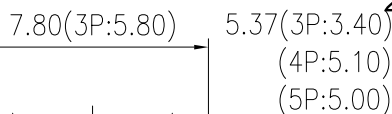
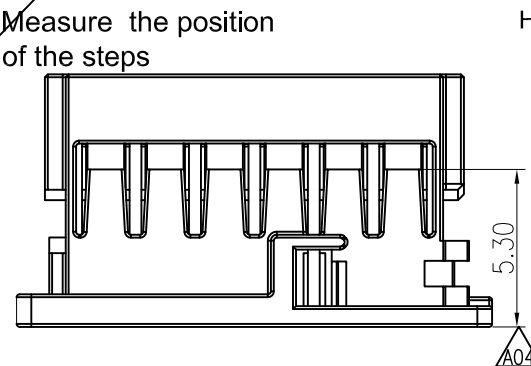
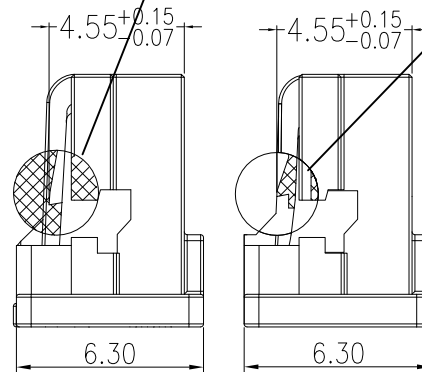
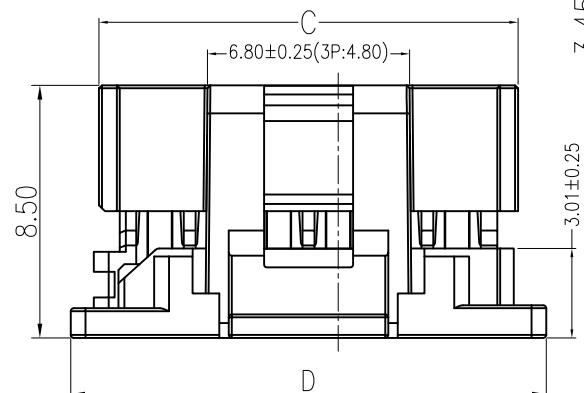
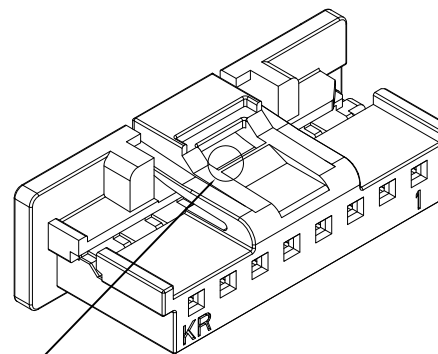
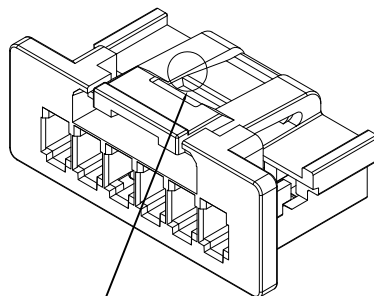
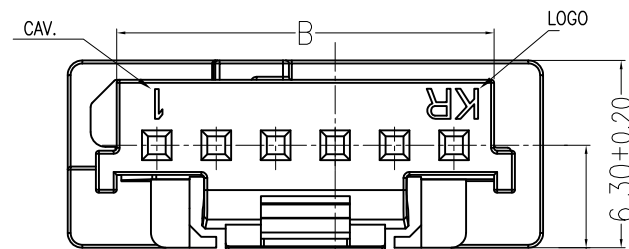
Material:PBT UL94V-0
Suitable KR2017 Series terminal and lock
Mate with KR2017 Series wafer

Ordering Code:

H20170 *** ** 01A

05:PBT Black $\triangle A07$
24:PBT Natural
No. of Circuits
102 : 2 ... 116,16

16 $\triangle A06$	30.00	32.70	34.10	36.00
15 $\triangle A06$	28.00	30.70	32.10	34.00
14	26.00	28.70	30.10	32.00
13	24.00	26.70	28.10	30.00
12	22.00	24.70	26.10	28.00
11	20.00	22.70	24.10	26.00
10	18.00	20.70	22.10	24.00
9	16.00	18.70	20.10	22.00
8	14.00	16.70	18.10	20.00
7	12.00	14.70	16.10	18.00
6	10.00	12.70	14.10	16.00
5	8.00	10.70	12.10	14.00
4	6.00	8.70	10.10	12.00
3	4.00	6.70	8.10	10.00
2		4.70	6.10	8.00
Circuits	A	B	C	D



$\triangle A07$	Add specification	ZSZ	2023.06.05	TOLERANCE	TITLE:	DRAWN: <i>ZZN</i> 2023.4.19	KONNRA 东莞市康瑞电子有限公司 DongGuan Konnra Electronics Co.,Ltd.
$\triangle A06$	Add 15P,16P	ZZN	2023.04.19	X.X ±0.30	MX2.0 Inner buckle	CHECKED: <i>ZZN</i> 2023.4.19	
$\triangle A05$	Add Section View	Arvin	2023.02.17	X.XX ±0.20	Housing	APPROVED:	
MARK	REVISION DESCRIPTION	SIGNATURE	DATE	X.XXX ±0.10	UNIT:mm	SHEET:1/1	PART NO.:H20170*****01A
				Angle ±2°	SCALE:1/1	PROJECTION	REV.:A07 DRAWING NO.:2017H101-A-S