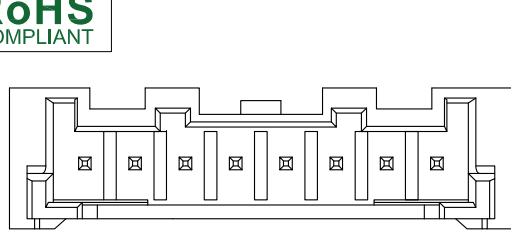
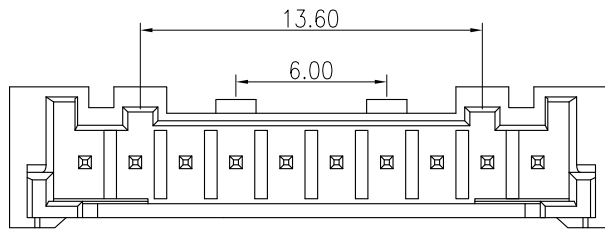


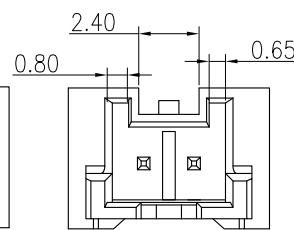
RoHS
COMPLIANT



8P View



10P-15P View



2P View

◆ SPECIFICATIONS

- Current rating: 3A (AWG #24)AC, DC
- Voltage rating: 250V AC,DC
- Temperature range: -40°C ~ +105°C
- Insulation resistance: 1000MΩ Min.
- Withstanding voltage: 800V AC/ minute.
- Contact resistance: 20mΩ Max.

Material:

Insulator: Nylon 9T UL 94V-0

Pin: Brass

Plating: Tin plated over Nickel

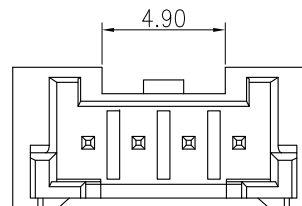
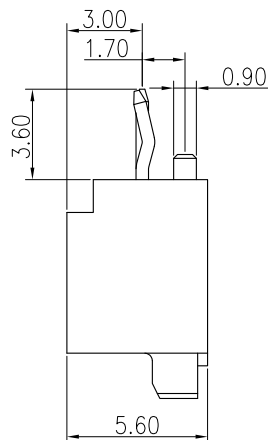
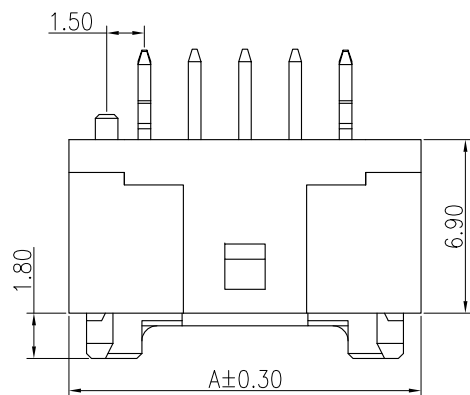
Suitable: KR2014 series Housing

PART NO: C2014VD1**11M0101PA

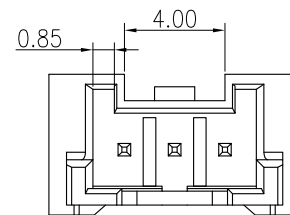
02: 2P P: BAG
16: 16P

11: PA9T Natural

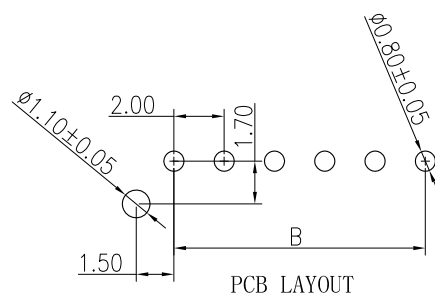
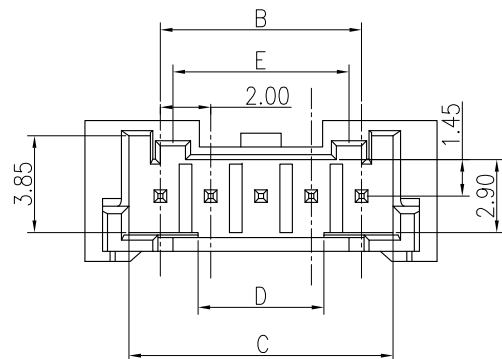
M01: Matte Tin



4P View



3P View



15P	34.00	28.00	30.50	23.00	13.60
14P	32.00	26.00	28.50	21.00	13.60
13P	30.00	24.00	26.50	19.00	13.60
12P	28.00	22.00	24.50	17.00	13.60
11P	26.00	20.00	22.50	15.00	13.60
10P	24.00	18.00	20.50	13.00	13.60
9P	22.00	16.00	18.50	11.00	7.00
8P	20.00	14.00	16.50	9.00	7.00
7P	18.00	12.00	14.50	7.00	7.00
6P	16.00	10.00	12.50	5.00	7.00
5P	14.00	8.00	10.50	5.00	7.00
4P	12.00	6.00	8.50	5.00	—
3P	10.00	4.00	6.50	1.00	—
2P	8.00	2.00	4.50	—	—
PIN	A	B	C	D	E

MARK	REVISION DESCRIPTION	SIGNATURE	DATE
1			
2			
3			

TOLERANCE
X.X ±0.30
X.XX ±0.25
X.XXX ±0.10
Angle ±2°

TITLE:
PA2.0 DIP 180° WF
UNIT:mm
SCALE:1/1

DRAWN: Shen 2021.09.23
CHECKED:
APPROVED:
SHEET:1/1
PROJECTION

KONNRA 东莞市康瑞电子有限公司 DongGuan Konnra Electronics Co.,Ltd.	
PART NO.: C2014VD1**11M0101PA	
REV.:A3	DRAWING NO.:2014WFVD01-A-S