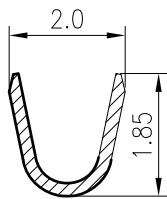
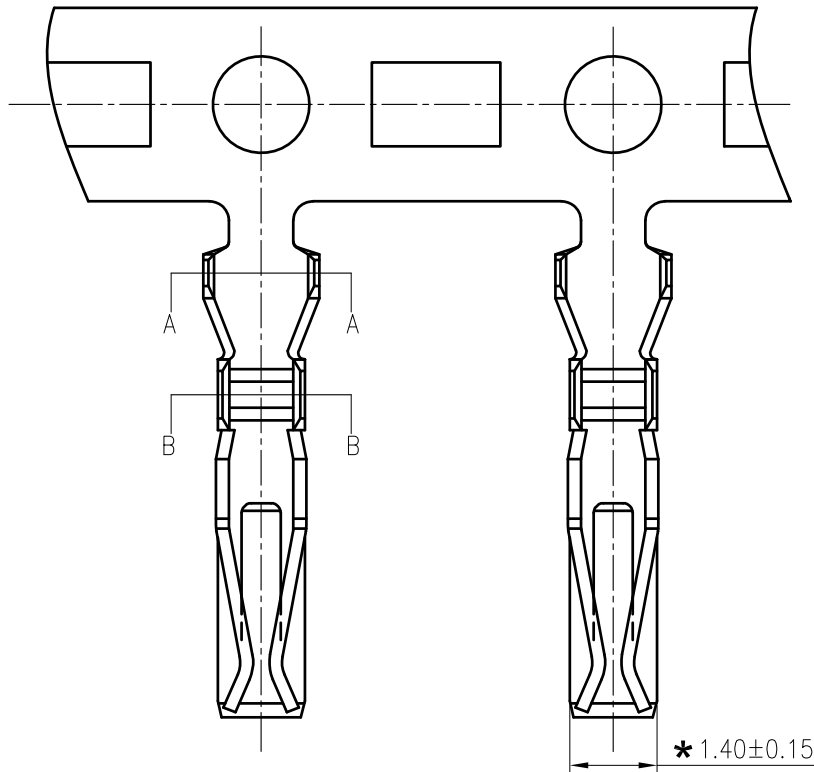
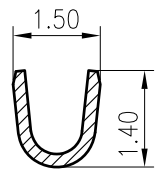


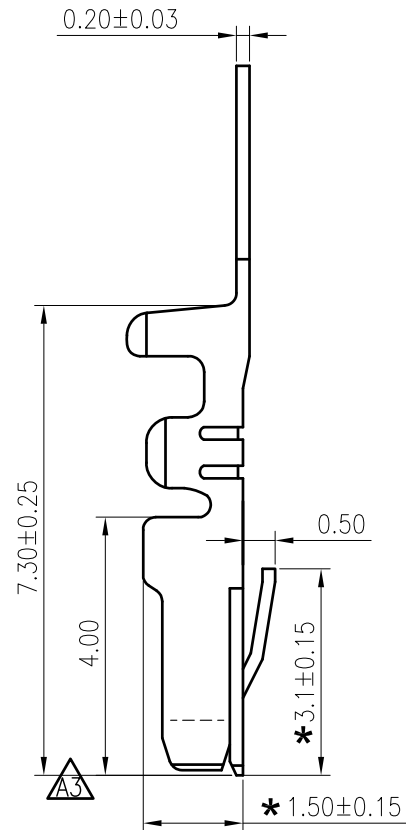
**RoHS**  
COMPLIANT



Section A-A



Section B-B



**SPECIFICATIONS**

1. Current rating: 2A AC, DC
2. Voltage rating: 250V AC,DC
3. Temperature range: -40°C ~ +105°C
4. Insulation resistance: 1000MΩ Min.
5. Withstanding voltage: 800V AC/ minute.
6. Contact resistance: 20mΩ Max.

**Applicable Wires:**

AWG#24-#28

Insulation O.D. : 1.60mm MAX

Material: Phosphor Bronze

Plating: Tin plated over nickel

Suitable KR2012 series housing

Q'ty/reel:15,000 PCS

TOLERANCE  
X.X ±0.30  
X.XX ±0.20  
X.XXX ±0.10  
Angle ±2°

TITLE:  
**PHB 2.0 Terminal**

DRAWN: *Liujiangtian 2020.05.04*

CHECKED:

APPROVED:

UNIT:mm

SCALE:N/A

SHEET:1/1

PROJECTION

**KONNRA** 东莞市康瑞电子有限公司  
DongGuan Konnra Electronics Co.,Ltd.

PART NO.:T20120P\*\*\*01C

REV.:A4

DRAWING NO.:2012T101-C-S



Uniformly arrange the drawings

Shen

2022.01.08

MARK

REVISION DESCRIPTION

SIGNATURE

DATE

UNIT:mm

SCALE:N/A

SHEET:1/1

PROJECTION

REV.:A4

DRAWING NO.:2012T101-C-S