

RoHS
COMPLIANT

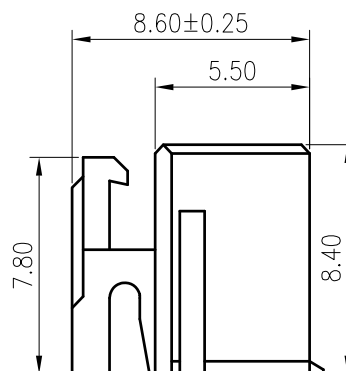
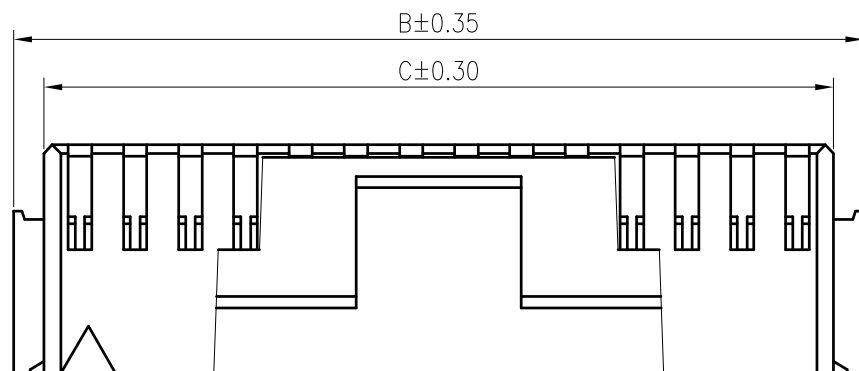
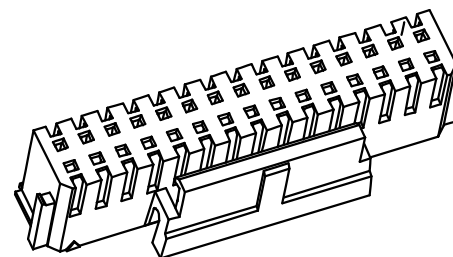
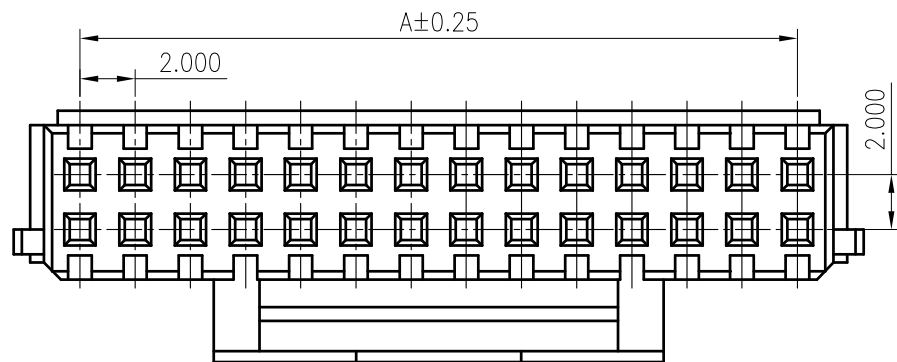
SPECIFICATIONS

1. Current rating: 2A AC, DC
2. Voltage rating: 250V AC,DC
3. Temperature range: -40°C ~ +105°C
4. Insulation resistance: 1000M Ω Min.
5. Withstanding voltage: 800V AC/ minute.
6. Contact resistance: 20m Ω Max.

Material: Nylon 66 UL 94V-0
 Suitable KR2012 series terminal
 Mate with KR2012 series wafer
 Ordering Code:

H20120 *** 01 01C

No. of Circuits
 202:2*2,220:2*20
 Insulator Material
 01:PA66 White V0



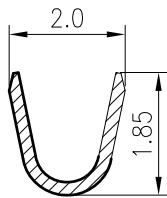
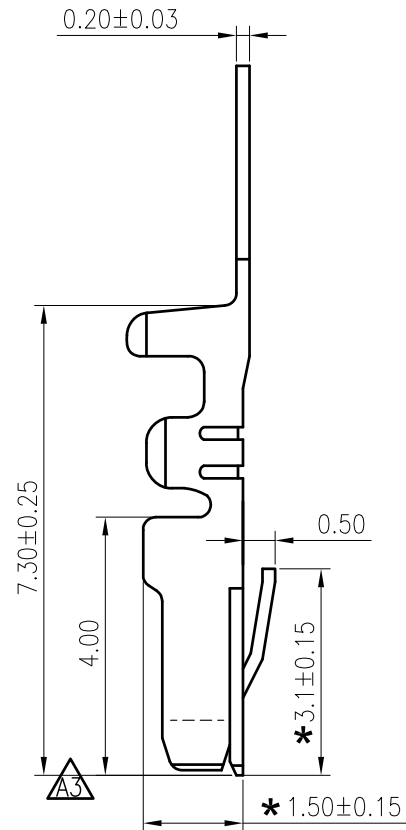
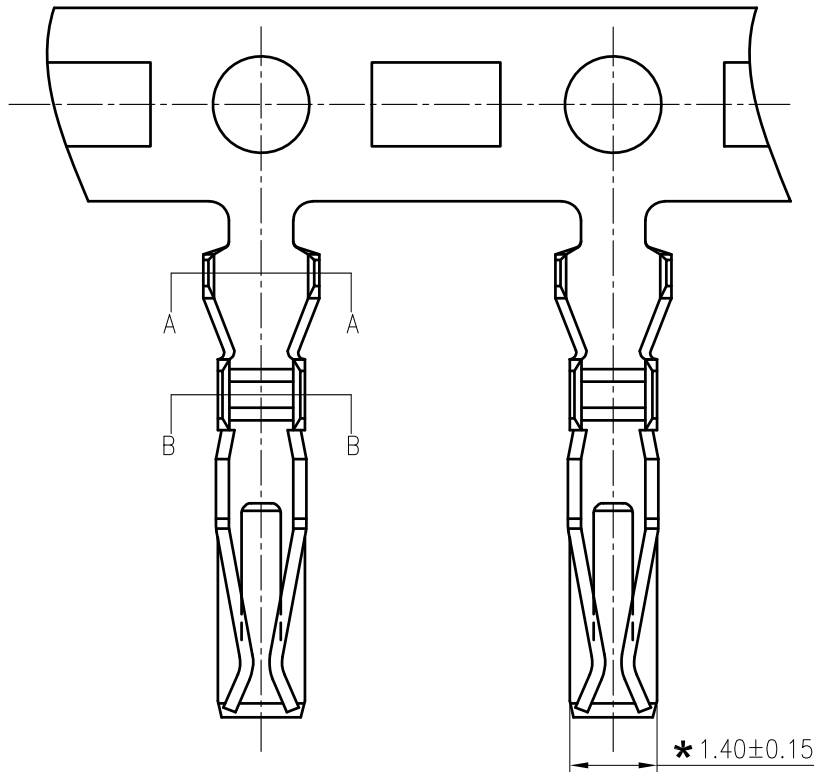
Circuits	Dimensions			Circuits	Dimensions		
	A	B	C		A	B	C
2x2	2.00	6.70	4.70	2x12	22.00	26.70	24.70
2x3	4.00	8.70	6.70	2x13	24.00	28.70	26.70
2x4	6.00	10.70	8.70	2x14	26.00	30.70	28.70
2x5	8.00	12.70	10.70	2x15	28.00	32.70	30.70
2x6	10.00	14.70	12.70	2x16	30.00	34.70	32.70
2x7	12.00	16.70	14.70	2x17	32.00	36.70	34.70
2x8	14.00	18.70	16.70	2x18	34.00	38.70	36.70
2x9	16.00	20.70	18.70	2x19	36.00	40.70	38.70
2x10	18.00	22.70	20.70	2x20	38.00	42.70	40.70
2x11	20.00	24.70	22.70				

				TOLERANCE	TITLE: PHB2.0 Housing		DRAWN: Shen 2022.01.08		KONNRA 东莞市康瑞电子有限公司 DongGuan Konnra Electronics Co.,Ltd.		
				X.X \pm 0.30			CHECKED:		PART NO.: H20120***0101C		
				X.XX \pm 0.20			APPROVED:				
				X.XXX \pm 0.10			UNIT:mm SCALE:N/A		SHEET:1/1 PROJECTION		REV.:A3 DRAWING NO.:2012H101-C-S
				Angle \pm 2°							
MARK	REVISION DESCRIPTION	SIGNATURE	DATE								

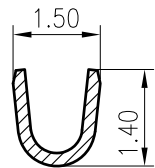


Uniformly arrange the drawings Shen 2022.01.08

RoHS
COMPLIANT



Section A-A



Section B-B

- SPECIFICATIONS**
1. Current rating: 2A AC, DC
 2. Voltage rating: 250V AC,DC
 3. Temperature range: -40°C ~ +105°C
 4. Insulation resistance: 1000MΩ Min.
 5. Withstanding voltage: 800V AC/ minute.
 6. Contact resistance: 20mΩ Max.

Applicable Wires:
AWG#24-#28
Insulation O.D. : 1.60mm MAX
Material: Phosphor Bronze
Plating: Tin plated over nickel
Suitable KR2012 series housing
Q'ty/reel:15,000 PCS

TOLERANCE
X.X ±0.30
X.XX ±0.20
X.XXX ±0.10
Angle ±2°

TITLE:
PHB 2.0 Terminal

DRAWN: *Liujiangtian 2020.05.04*

CHECKED:

APPROVED:

KONNRA 东莞市康瑞电子有限公司
DongGuan Konnra Electronics Co.,Ltd.

PART NO.: T20120P***01C



Uniformly arrange the drawings

Shen

2022.01.08

MARK

REVISION DESCRIPTION

SIGNATURE

DATE

UNIT:mm

SCALE:N/A

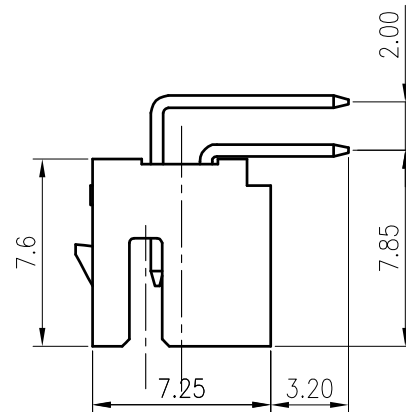
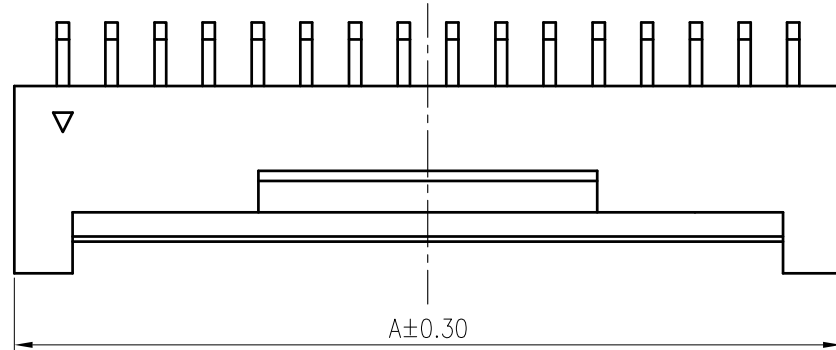
SHEET:1/1

PROJECTION

REV.:A4

DRAWING NO.:2012T101-C-S

RoHS
COMPLIANT



SPECIFICATIONS

1. Current rating: 2A AC, DC
2. Voltage rating: 250V AC, DC
3. Temperature range: -40°C ~ +105°C
4. Insulation resistance: 1000MΩ/ min.
5. Withstanding voltage: 800V AC/ minute.
6. Contact resistance: 30mΩ/ max.

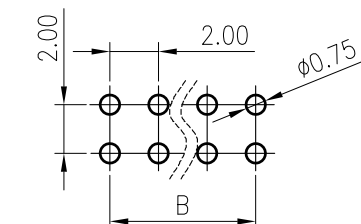
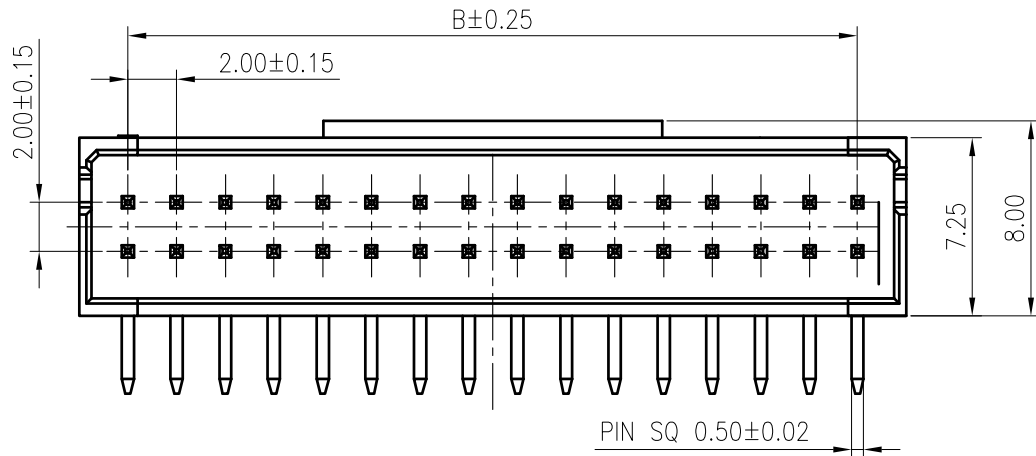
Material:

Insulator: PA66 UL94 V-0
 Contact: Brass
 Plating: Tin plated or gold plated over Nickel
 Mate with KR2012 series housing

Ordering Code:

C2012RD *** ** T01 01PC
 No. of Circuits ———— Plating
 202:2x2, 220:2x20 ———— T01: Tin plated
 Insulator Material ———— G03: Gold plated 3u"
 22: PA66 Beige V0

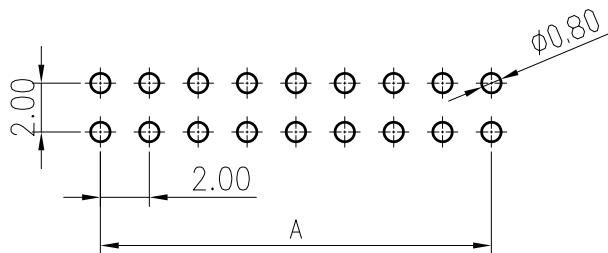
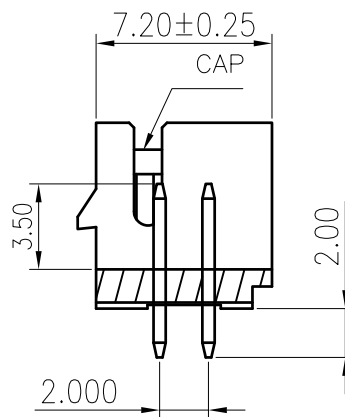
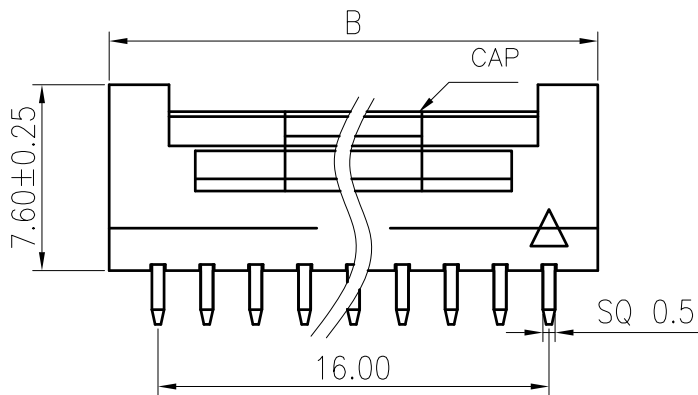
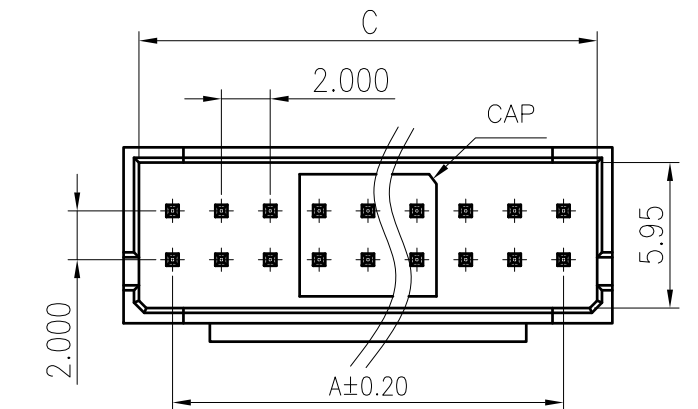
Circuits	Dimension	
	A	B
2*2	6.00	2.00
2*3	8.00	4.00
2*4	10.00	6.00
2*5	12.00	8.00
2*6	14.00	10.00
2*7	16.00	12.00
2*8	18.00	14.00
2*9	20.00	16.00
2*10	22.00	18.00
2*11	24.00	20.00
2*12	26.00	22.00
2*13	28.00	24.00
2*14	30.00	26.00
2*15	32.00	28.00
2*16	34.00	30.00
2*17	36.00	32.00
2*18	38.00	34.00
2*19	40.00	36.00
2*20	42.00	38.00



Recommended P.C.B. Layout
 Total tolerance: ±0.05mm

F		Add Dimensions	ZSZ	2022.05.20	TOLERANCE X.X ±0.30 X.XX ±0.20 X.XXX ±0.10 Angle ±2°	TITLE: PHB2.0 DIP 90° Wafer		DRAWN: Shen 2022.01.08		KONNRA 东莞市康瑞电子有限公司 DongGuan Konnra Electronics Co.,Ltd.	
		Uniformly arrange the drawings	Shen	2022.01.08		CHECKED:		APPROVED:		PART NO.: C2012RD***22***01PC	
	MARK	REVISION DESCRIPTION	SIGNATURE	DATE		UNIT:mm	SCALE:N/A	SHEET:1/1	PROJECTION	REV.:A4	DRAWING NO.: 2012WRD201-C-S
	1	2	3	4	5	6	7	8	9		

RoHS
COMPLIANT



Recommended P.C.B. Layout
General tolerance: ±0.05mm

SPECIFICATIONS

1. Current rating: 2A AC, DC
2. Voltage rating: 250V AC,DC
3. Temperature range: -40°C ~ +105°C
4. Insulation resistance: 1000MΩ Min.
5. Withstanding voltage: 1000V AC/ minute.
6. Contact resistance: 30mΩ Max.

Material:

Insulator: LCP UL 94V-0

Contact: Brass

Plating: Tin plated over Nickel

Mate with KR2012 series Housing

Q'ty/reel: 350PCS

Ordering Code:

C2012VD*** 13 T01 01 RD

No.of Circuits

204:2*4,222:2*22

Circuits	Dimensions		
	A	B	C
2x4	6.00	10.00	8.750
2x5	8.00	12.00	10.750
2x6	10.00	14.00	12.750
2x7	12.00	16.00	14.750
2x8	14.00	18.00	16.750
2x9	16.00	20.00	18.750
2x10	18.00	22.00	20.750
2x11	20.00	24.00	22.750
2x12	22.00	26.00	24.750
2x13	24.00	28.00	26.750

TOLERANCE

X.X ±0.20

X.XX ±0.10

X.XXX ±0.05

Angle ±2°

TITLE:
PHB2.0 DIP 180°
Wafer Short PIN
2.0

DRAWN: ZSZ 2022.11.01

CHECKED:

APPROVED:

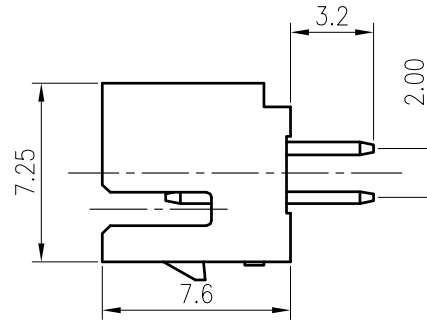
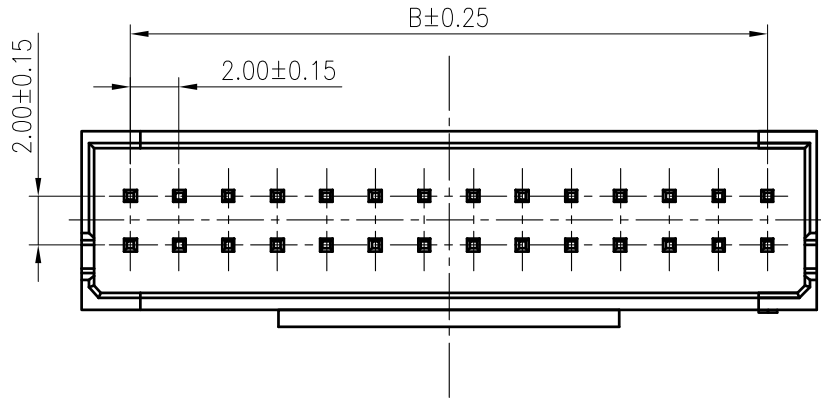
KONNRA 东莞市康瑞电子有限公司
DongGuan Konnra Electronics Co.,Ltd.

PART NO.: C2012VD***13T0101RD

MARK **REVISION DESCRIPTION** **SIGNATURE** **DATE** **UNIT:mm** **SCALE:N/A** **SHEET:1/1** **PROJECTION** **REV.:A1** **DRAWING NO.:** 2012WVD201-D-S

1 2 3 4 5 6 7 8 9

RoHS
COMPLIANT



SPECIFICATIONS

1. Current rating: 2A AC, DC
2. Voltage rating: 250V AC, DC
3. Temperature range: $-40^{\circ}\text{C} \sim +105^{\circ}\text{C}$
4. Insulation resistance: 1000M Ω / min.
5. Withstanding voltage: 800V AC/ minute.
6. Contact resistance: 30m Ω / max.

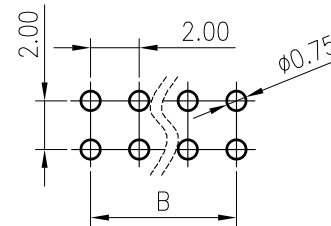
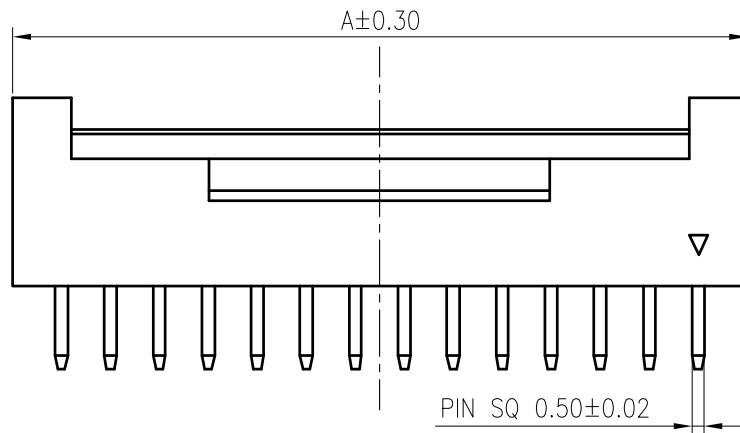
Material:

Insulator: PA66 UL94 V-0
Contact: Brass
Plating: Tin plated or gold plated over Nickel
Mate with KR2012 series housing

Ordering Code:

C2012VD *** ** T01 01PC
 No. of Circuits }
 202:2x2, 220:2x20 }
 Insulator Material }
 22:PA66 Beige V0 }
 Plating }
 T01: Tin plated }
 G03: Gold plated 3u" }

Circuits	Dimension	
	A	B
2*2	6.00	2.00
2*3	8.00	4.00
2*4	10.00	6.00
2*5	12.00	8.00
2*6	14.00	10.00
2*7	16.00	12.00
2*8	18.00	14.00
2*9	20.00	16.00
2*10	22.00	18.00
2*11	24.00	20.00
2*12	26.00	22.00
2*13	28.00	24.00
2*14	30.00	26.00
2*15	32.00	28.00
2*16	34.00	30.00
2*17	36.00	32.00
2*18	38.00	34.00
2*19	40.00	36.00
2*20	42.00	38.00



Recommended P.C.B. Layout
Total tolerance: $\pm 0.05\text{mm}$

TOLERANCE
X.X ± 0.30
X.XX ± 0.20
X.XXX ± 0.10
Angle $\pm 2^{\circ}$

TITLE:
PHB2.0 DIP 180°
Wafer

DRAWN: Shen 2022.01.08

CHECKED:

APPROVED:

KONNRA 东莞市康瑞电子有限公司
DongGuan Konnra Electronics Co., Ltd.

PART NO.: C2012VD***22***01PC

REV.: A3 DRAWING NO.: 2012WVD201-C-S



Uniformly arrange the drawings
Shen 2022.01.08

MARK REVISION DESCRIPTION SIGNATURE DATE UNIT:mm SCALE:N/A SHEET:1/1 PROJECTION REV.:A3 DRAWING NO.:2012WVD201-C-S

1 2 3 4 5 6 7 8 9