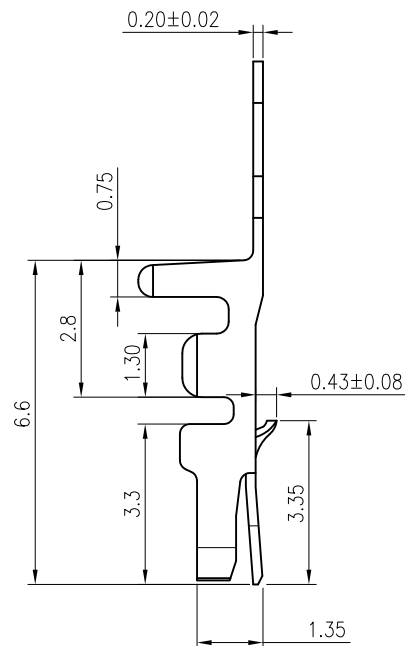
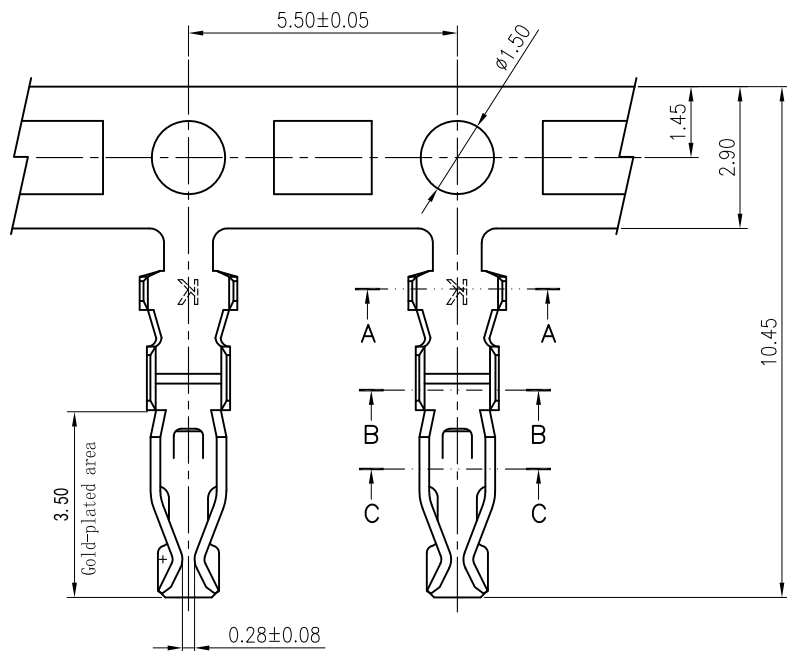


**RoHS**  
COMPLIANT



**SPECIFICATIONS**

1. Current rating: 3A AC, DC
2. Voltage rating: 250V AC, DC
3. Temperature range: -40°C ~ +105°C
4. Insulation resistance: 1000MΩ/ min.
5. Withstanding voltage: 800V AC/ minute.
6. Contact resistance: 20mΩ/ max.

Material: Phosphor Bronze

Plating: Tin plated over nickel

Applicable wire:

Conductor size: AWG#24~#28

Insulation O.D.: 0.9~1.40mm

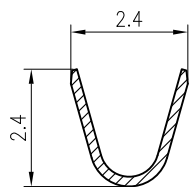
Suitable: KR2005/KR2014 series Housing

Q'ty/reel: 10,000pcs

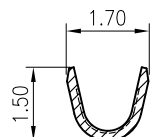
Ordering Code:

T20050P\*\*\*01A

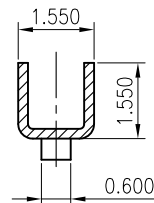
- S00: Nnplated
- T01: Bright tin
- B04: Au 5u"
- B08: Au 2u"



SECTION A-A



SECTION B-B



SECTION C-C

F		Uniformly arrange the drawings	ZSZ	2021.09.22	TOLERANCE X.X ±0.3 X.XX ±0.2 X.XXX ±0.1 Angle ±2°	TITLE: PHD/PA2.0 Terminal	DRAWN: ZSZ 2021.09.22		KONNRA 东莞市康瑞电子有限公司 DongGuan Konnra Electronics Co.,Ltd.		
		Change the part number and frame format	TLX	2020.05.14			CHECKED:		PART NO.: T20050P***01A		
	MARK	REVISION DESCRIPTION	SIGNATURE	DATE	UNIT:mm	SCALE:N/A	SHEET:1/1	PROJECTION	REV.:A3	DRAWING NO.: 2005T01-A-S	
	1	2	3	4	5	6	7	8	9		