

RoHS
COMPLIANT

SPECIFICATIONS

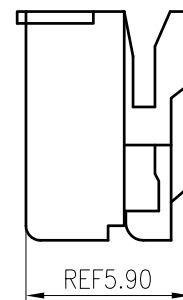
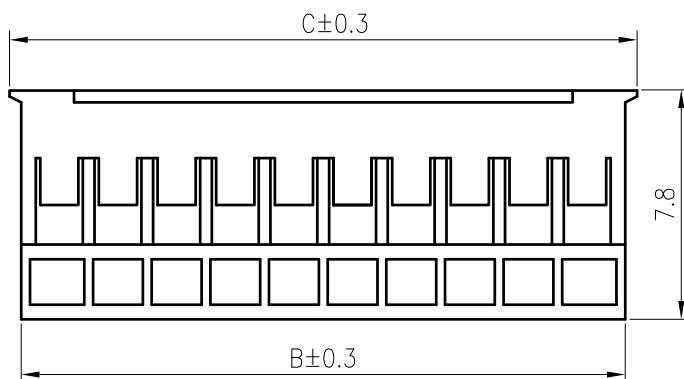
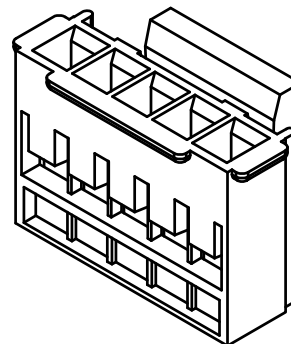
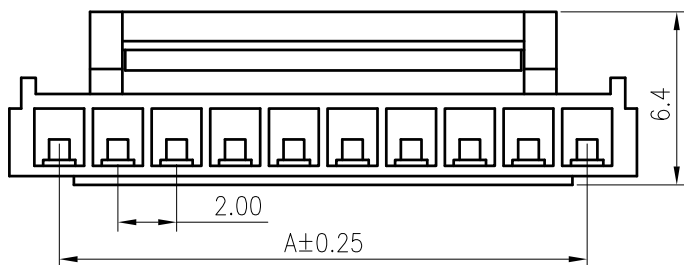
1. Current rating: 2A AC, DC
2. Voltage rating: 250V AC,DC
3. Temperature range: -40°C ~ +105°C
4. Insulation resistance: 1000MΩ Min.
5. Withstanding voltage: 1000V AC/ minute.
6. Contact resistance: 20mΩ Max.

Material: PA66 UL94 V-2
Suitable KR2004 series terminal
Mate With KR2004 series wafer

Ordering Code:

H2004M *** 03 01A

| | | |
|----------------|---------------|--------------------|
| No.of Circuits | 102:02,116:16 | Insulator Material |
| | | 03:PA66 White V2 |
| | | 21:PA66 Blue V0 |
| | | 46:PA66 Yellow V0 |



| Circuits | Dimensions | | |
|----------|------------|-------|-------|
| | A | B | C |
| 2 | 2.00 | 4.60 | 5.60 |
| 3 | 4.00 | 6.60 | 7.60 |
| 4 | 6.00 | 8.60 | 9.60 |
| 5 | 8.00 | 10.60 | 11.60 |
| 6 | 10.00 | 12.60 | 13.60 |
| 7 | 12.00 | 14.60 | 15.60 |
| 8 | 14.00 | 16.60 | 17.60 |
| 9 | 16.00 | 18.60 | 19.60 |
| 10 | 18.00 | 20.60 | 21.60 |
| 11 | 20.00 | 22.60 | 23.60 |
| 12 | 22.00 | 24.60 | 25.60 |
| 13 | 24.00 | 26.60 | 27.60 |
| 14 | 26.00 | 28.60 | 29.60 |
| 15 | 28.00 | 30.60 | 31.60 |
| 16 | 30.00 | 32.60 | 33.60 |

| | | | | | | | | | | | |
|---|------|-----------------------------------|-----------|------------|--|--|-----------------------|-----------|--------------------------------------|------------|---------|
| F | | Uniformly arrange the drawings | ZSZ | 2021.09.22 | TOLERANCE X.X ±0.30 X.XX ±0.20 X.XXX ±0.10 Angle ±2° | TITLE: PH2.0 Have buckle Housing | DRAWN: ZSZ 2021.09.22 | | KONNRA 东莞市康瑞电子有限公司 | | |
| | | Add Yellow and Blue Specification | Arvin | 2021.09.02 | | | CHECKED: | | DongGuan Konnra Electronics Co.,Ltd. | | |
| | MARK | REVISION DESCRIPTION | SIGNATURE | DATE | | | UNIT:mm | SCALE:N/A | SHEET:1/1 | PROJECTION | REV.:A4 |
| | 1 | 2 | 3 | 4 | 5 | 6 | 7 | 8 | 9 | | |

RoHS
COMPLIANT

SPECIFICATIONS

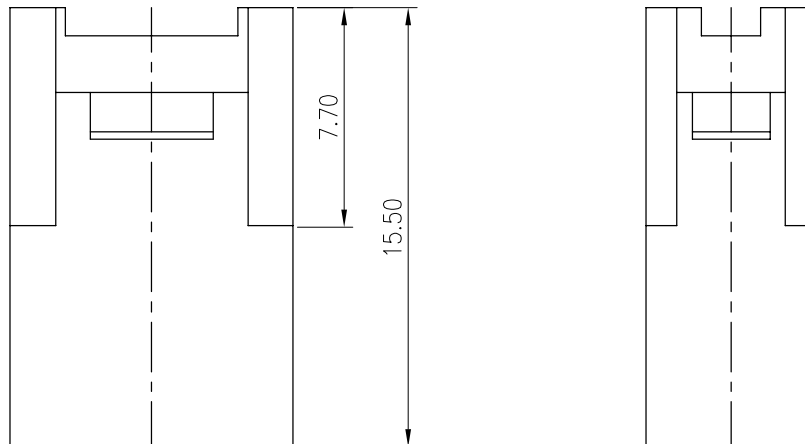
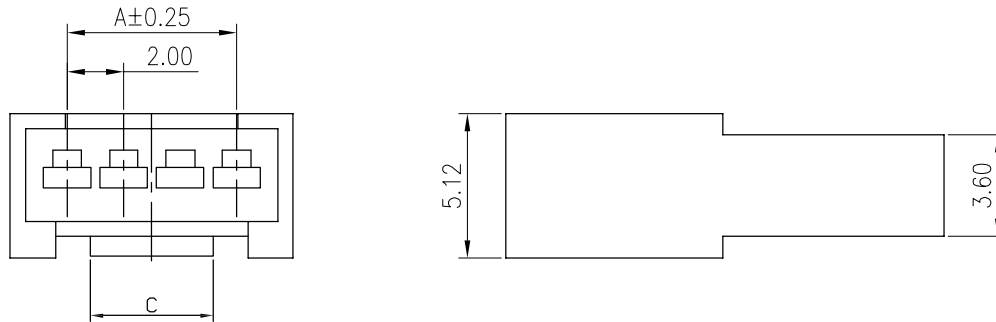
1. Current rating: 2A AC, DC
2. Voltage rating: 250V AC,DC
3. Temperature range: -40°C ~ +105°C
4. Insulation resistance: 1000MΩ Min.
5. Withstanding voltage: 1000V AC/ minute.
6. Contact resistance: 20mΩ Max.

Material: PA66 UL94 V-0
Suitable KR2004 series male terminal
Mate with KR2004 series male housing

Ordering Code:

H2004F *** 01 02A

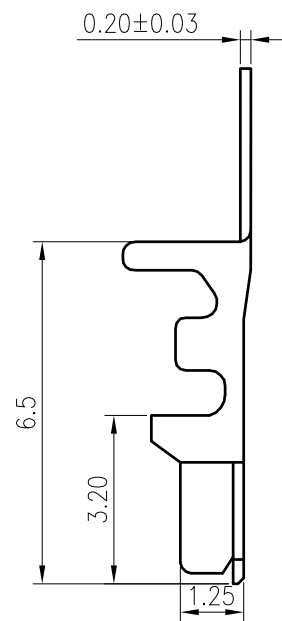
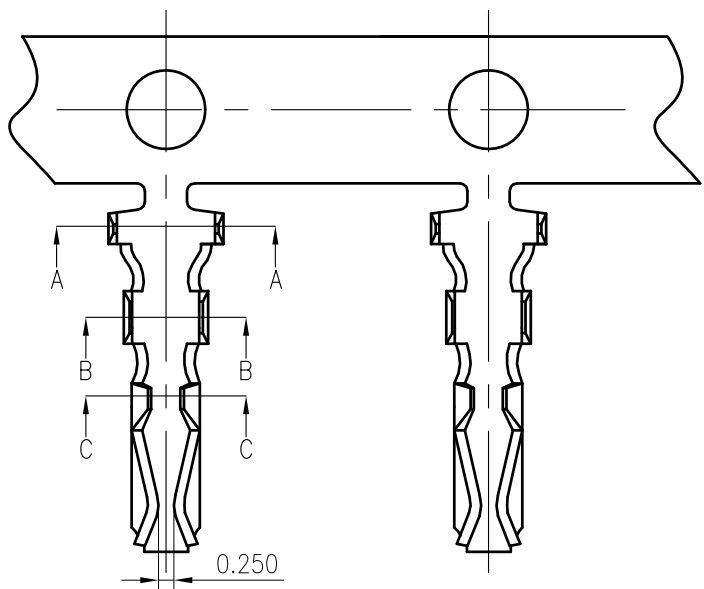
No.of Circuits Insulator Material
102:02,116:16 01:PA66 White V0



| Circuits | Dimensions | |
|----------|------------|-------|
| | A | B |
| 2 | 2.00 | 6.00 |
| 3 | 4.00 | 8.00 |
| 4 | 6.00 | 10.00 |
| 5 | 8.00 | 12.00 |
| 6 | 10.00 | 14.00 |
| 7 | 12.00 | 16.00 |
| 8 | 14.00 | 18.00 |
| 9 | 16.00 | 20.00 |
| 10 | 18.00 | 22.00 |
| 11 | 20.00 | 24.00 |
| 12 | 22.00 | 26.00 |
| 13 | 24.00 | 28.00 |
| 14 | 26.00 | 30.00 |
| 15 | 28.00 | 32.00 |
| 16 | 30.00 | 34.00 |

| MARK | REVISION DESCRIPTION | SIGNATURE | DATE | TOLERANCE | TITLE: | DRAWN: | KONNRA 东莞市康瑞电子有限公司 DongGuan Konnra Electronics Co., Ltd. | | |
|------|----------------------|-----------|--------------|------------|-------------------------------------|------------------|---|-----------|-----------------------------|
| A4 | | | | X. X ±0.30 | PH2.0 Have Buckle Female Housing | Arvin 2020.05.23 | PART NO. : H2004F1**0102A | | |
| A3 | | | X. XX ±0.20 | CHECKED: | | | | | |
| A2 | | | X. XXX ±0.10 | APPROVED: | | | | | |
| | | | | Angle ±2° | UNIT: mm SCALE: N/A | SHEET: 1/1 | PROJECTION | REV. : A1 | DRAWING NO. : 2004HF102-A-S |

RoHS
COMPLIANT



SPECIFICATIONS

1. Current rating: 2A AC, DC
2. Voltage rating: 250V AC,DC
3. Temperature range: -40°C ~ +105°C
4. Insulation resistance: 1000MΩ Min.
5. Withstanding voltage: 1000V AC/ minute.
6. Contact resistance: 20mΩ Max.

Material: Phosphor Bronze

Plating: Tin plated over Nickel

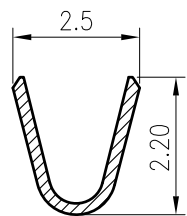
Applicable wire:

AWG #28~#22

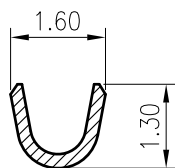
Insulation O.D.: 1.2 To 1.6mm

Suitable KR2004 series housing

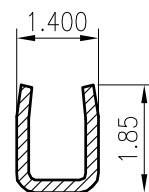
Q'ty/reel:12,000PCS



SECTION A-A



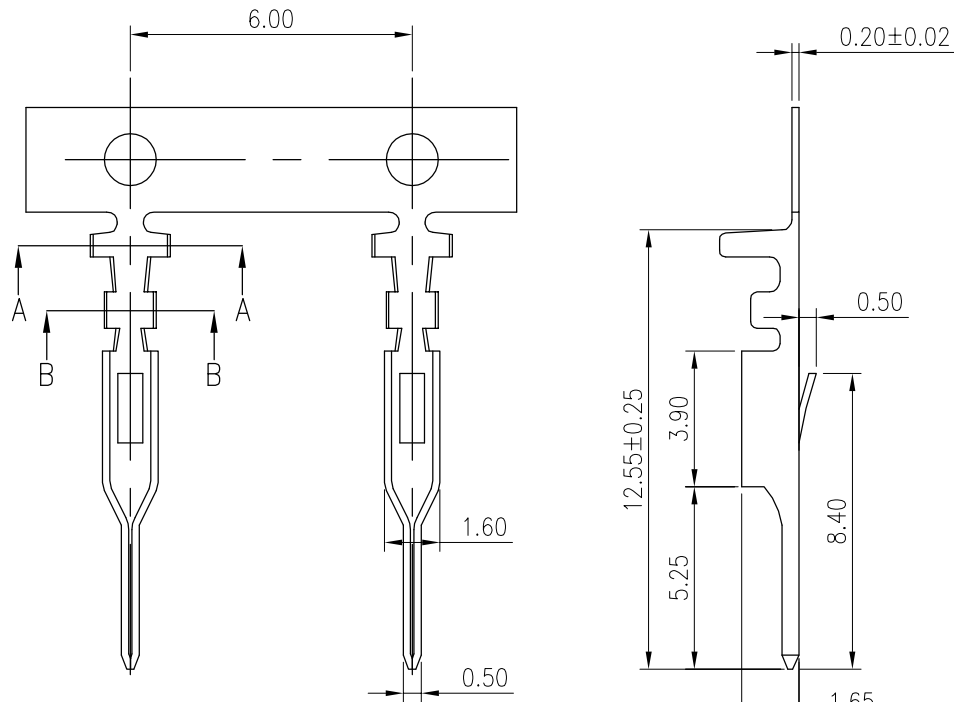
SECTION B-B



SECTION C-C

| MARK | REVISION DESCRIPTION | SIGNATURE | DATE | TOLERANCE | TITLE: | DRAWN: | CHECKED: | APPROVED: | REV.: | DRAWING NO.: |
|------|---|-----------|------------|-------------|----------------------------|----------------|-----------|------------|-------|---|
| A3 | Uniformly arrange the drawings | ZSZ | 2021.09.22 | X.X ±0.30 | PH2.0 Have buckle Terminal | ZSZ 2021.09.22 | | | A3 | KONNRA 东莞市康瑞电子有限公司 DongGuan Konnra Electronics Co.,Ltd. PART NO.:T2004FPT0101A DRAWING NO.:2004TF101-A-S |
| A2 | Change the part number and frame format | Arvin | 2020.05.23 | X.XX ±0.20 | | | | | | |
| | | | | X.XXX ±0.10 | | | | | | |
| | | | | Angle ±2° | UNIT:mm | SCALE:N/A | SHEET:1/1 | PROJECTION | | |

RoHS
COMPLIANT



SPECIFICATIONS

1. Current rating: 2A AC, DC
2. Voltage rating: 250V AC,DC
3. Temperature range: -40°C ~ +105°C
4. Insulation resistance: 1000MΩ Min.
5. Withstanding voltage: 1000V AC/ minute.
6. Contact resistance: 20mΩ Max.

Material: Phosphor Bronze

Plating: Tin plated over Nickel

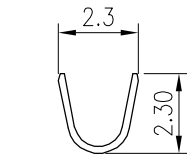
Applicable wire:

AWG #28~#22

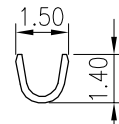
Insulation O.D.: 1.2 To 1.6mm

Suitable KR2004 series femal housing

Q'ty/reel:10,000PCS



SECTION A-A



SECTION B-B

| | | | | | | | | | | | |
|---|-------------|-----------------------------|------------------|-------------|--|---|-------------------------|-------------------|---------------------------------------|-------------------|------------------|
| F | | | | | TOLERANCE X. X ±0.30 X. XX ±0.20 X. XXX ±0.10 Angle ±2° | TITLE: PH2.0 Have Buckle Male Terminal | DRAWN: Arvin 2020.05.23 | | KONNRA 东莞市康瑞电子有限公司 | | |
| | | | | | | | CHECKED: | | DongGuan Konnra Electronics Co., Ltd. | | |
| | | | | | | | APPROVED: | | PART NO. : T2004MPT0101A | | |
| | MARK | REVISION DESCRIPTION | SIGNATURE | DATE | | | UNIT: mm | SCALE: N/A | SHEET: 1/1 | PROJECTION | REV. : A1 |
| | 1 | 2 | 3 | 4 | 5 | 6 | 7 | 8 | 9 | | |