

RoHS
COMPLIANT

SPECIFICATIONS

1. Current rating: 2A AC, DC
2. Voltage rating: 250V AC,DC
3. Temperature range: -40°C ~ +105°C
4. Insulation resistance: 1000MΩ Min.
5. Withstanding voltage: 1000V AC/ minute.
6. Contact resistance: 20mΩ Max.

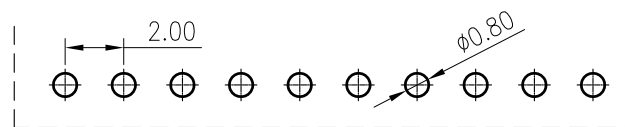
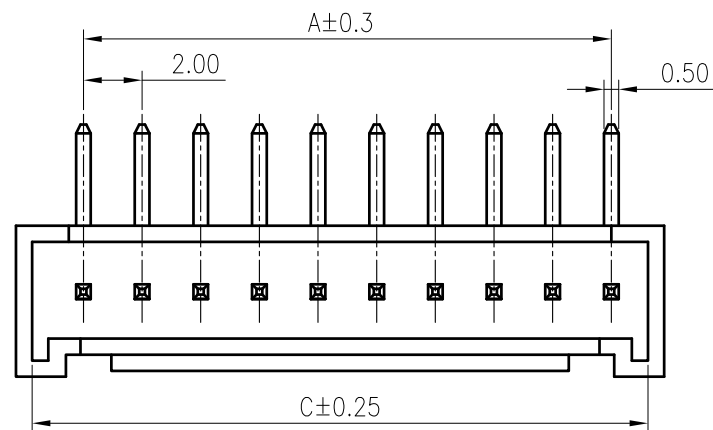
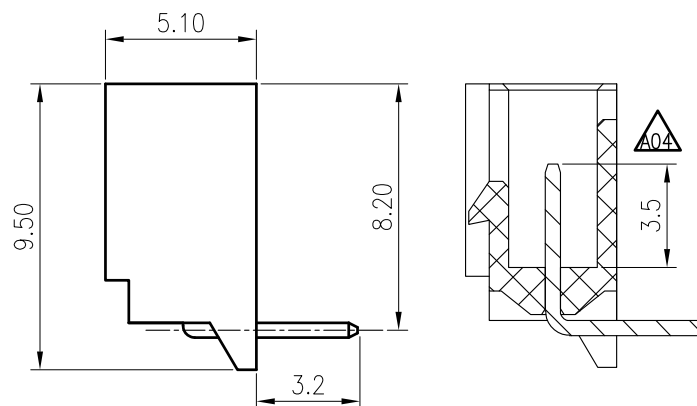
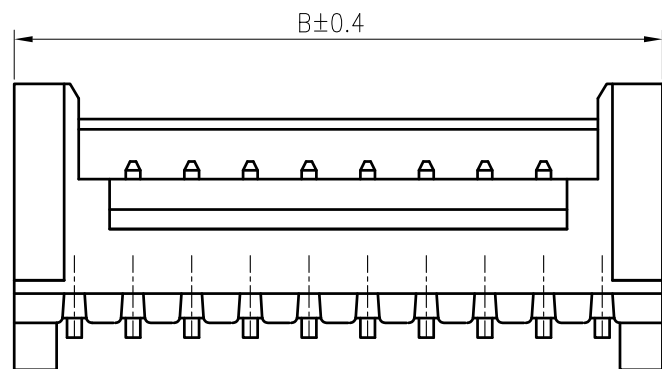
Material:

Material:
Insulator: PA66 UL 94V-2
Contact: Brass
Plating: Tin plated over Nickel
Mate with KR2004 Series Housing

Ordering Code:

C2004RD *** 03 T01 01PA
 No. of Circuits | Plating
 102:2,116:16 | T01: Tin plated
 Insulator Material
 03:PA66 White V2
 22:PA66 Beige V0

Circuits	Dimensions		
	A	B	C
2	2.00	6.00	4.90
3	4.00	8.00	6.90
4	6.00	10.00	8.90
5	8.00	12.00	10.90
6	10.00	14.00	12.90
7	12.00	16.00	14.90
8	14.00	18.00	16.90
9	16.00	20.00	18.90
10	18.00	22.00	20.90
11	20.00	24.00	22.90
12	22.00	26.00	24.90
13	24.00	28.00	26.90
14	26.00	30.00	28.90
15	28.00	32.00	30.90
16	30.00	34.00	32.90



Recommended P.C.B. Layout
Total tolerance: ±0.05mm

F	Add Dimensions	ZSZ	2022.05.30	TOLERANCE X.X ±0.30 X.XX ±0.20 X.XXX ±0.10 Angle ±2°	TITLE: PH2.0 Have buckle DIP 90° Wafer	DRAWN: ZSZ 2021.09.22	KONNRA 东莞市康瑞电子有限公司 DongGuan Konnra Electronics Co.,Ltd.		
	Uniformly arrange the drawings	ZSZ	2021.09.22			CHECKED:			
	Change the part number and frame format	Arvin	2020.04.24			APPROVED:			
	MARK	REVISION DESCRIPTION	SIGNATURE			DATE		UNIT: mm	SCALE: N/A
1	2	3	4	5	6	7	8	9	