

**RoHS**  
COMPLIANT

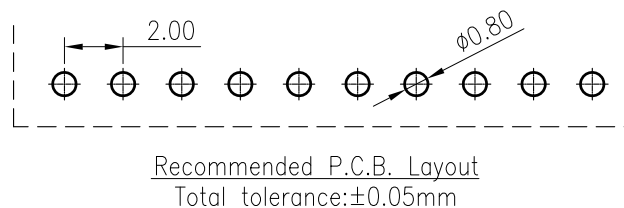
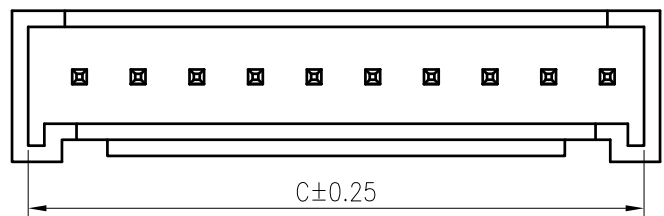
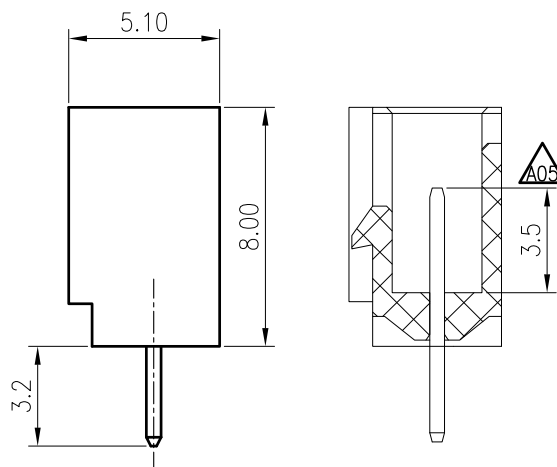
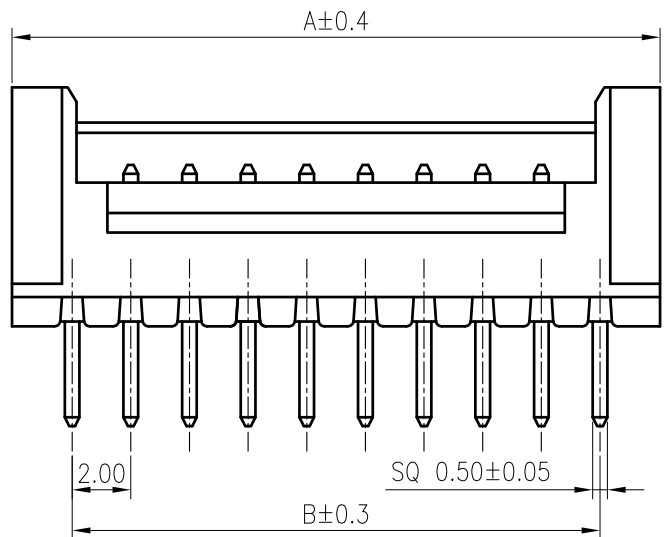
**SPECIFICATIONS**

1. Current rating: 2A AC, DC
2. Voltage rating: 250V AC,DC
3. Temperature range: -40°C ~ +105°C
4. Insulation resistance: 1000MΩ Min.
5. Withstanding voltage: 1000V AC/ minute.
6. Contact resistance: 20mΩ Max.

Material:  
 Material:  
 Insulator: PA66 UL 94V-2  
 Contact: Brass  
 Plating: Tin plated over Nickel  
 Mate with KR2004 Series Housing  
 Ordering Code:

C2004VD \*\*\* 03 T01 01PA  
 No. of Circuits 102:2,116:16  
 Insulator Material 03:PA66 White V2  
 04:PA66 Black V2  
 32:PA66 Red V2  
 45:PA66 Yellow V2  
 Plating T01: Tin plated

Circuits	Dimensions		
	A	B	C
2	6.00	2.00	4.90
3	8.00	4.00	6.90
4	10.00	6.00	8.90
5	12.00	8.00	10.90
6	14.00	10.00	12.90
7	16.00	12.00	14.90
8	18.00	14.00	16.90
9	20.00	16.00	18.90
10	22.00	18.00	20.90
11	24.00	20.00	22.90
12	26.00	22.00	24.90
13	28.00	24.00	26.90
14	30.00	26.00	28.90
15	32.00	28.00	30.90
16	34.00	30.00	32.90



F		Add Dimensions	ZSZ	2023.05.30	<b>TOLERANCE</b> X.X ±0.30 X.XX ±0.20 X.XXX ±0.10 Angle ±2°	<b>TITLE:</b> PH2.0 Have buckle DIP 180° Wafer No K	<b>DRAWN:</b> ZSZ 2021.09.22	<b>KONNRA</b> 东莞市康瑞电子有限公司 DongGuan Konnra Electronics Co.,Ltd.	
		Uniformly arrange the drawings	ZSZ	2021.09.22			<b>CHECKED:</b>		
		Add Yellow and Blue Specification	Arvin	2020.09.10			<b>APPROVED:</b>		
MARK	REVISION DESCRIPTION	SIGNATURE	DATE	UNIT:mm	SCALE:N/A	SHEET:1/1	PROJECTION	REV.:A05	DRAWING NO.:2004WVD101-A-S
1	2	3	4	5	6	7	8	9	