

RoHS  
COMPLIANT

◆ SPECIFICATIONS

- Current rating: 2A AC, DC
- Voltage rating: 100V AC, DC
- Temperature range: -40°C ~ +105°C
- Insulation resistance: 1000MΩ Min.
- Withstanding voltage: 800V AC/ minute.
- Contact resistance: 20mΩ Max.

Material:

Insulator: Nylon 9T/LCP UL 94V-0

Contact: Brass

Solder Nail: Brass

Plating: Tin plated over Nickel

Circuits: 2~16

Mate: KR2001 series Housing

C2001VS1\*\*11 \*\*\* 01RC

02: 2P

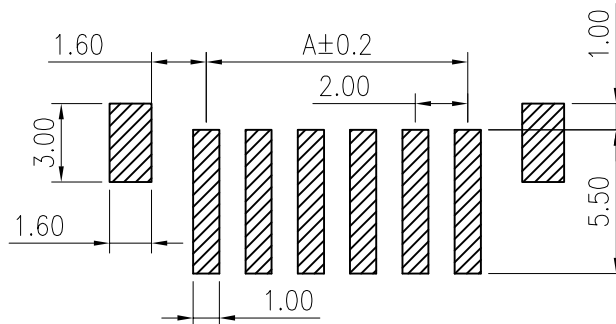
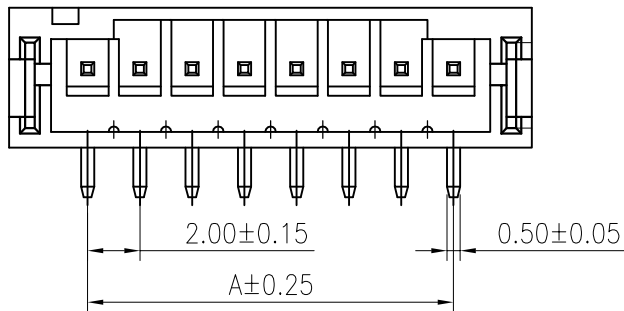
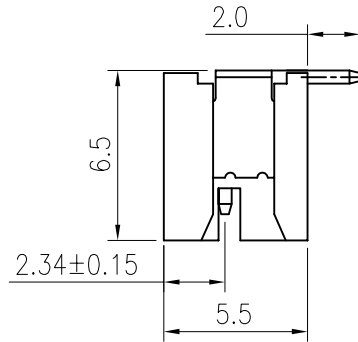
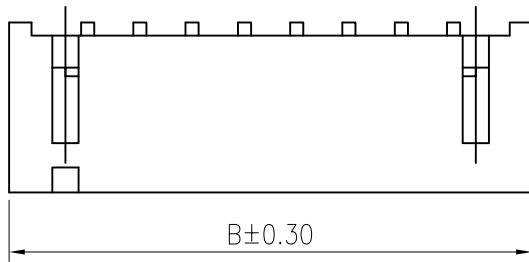
16: 16P

11: PA9T

13: LCP

M01: matte-tin

G01: Gold flash



Recommended P.C.B. Layout  
Total Tolerance: ±0.05mm

PIN NO.	DIMENSIONS		PIN NO.	DIMENSIONS	
	A	B		A	B
02P	2.00	8.00	10P	18.00	24.00
03P	4.00	10.00	11P	20.00	26.00
04P	6.00	12.00	12P	22.00	28.00
05P	8.00	14.00	13P	24.00	30.00
06P	10.00	16.00	14P	26.00	32.00
07P	12.00	18.00	15P	28.00	34.00
08P	14.00	20.00	16P	30.00	36.00
09P	16.00	22.00			

MARK	REVISION DESCRIPTION	SIGNATURE	DATE	TOLERANCE	TITLE:	DRAWN:	REV. :	DRAWING NO. :
A3	Uniformly arrange the drawings	Arvin	2022.01.12	X.X ±0.30	PH 2.0 SMT 180° Wafer	ru yi 2021.09.06	A3	2001WS101-C-S
A2	Change P.C.B Layout Size and view	Arvin	2020.06.16	X.XX ±0.20		CHECKED:		
				X.XXX ±0.10		APPROVED:		
				Angle ±2°	UNIT: mm	SCALE: 1/1	SHEET: 1/1	PROJECTION

KONNRA 东莞市康瑞电子有限公司  
DongGuan Konnra Electronics Co., Ltd.

PART NO. : C2001VS1\*\*11 \*\*\* 01RC

REV. : A3 DRAWING NO. : 2001WS101-C-S