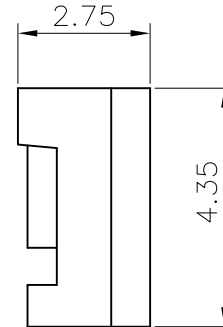
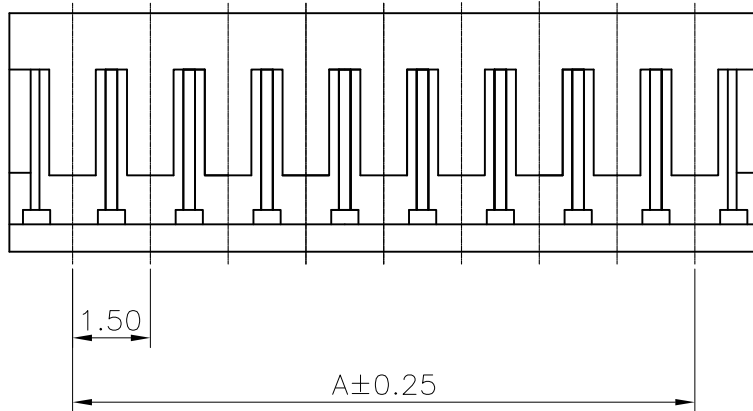
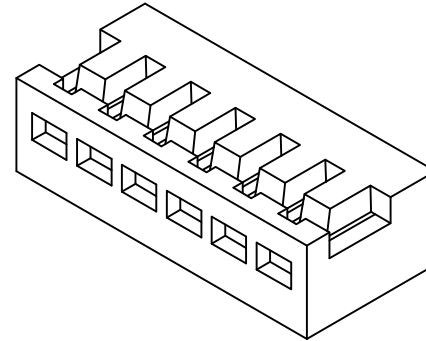
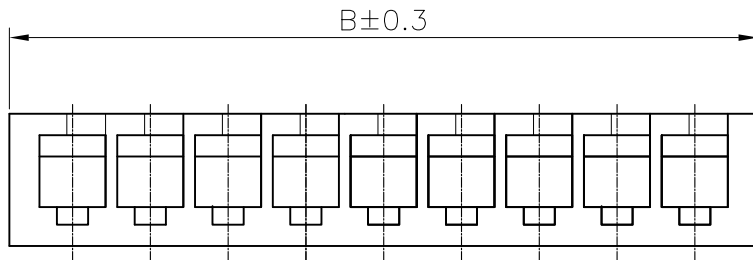


RoHS  
COMPLIANT

◆ SPECIFICATIONS

- Current rating: 1A AC, DC
- Voltage rating: 200V AC, DC
- Temperature range: -40°C ~ +105°C
- Insulation resistance: 500MΩ Min.
- Withstanding voltage: 500V AC/ minute.
- Contact resistance: 20mΩ Max.

Material: Nylon 66 UL 94V-0  
Suitable: KR1502 series Terminal



PART No.	Dimension	
	A	B
H150201020101A	1.50	3.70
H150201030101A	3.00	5.20
H150201040101A	4.50	6.70
H150201050101A	6.00	8.20
H150201060101A	7.50	9.70
H150201070101A	9.00	11.20
H150201080101A	10.50	12.70
H150201090101A	12.00	14.20
H150201100101A	13.50	15.70
H150201110101A	15.00	17.20
H150201120101A	16.5	18.70
H150201130101A	18.00	20.20
H150201140101A	19.50	21.70
H150201150101A	21.00	23.20
H150201160101A	22.50	24.70

F		Uniformly arrange the drawings	Shen	2021.09.28	TOLERANCE X.X ±0.30 X.XX ±0.20 X.XXX ±0.10 Angle ±2°	TITLE: SZN1.5 Housing	DRAWN: Shen 2021.09.28		KONNRA 东莞市康瑞电子有限公司 DongGuan Konnra Electronics Co.,Ltd.	
		Change the part number and frame format	TLX	2020.03.28			CHECKED:			
	MARK		REVISION DESCRIPTION	SIGNATURE			DATE	APPROVED:		
	1	2	3	4	UNIT:mm	SCALE: 1/1	SHEET: 1/1	PROJECTION	REV.: A3	DRAWING NO.: 1502H01-A-S

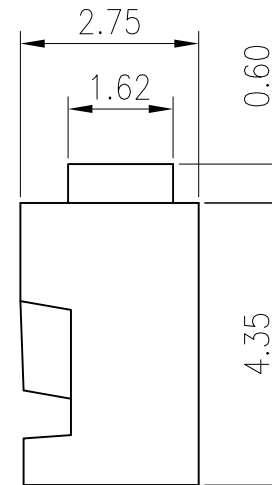
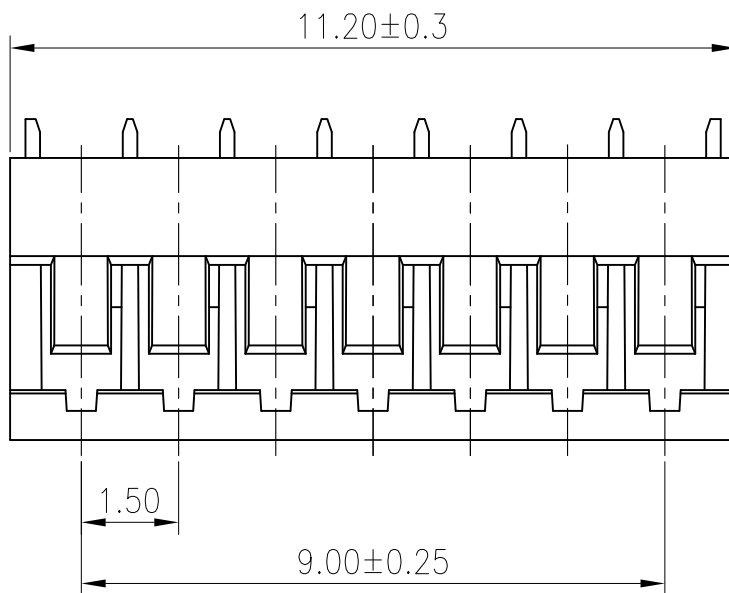
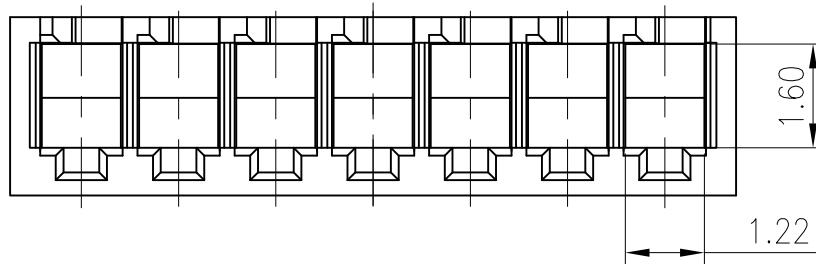
RoHS  
COMPLIANT

◆ SPECIFICATIONS

- Current rating: 1A AC, DC
- Voltage rating: 200V AC, DC
- Temperature range: -40°C ~ +105°C
- Insulation resistance: 500MΩ Min.
- Withstanding voltage: 500V AC/ minute.
- Contact resistance: 20mΩ Max.

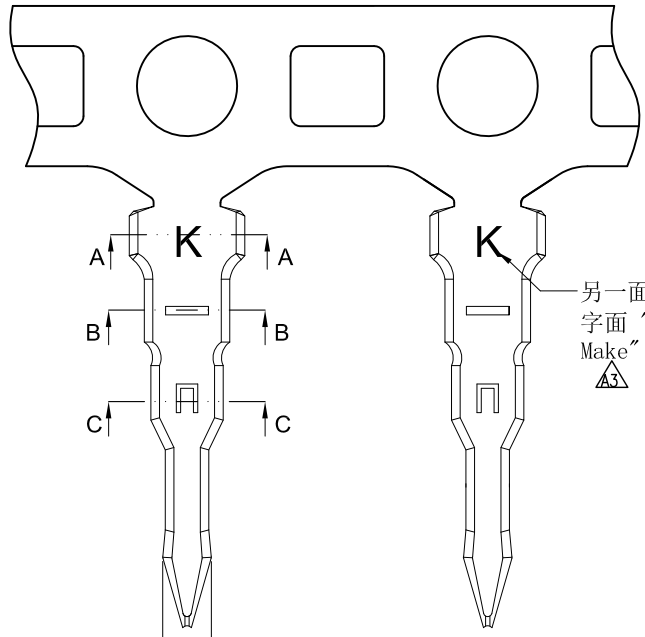
Material: Nylon 66 UL 94V-0  
Suitable: KR1502 series Terminal

PART NO. : H150201070102A

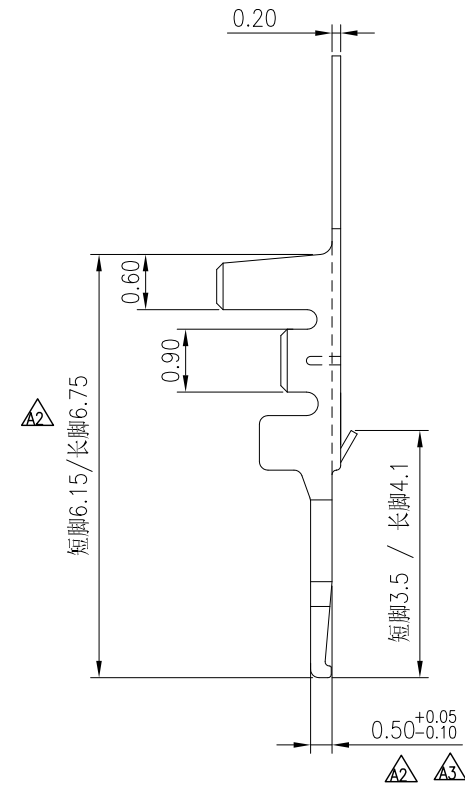


MARK	REVISION DESCRIPTION	SIGNATURE	DATE	TOLERANCE	TITLE:	DRAWN:	CHECKED:	APPROVED:	REV.:	DRAWING NO.:
A3	Uniformly arrange the drawings	Shen	2021.09.28	X.X ±0.30	SZN1.5 Housing 7P (Lengthen the partition)	Shen 2021.09.28			A3	KONNRA 东莞市康瑞电子有限公司 DongGuan Konnra Electronics Co.,Ltd. PART NO.: H150201070102A DRAWING NO.: 1502H02-A-S
A2	Change the part number and frame format	TLX	2020.03.28	X.XX ±0.20						
				X.XXX ±0.10						
				Angle ±2°	UNIT:mm	SCALE:1/1	SHEET:1/1	PROJECTION		

RoHS  
COMPLIANT

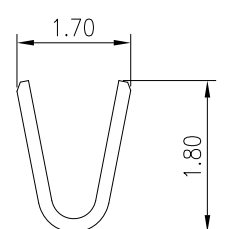


另一面为  
字面  
Make

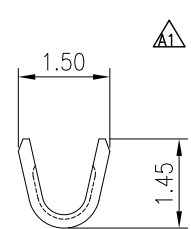


短脚6.15/长脚6.75

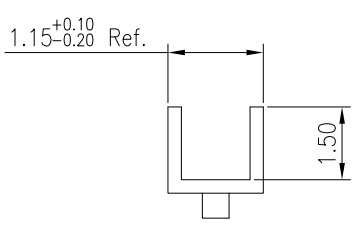
短脚3.5 / 长脚4.1



SECTION:A-A



SECTION:B-B



SECTION:C-C

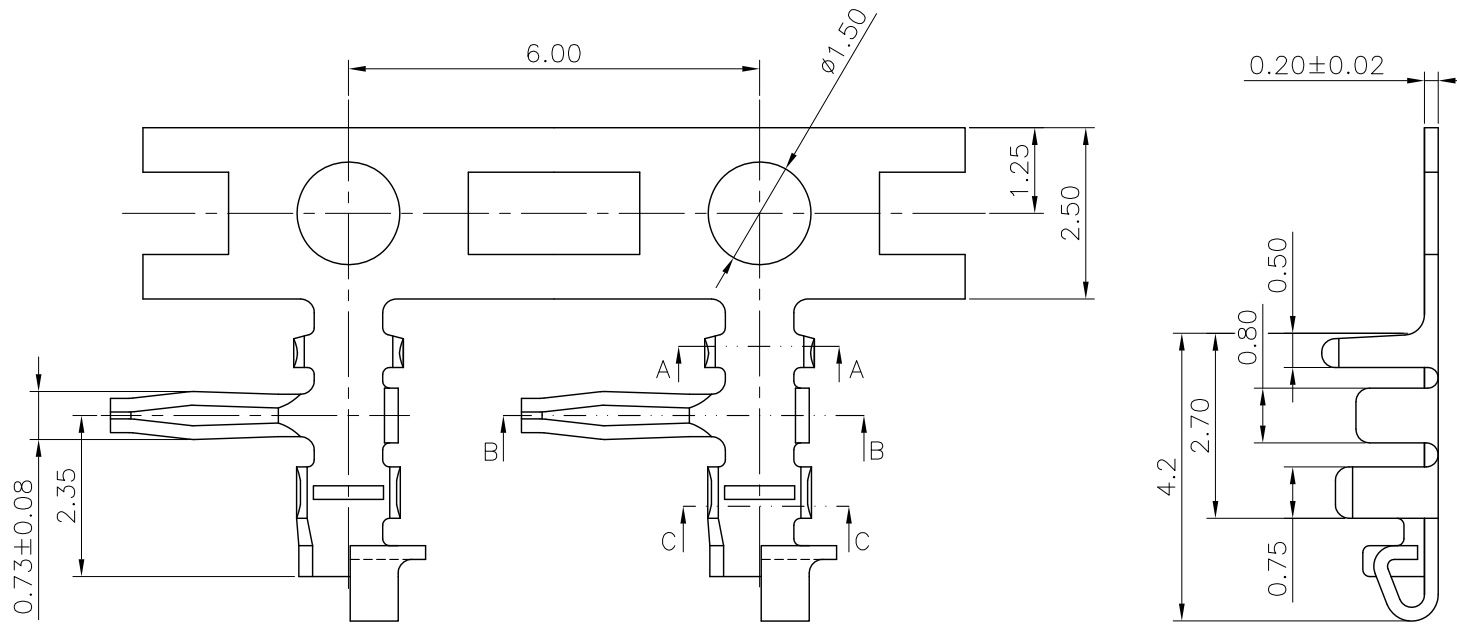
- ◆ SPECIFICATIONS
- Current rating: 1A AC, DC
  - Voltage rating: 200V AC, DC
  - Temperature range: -40°C ~ +105°C
  - Insulation resistance: 500MΩ Min.
  - Withstanding voltage: 500V AC/ minute.
  - Contact resistance: 20mΩ Max.

Material: Phosphor Bronze  
Finish: Tin Plated  
Applicable wires:  
Conductor size: AWG #28~#30  
Insulation O.D: 1.0mm Max.  
Suitable: KR1502 series Housing  
Qty/reel: 15,000PCS

Ordering Code:  
T1502VPT01 \*\* A  
└ Type  
01: Standard  
02: Long

F	△4	Change the part number and frame format	Arvin	2020.12.05	TOLERANCE X.X ±0.3 X.XX ±0.2 X.XXX ±0.1 Angle ±1°	TITLE: SZN1.5 180° Terminal	DRAWN: TLX 2020.04.22		KONNRA 东莞市康瑞电子有限公司 DongGuan Konnra Electronics Co.,Ltd.
	△3	Modify size	Wesley	2020.04.28			CHECKED:		
	△2	Update drawings	TLX	2020.04.22			APPROVED:		
	MARK	REVISION DESCRIPTION	SIGNATURE	DATE			UNIT:mm	SCALE:N/A	

**RoHS**  
COMPLIANT



◆SPECIFICATIONS

- Current rating: 1A AC, DC
- Voltage rating: 200V AC,DC
- Temperature range: -40°C ~ +105°C
- Insulation resistance: 500MΩ Min.
- Withstanding voltage: 500V AC/ minute.
- Contact resistance: 20mΩ Max.

Material: Brass

Finish: Tin Plated

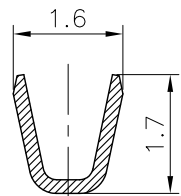
Applicable wires:

Conductor size: AWG #28~#30

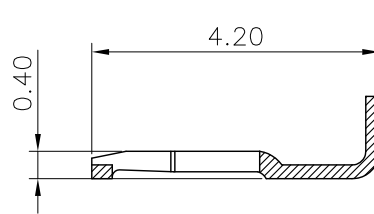
Insulation O.D.: 1.0mm Max.

Suitable: KR1502 series Housing

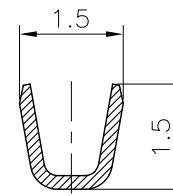
Qty/reel:10,000PCS



SECTION:A-A



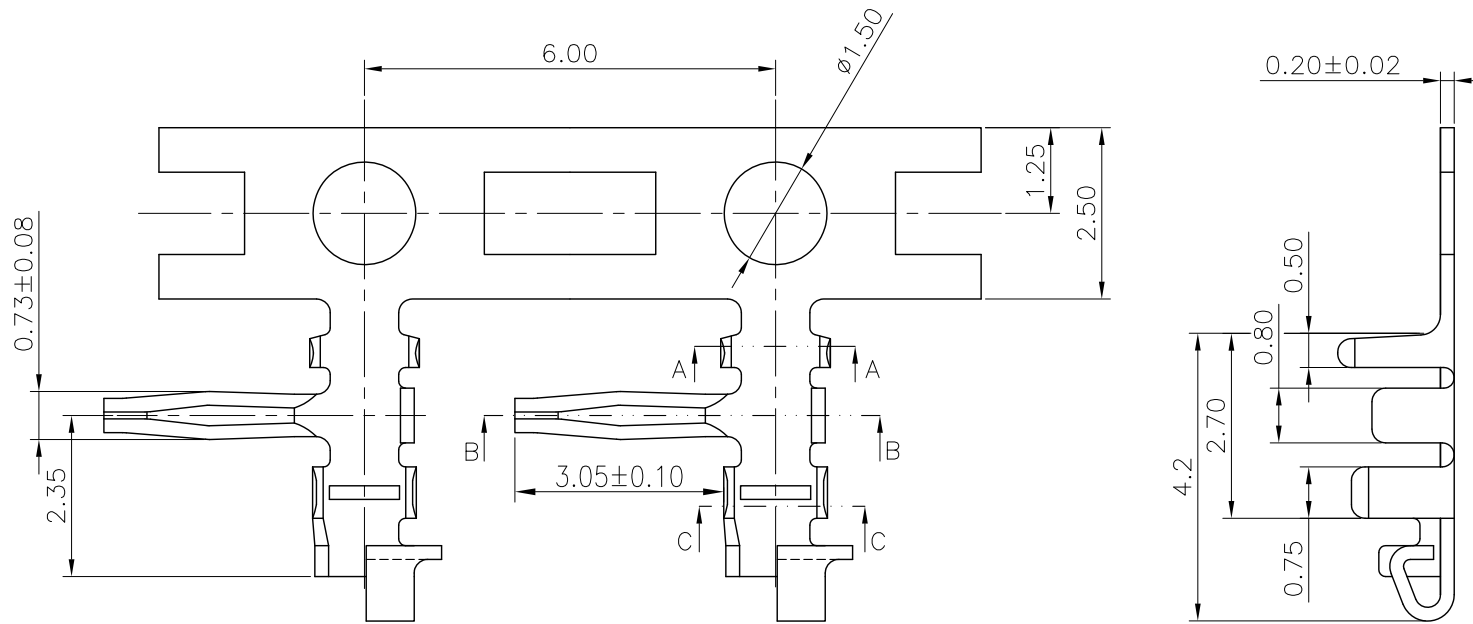
SECTION:B-B



SECTION:C-C

F				TOLERANCE	TITLE:	DRAWN: Shen 2021.09.14	KONNRA 东莞市康瑞电子有限公司 DongGuan Konnra Electronics Co.,Ltd.			
		Uniformly arrange the drawings	Shen	2021.09.14	SZN1.5 90° Terminal	CHECKED:				
		Change the part number and frame format	TLX	2020.05.14		APPROVED:	PART NO.: T1502RBT0101A			
	MARK	REVISION DESCRIPTION	SIGNATURE	DATE	Angle $\pm 1^\circ$	UNIT:mm	SCALE:1/1	SHEET:1/1	PROJECTION	REV.:A3

**RoHS**  
COMPLIANT



◆ SPECIFICATIONS

- Current rating: 1A AC, DC
- Voltage rating: 200V AC, DC
- Temperature range: -40°C ~ +105°C
- Insulation resistance: 500MΩ Min.
- Withstanding voltage: 500V AC/ minute.
- Contact resistance: 20mΩ Max.

Material: Brass

Finish: Tin Plated

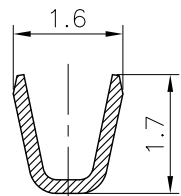
Applicable wires:

Conductor size: AWG #28~#30

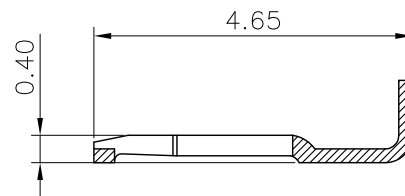
Insulation O.D: 1.0mm Max.

Suitable: KR1502 series Housing

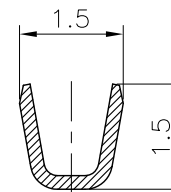
Qty/reel: 10,000PCS



SECTION:A-A



SECTION:B-B



SECTION:C-C

F				TOLERANCE	TITLE: SZN1.5 90° Terminal Lengthen	DRAWN: Shen 2021.09.14		KONNRA 东莞市康瑞电子有限公司 DongGuan Konnra Electronics Co.,Ltd.		
		Uniformly arrange the drawings	Shen	2021.09.14		CHECKED:				
		Change the part number and frame format	TLX	2020.05.14		APPROVED:		PART NO.: T1502RBT0102A		
	MARK	REVISION DESCRIPTION	SIGNATURE	DATE		Angle ±1°	UNIT:mm	SCALE:1/1	SHEET:1/1	PROJECTION