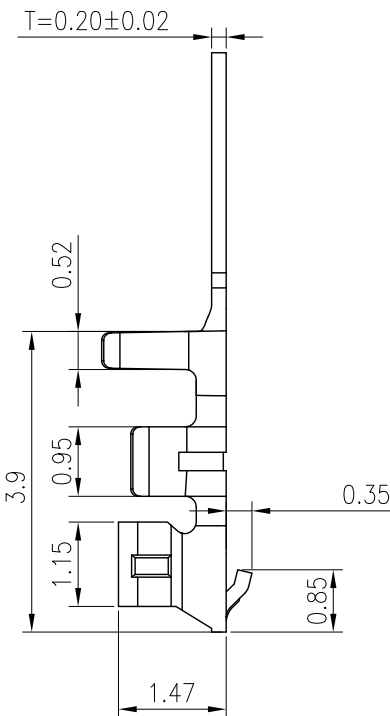
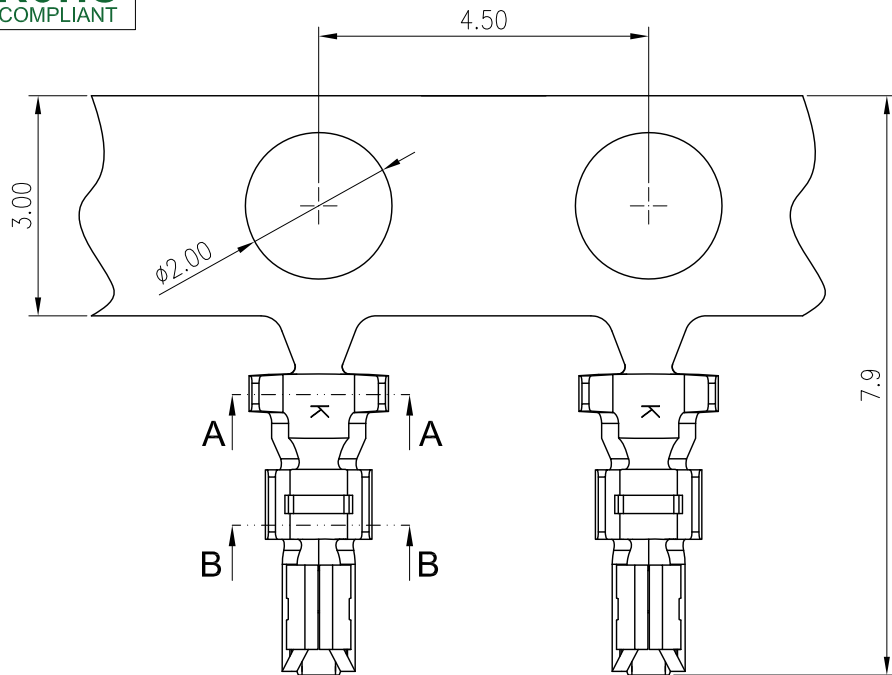


RoHS
COMPLIANT



◆ SPECIFICATIONS

- Current rating: 1A AC, DC
- Voltage rating: 100V AC, DC
- Temperature range: -40°C ~ +105°C
- Insulation resistance: 500MΩ Min.
- Withstanding voltage: 500V AC/ minute.
- Contact resistance: 20m Ω Max.

Material: Brass or Phosphor bronze

Finish: Tin Plated over Nickel

Applicable wires:

AWG #26~#30

Insulation O.D.: 1.10mm Max / 0.80mm Min .

Suitable KR1501 series housing

Mates with KR1501 series wafer

Q'ty/reel: 20,000PCS

Ordering Code:

T15010****01A

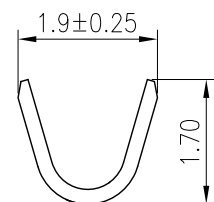
B:Brass

S00:Material

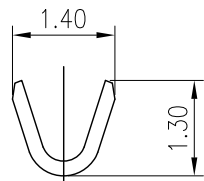
P:Phosphorus

T01:Bright Tin

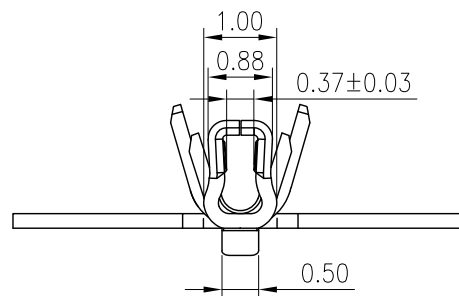
copper



SECTION A-A



SECTION B-B



MARK	REVISION DESCRIPTION	SIGNATURE	DATE	TOLERANCE	TITLE:	DRAWN:	REV.:	DRAWING NO.:
A3	Uniformly arrange the drawings	Shen	2021.09.22	X.X ±0.30	ZH 1.5 Terminal	Shen 2021.09.22	A3	1501T02-A-S
A2	Change the part number and frame format	TLX	2020.05.14	X.XX ±0.20		CHECKED:		
				X.XXX ±0.10		APPROVED:		
				Angle ±2°	UNIT:mm	SCALE:1/1	SHEET:1/1	PROJECTION

KONNRA 东莞市康瑞电子有限公司
DongGuan Konnra Electronics Co.,Ltd.

PART NO.: T15010****01A

REV.: A3