

RoHS
COMPLIANT

◆ SPECIFICATIONS

- Current rating: 2.5A AC, DC
- Voltage rating: 250V AC, DC
- Temperature range: -25°C ~ +85°C
- Insulation resistance: 1000MΩ Min.
- Withstanding voltage: 500V AC/ minute.
- Contact resistance: 20mΩ Max.

Material:

Insulator: Nylon 6T UL 94V-0

Contact: Brass

Plating: Tin plated over Nickel

Suitable: KR1500 series Housing

C1500VS1**13M0112RA

02: 2P

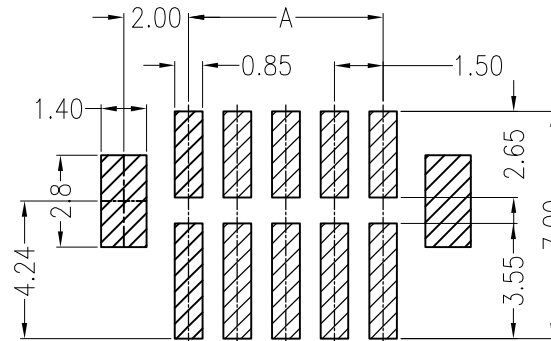
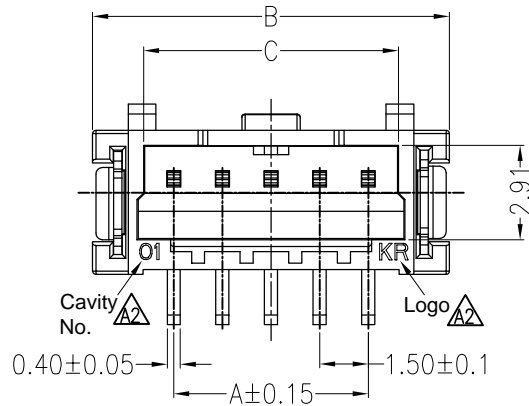
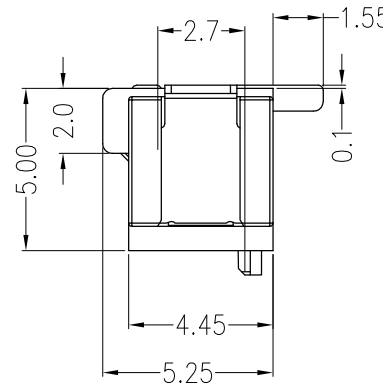
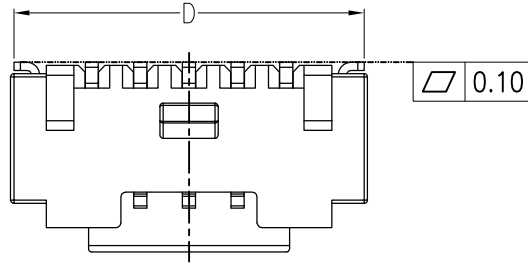
16: 16P

13: LCP Nature

M01: Tin Plating

R: Reel Package

With Ground and clip



Recommended P.C.B. Layout
Total tolerance: ±0.05mm

PIN NO.	DIMENSIONS			
	A	B	C	D
02P	1.50	6.50	3.35	6.30
03P	3.00	8.00	4.85	7.80
04P	4.50	9.50	6.35	9.30
05P	6.00	11.00	7.85	10.80
06P	7.50	12.50	9.35	12.30
07P	9.00	14.00	10.85	13.80
08P	10.50	15.50	12.35	15.30
09P	12.00	17.00	13.85	16.80
10P	13.50	18.50	15.35	18.30
11P	15.00	20.00	16.85	19.80
12P	16.50	21.50	18.35	21.30
13P	18.00	23.00	19.85	22.80
14P	19.50	24.50	21.35	24.30
15P	21.00	26.00	22.35	25.80

F		Uniform identification and cavity number locations	Arvin	2022.05.30	TOLERANCE X. X ±0.30 X. XX ±0.25 X. XXX ±0.10 Angle ±3°	TITLE: MX 1.5_WF SMT 180° _B TYPE	DRAWN: ZZN 2021.07.27		KONNRA 东莞市康瑞电子有限公司 DongGuan Konnra Electronics Co., Ltd.	
		The First Issue	ZZN	2021.07.27			CHECKED:		APPROVED:	
MARK	REVISION DESCRIPTION	SIGNATURE	DATE	UNIT: mm	SCALE: 1:1	SHEET: 1/1	PROJECTION	REV. : A2	DRAWING NO. : 1500WS12-A-S	
1	2	3	4	5	6	7	8	9		