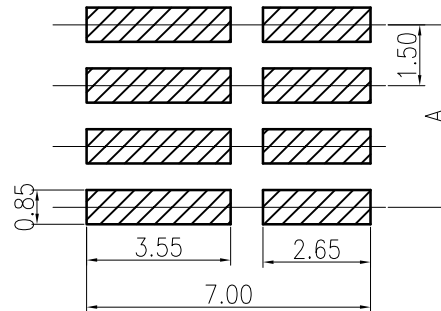
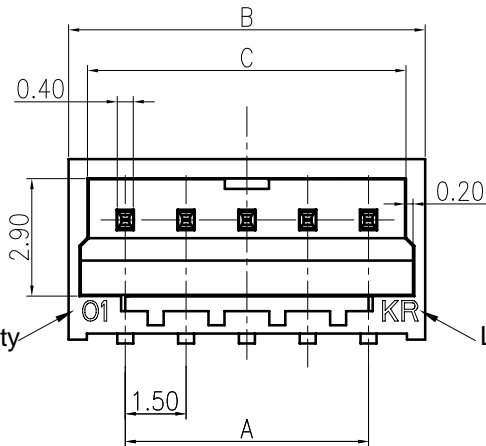
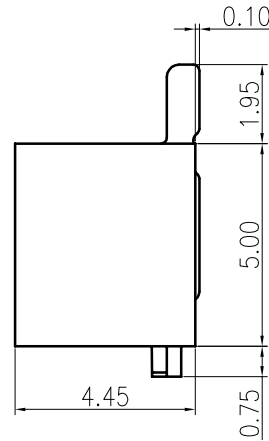
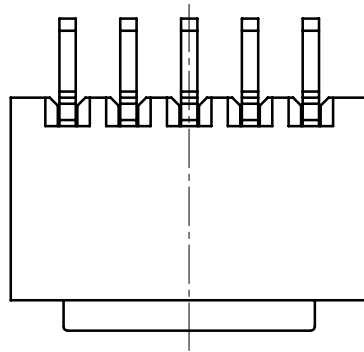


RoHS
COMPLIANT



P.C.Board Layout

SPECIFICATIONS

1. Current rating: 2.5A Max. AC, DC
2. Voltage rating: 250V AC,DC
3. Temperature range: -40°C ~ +105°C
4. Insulation resistance:1000MΩ Min.
5. Withstanding voltage: 500V AC/ minute.
6. Contact resistance: 20mΩ Max.

Material:

Insulator: LCP UL 94V-0
Contact: Brass
Plating: Tin plated over Nickel
Suitable: KR1500 series Housing

Ordering Code:

C1500RS 1** 13 M01 01 R A

02: 2P
15: 15P

13: LCP Natural

M01: Matte tin

R: Reel
P: Bag

Dimensions

Pin	A	B	C
2P	1.50	4.30	3.35
3P	3.00	5.80	4.85
4P	4.50	7.30	6.35
5P	6.00	8.80	7.85
6P	7.50	10.30	9.35
7P	9.00	11.80	10.85
8P	10.50	13.30	12.35
9P	12.00	14.80	13.85
10P	13.50	16.30	15.35
11P	15.00	17.80	16.85
12P	16.50	19.30	18.35
13P	18.00	20.80	19.85
14P	19.50	22.30	21.35
15P	21.00	23.80	22.85

F	Uniform identification and cavity number locations	Arvin	2022.05.30	TOLERANCE X. X ± 0.30 X. XX ± 0.20 X. XXX ± 0.10 Angle ± 2°	TITLE: MK1.5 SMT 90° Wafer	DRAWN: Shen 2021.10.15		KONNRA 东莞市康瑞电子有限公司 DongGuan Konnra Electronics Co., Ltd.	
	Uniformly arrange the drawings	Shen	2021.10.15			CHECKED:			
	Change the part number and frame format	Ru yi	2020.3.10			APPROVED:			
MARK	REVISION DESCRIPTION	SIGNATURE	DATE	UNIT: mm	SCALE: 1/1	SHEET: 1/1	PROJECTION	REV.: A4	DRAWING NO.: 1500WHS01-A-S