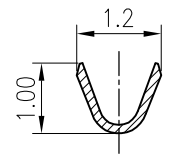
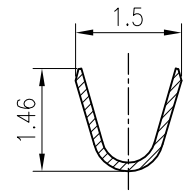
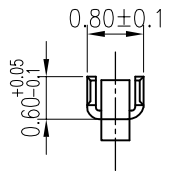
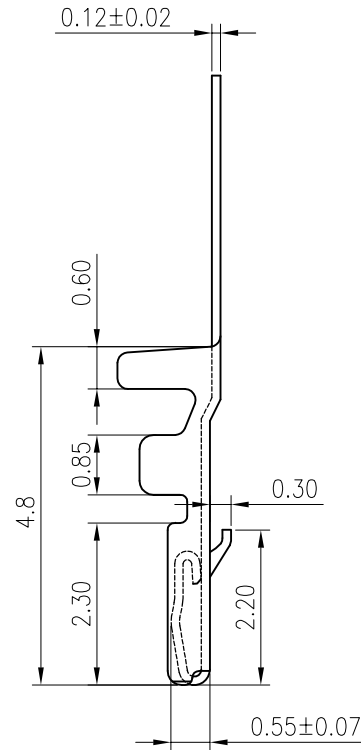
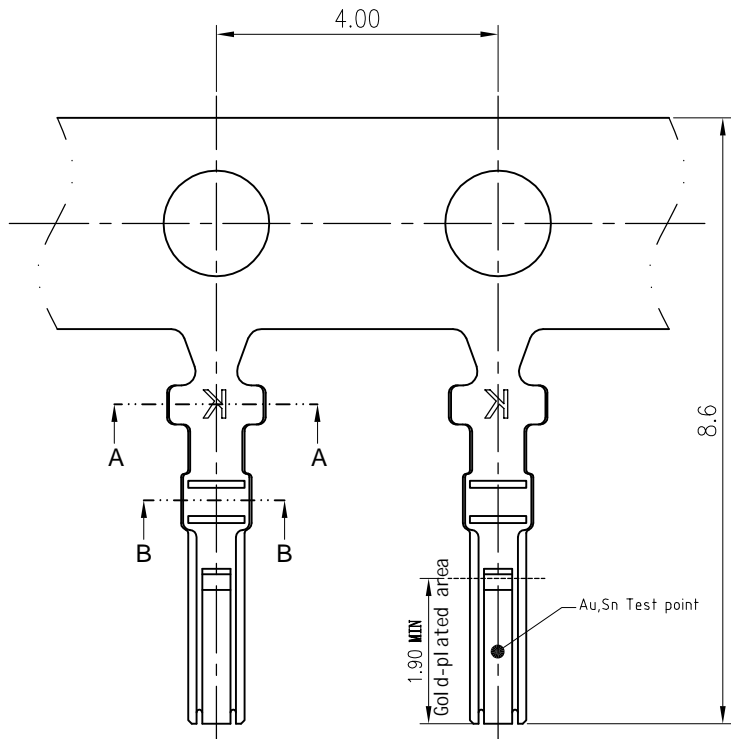


RoHS  
COMPLIANT



SECTION:A-A

SECTION:B-B

**SPECIFICATIONS**

1. Current rating: 1A AC, DC
2. Voltage rating: 50V AC, DC
3. Temperature range: -40°C ~ +105°C
4. Insulation resistance: 100MΩ/ min.
5. Withstanding voltage: 500V AC/ minute.
6. Contact resistance: 30mΩ/ max.

Material: Phosphor Bronze

Applicable wires:

Conductor size: AWG#26~#30

Insulation O.D. : 1.0mm Max.

Finish: Tin plated or Gold plated contact area

Suitable KR1259 Series Housing

Mates With KR1259 Series Wafer

Q'TY/Reel: 20,000PCS

Ordering Code:

T12590P \*\*\* 01A

S00:Material

T01:Sn

B08:Half Au,Ni

G08:Au40u"

F		Uniformly arrange the drawings	Shen	2021.09.06	TOLERANCE X. X ±0.20 X. XX ±0.15 X. XXX ±0.08 Angle ±2°	TITLE: GH1.25 Terminal	DRAWN: Shen 2021.09.06		KONNRA 东莞市康瑞电子有限公司		
		Change the part number and frame format	TLX	2020.05.08			CHECKED:		DongGuan Konnra Electronics Co., Ltd.		
MARK	REVISION DESCRIPTION	SIGNATURE	DATE	UNIT: mm	SCALE: 1/1	SHEET: 1/1	PROJECTION	REV. : A4	PART NO. : T12590P***01A		
1	2	3	4	5	6	7	8	DRAWING NO. : 1259T01-A-S			