

RoHS
COMPLIANT

SPECIFICATIONS

1. Current rating: 1A AC, DC
2. Voltage rating: 50V AC, DC
3. Temperature range: -40°C ~ +105°C
4. Insulation resistance: 100MΩ/ min.
5. Withstanding voltage: 500V AC/ minute.
6. Contact resistance: 30mΩ/ max.

Material:

Insulator: PA6T UL94V-0
 Contact: Phosphor bronze
 Solder tabs: Brass
 Finish: Tin plated or selective gold plated over nickel
 Mate With KR1259 series housing

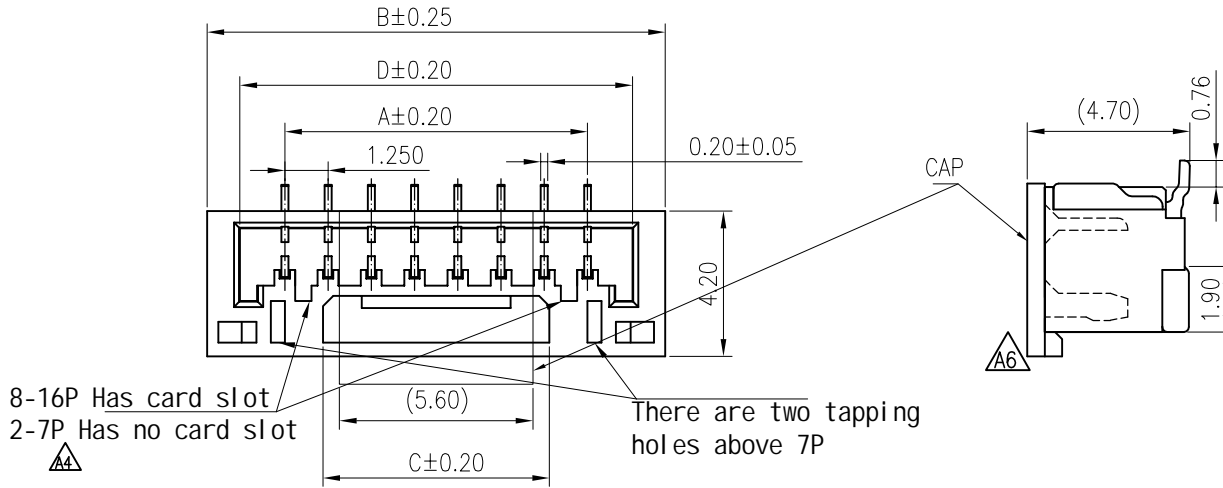
Ordering code:

C1259VS ***09 M01 ** RA

102: 2P 01: Has no card slot
 114: 14P 03: Has card slot

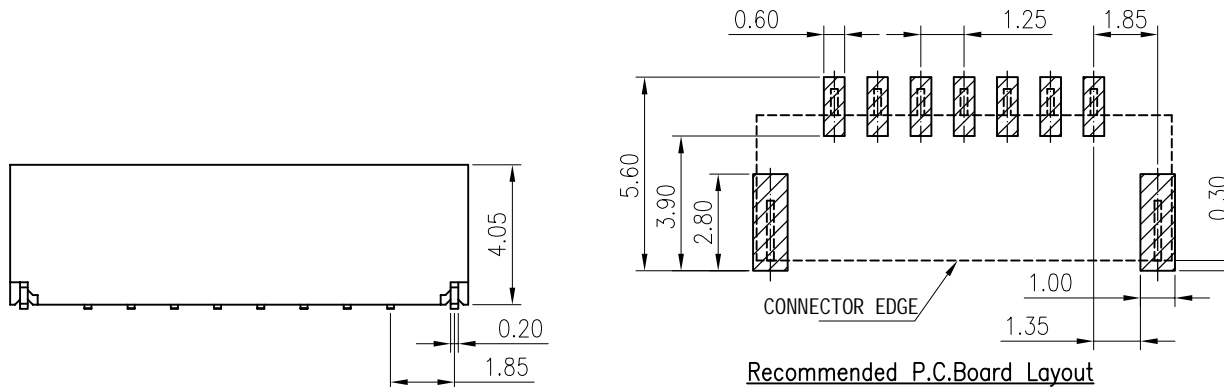
09: PA6T Natural
 11: PA9T Natural

M01: Matte TIN
 B01: Half Gold & Matte Tin



8-16P Has card slot
 2-7P Has no card slot

There are two tapping holes above 7P



Recommended P.C.Board Layout

PIN No	DIMENSIONS			
	A	B	C	D
2P	1.25	5.75	2.20	3.75
3P	2.50	7.00	3.30	5.00
4P	3.75	8.25	4.55	6.25
5P	5.00	9.50	4.55	7.50
6P	6.25	10.75	6.55	8.75
7P	7.50	12.00	6.55	10.00
8P	8.75	13.25	6.55	11.25
9P	10.00	14.50	6.55	12.50
10P	11.25	15.75	8.55	13.75
11P	12.50	17.00	8.55	15.00
12P	13.75	18.25	8.55	16.25
13P	15.00	19.50	8.55	17.50
14P	16.25	20.75	8.55	18.75
15P	17.50	22.00	8.55	20.00
16P	18.75	23.25	8.55	21.25

	Add specification	ZSZ	2022.8.9	TOLERANCE X. X ±0.30 X. XX ±0.20 X. XXX ±0.10 Angle ±2°	TITLE: GH 1.25 SMT 180° Wafer	DRAWN: Shen 2021.09.03		KONNRA 东莞市康瑞电子有限公司 DongGuan Konnra Electronics Co., Ltd.	
	Change Cap	Arvin	2022.3.18			CHECKED:		PART NO.: C1259VS***09****RA	
	Uniformly arrange the drawings	Shen	2021.9.3			APPROVED:		REV.: A7 DRAWING NO.: 1259WS01-A-S	
MARK	REVISION DESCRIPTION	SIGNATURE	DATE			UNIT: mm	SCALE: 1/1	SHEET: 1/1	PROJECTION