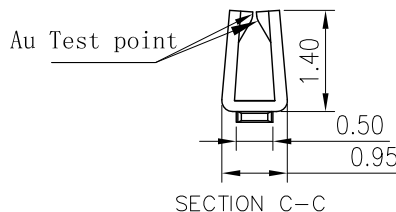
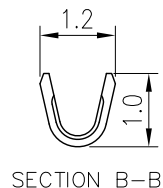
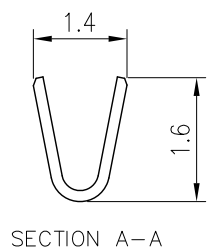
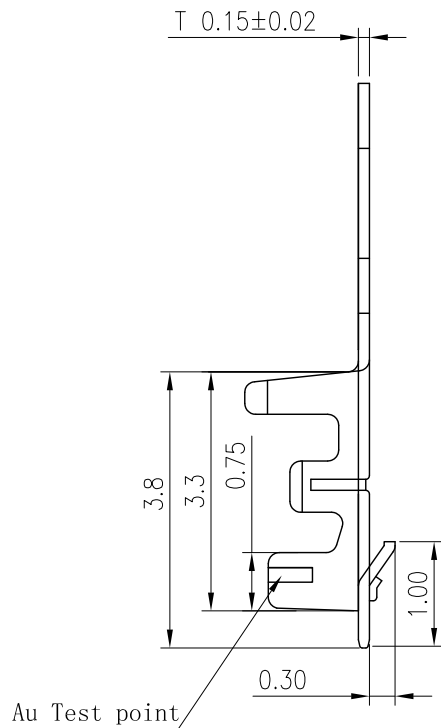
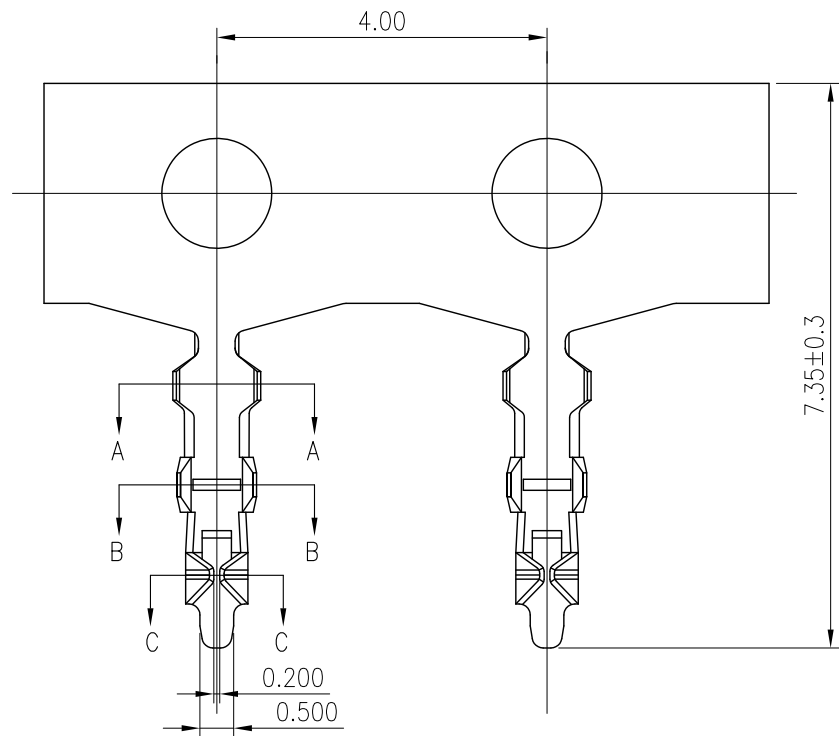


RoHS
COMPLIANT



SPECIFICATIONS

1. Current rating: 1A AC, DC
2. Voltage rating: 150V AC,DC
3. Temperature range: -40°C ~ +105°C
4. Insulation resistance: 500MΩ Min.
5. Withstanding voltage: 500V AC/ minute.
6. Contact resistance: 30mΩ Max.

Applicable Wires:

AWG#28~#32

Insulation O.D : 1.00mm MAX

Material: Phosphor Bronze

Finish: Tin or gold Plated over Nickel

Suitable KR1256 series housing

A2 T12560P *** 01A

T01:Sn

G01:All Au

G04:All Au5u"

S00:Material

F		Uniformly arrange the drawings	Shen	2021.08.31	TOLERANCE X.X ±0.30 X.XX ±0.20 X.XXX ±0.10 Angle ±2°	TITLE: DF13 Terminal A Type	DRAWN: <i>Shen 2021.08.31</i>		KONNRA 东莞市康瑞电子有限公司 DongGuan Konnra Electronics Co.,Ltd.		
		Change the part number and frame format	LJT	2020.04.01			CHECKED:		PART NO.: T12560P***01A		
	MARK	REVISION DESCRIPTION	SIGNATURE	DATE	UNIT:mm	SCALE: 1/1	SHEET: 1/1	PROJECTION	REV.: A3	DRAWING NO.: 1256T101-A-S	
	1	2	3	4	5	6	7	8	9		