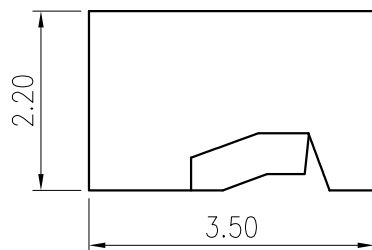
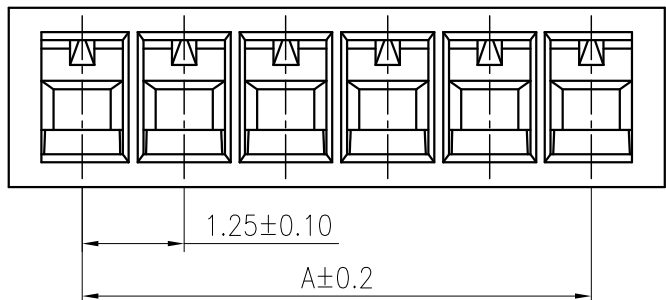


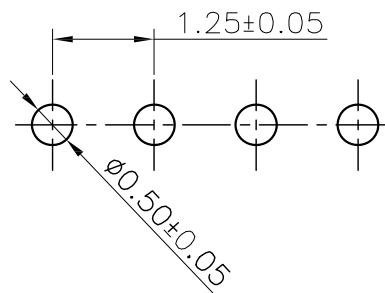
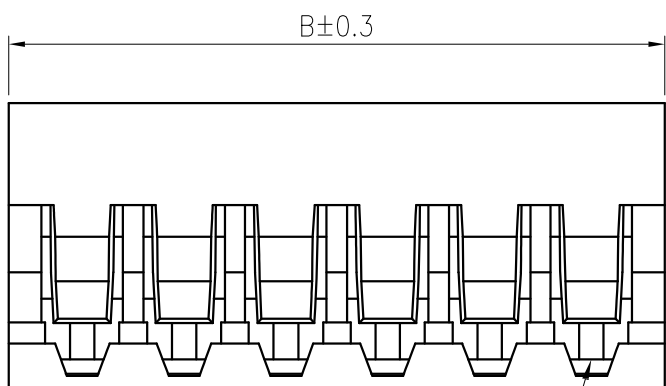
RoHS
COMPLIANT



◆ SPECIFICATIONS

Current rating: 1A AC, DC
Voltage rating: 125V AC, DC
Temperature range: -40°C ~ +105°C
Insulation resistance: 100MΩ/ min.
Withstanding voltage: 250V AC/ minute.
Contact resistance: 20m Ω/ max.

Material: Nylon 66 UL94 V-0
Suitable: 1252 series Terminal



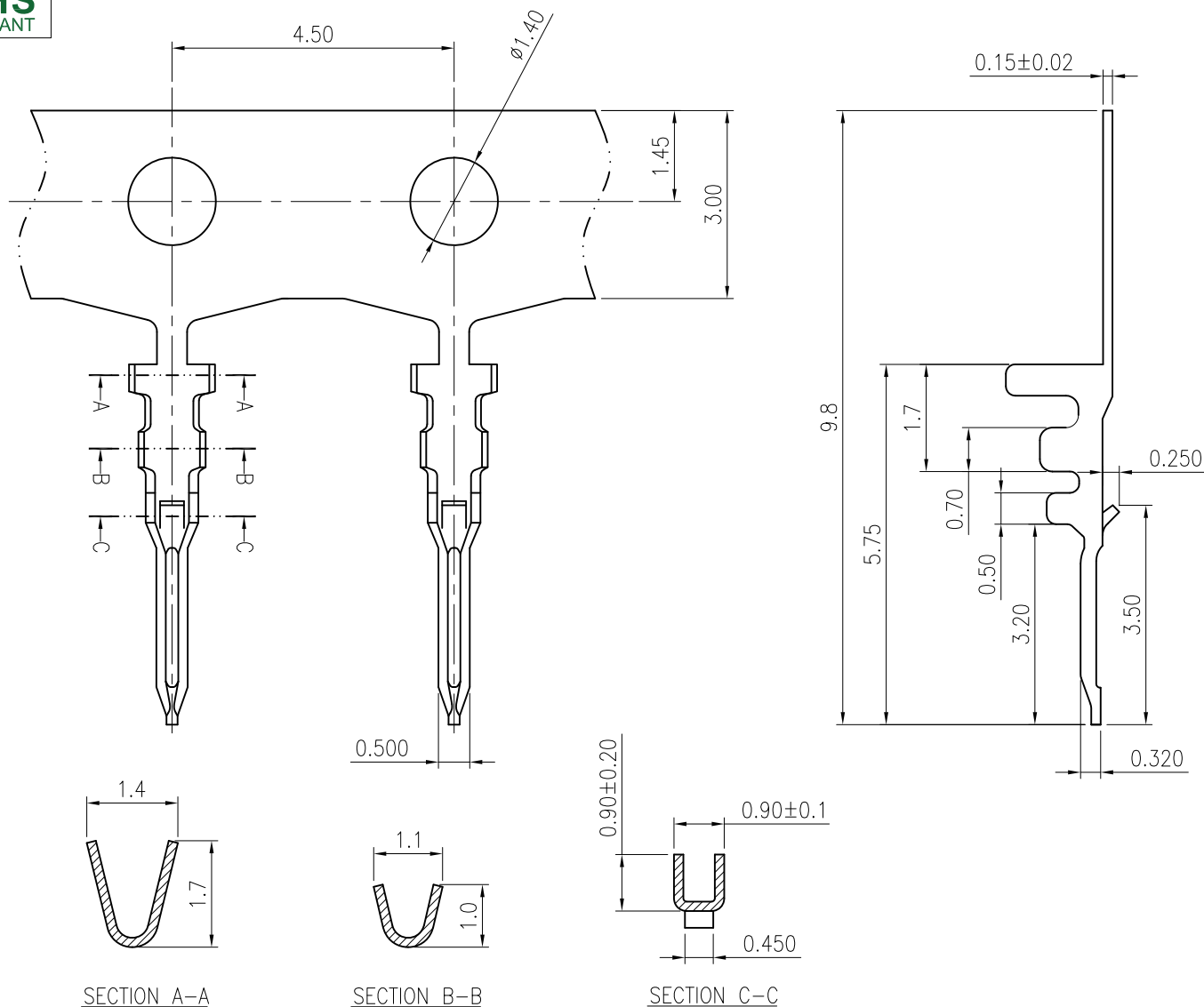
Recommended P.C.Board Layout
Total Tolerance: ±0.05mm

Part No	A	B
H125201020101A	1.25	3.00
H125201030101A	2.50	4.25
H125201040101A	3.75	5.50
H125201050101A	5.00	6.75
H125201060101A	6.25	8.00
H125201070101A	7.50	9.25
H125201080101A	8.75	10.50
H125201090101A	10.00	11.75
H125201100101A	11.25	13.00
H125201110101A	12.50	14.25
H125201120101A	13.75	15.50
H125201130101A	15.00	16.75
H125201140101A	16.25	18.00
H125201150101A	17.50	19.25
H125201160101A	18.75	20.50

Circuit 1

MARK	REVISION	DESCRIPTION	SIGNATURE	DATE	TOLERANCE	TITLE:	DRAWN:	CHECKED:	APPROVED:	REV.:	DRAWING NO.:
A3	1	Uniformly arrange the drawings	Shen	2021.08.30	X.X ±0.30	MX1.25 Base plate Housing	Shen 2021.08.30			A3	KONNRA 东莞市康瑞电子有限公司 DongGuan Konnra Electronics Co.,Ltd. PART NO.: H125201**0101A DRAWING NO.: 1252H101-A-S
A2	2	Change the part number and frame format	TLX	2020.03.20	X.XX ±0.20						
	3				X.XXX ±0.10						
	4				Angle ±3°	UNIT:mm	SCALE:1/1	SHEET:1/1	PROJECTION		

RoHS
COMPLIANT

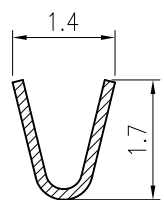
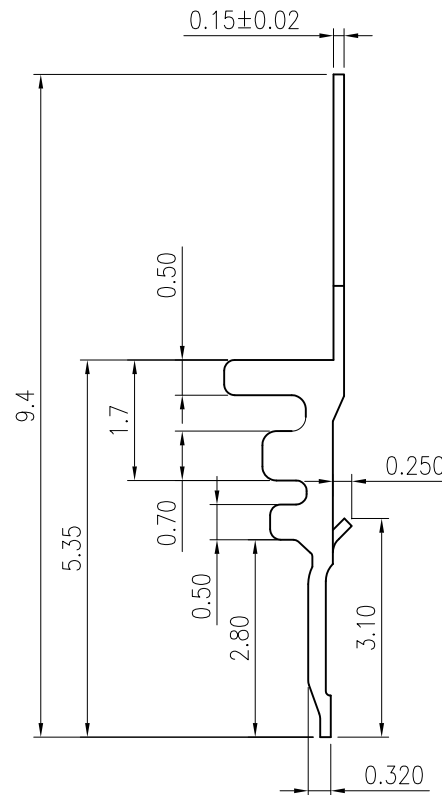
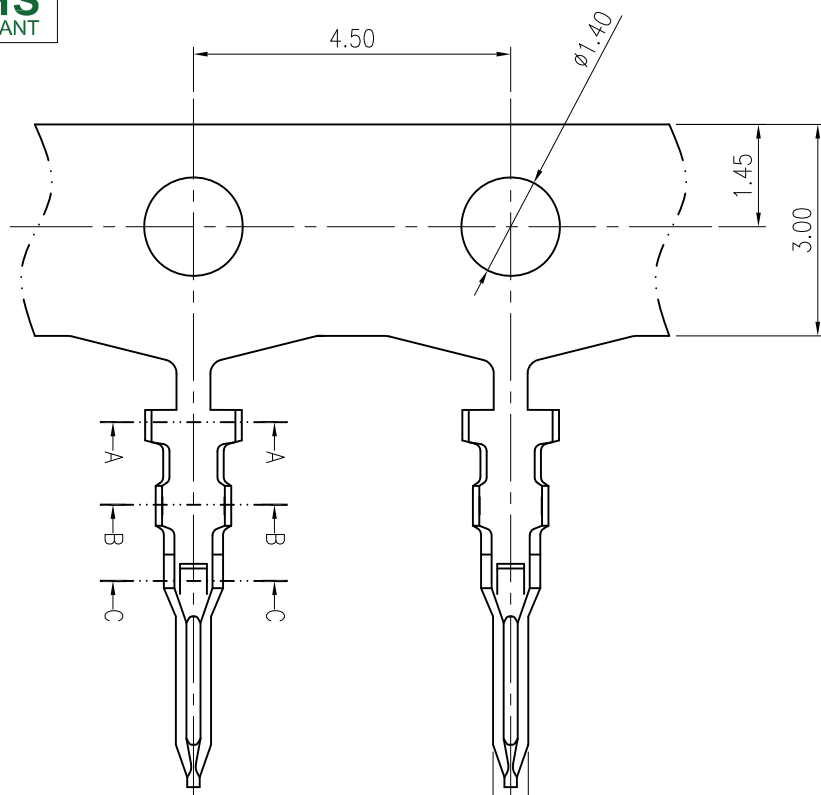


◆ SPECIFICATIONS
 Current rating: 1A AC, DC
 Voltage rating: 125V AC, DC
 Temperature range: -40°C ~ +105°C
 Insulation resistance: 100MΩ/ min.
 Withstanding voltage: 250V AC/ minute.
 Contact resistance: 20mΩ/ max.

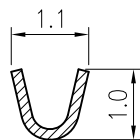
Material: PHOSPHOR BRONZE
 Applicable wires:
 Conductor size: AWG#28-#32
 Insulation O.D.: 1.00mm Max.
 Plating: Tin plated
 Suitable: 1252 series Housing

				TOLERANCE		TITLE:		DRAWN: Shen 2021.08.30		KONNRA 东莞市康瑞电子有限公司	
F		A3		Uniformly arrange the drawings		Shen		2021.08.30		DongGuan Konnra Electronics Co.,Ltd.	
		A2		Change the part number and frame format		TLX		2020.03.20		PART NO.: T12520PT0101A	
MARK		REVISION DESCRIPTION		SIGNATURE		DATE		Angle ±2°		UNIT:mm SCALE:1/1 SHEET:1/1 PROJECTION	
1		2		3		4		5		6	
7		8		9							

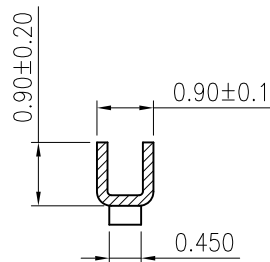
RoHS
COMPLIANT



SECTION A-A



SECTION B-B



SECTION C-C

◆SPECIFICATIONS

Current rating: 1A AC, DC
Voltage rating: 125V AC, DC
Temperature range: -40°C ~ +105°C
Insulation resistance: 100MΩ/ min.
Withstanding voltage: 250V AC/ minute.
Contact resistance: 20m Ω/ max.

Material: PHOSPHOR BRONZE

Applicable wires:

Conductor size: AWG#28-#32

Insulation O.D.: 1.00mm Max.

Plating: Tin plated

Suitable: 1252 series Housing

				TOLERANCE	TITLE:		DRAWN: Shen 2021.08.30		KONNRA 东莞市康瑞电子有限公司	
F		Uniformly arrange the drawings	Shen	2021.08.30	MX1.25 Base plate Terminal		CHECKED:		DongGuan Konnra Electronics Co.,Ltd.	
		Change the part number and frame format	TLX	2020.03.20			APPROVED:		PART NO.: T12520PT0102A	
MARK	REVISION DESCRIPTION	SIGNATURE	DATE	X.X ±0.30	UNIT:mm	SCALE: 1/1	SHEET: 1/1	PROJECTION	REV.: A3	DRAWING NO.: 1252T02-A-S
				X.XX ±0.20						
				X.XXX ±0.10						
				Angle ±2°						