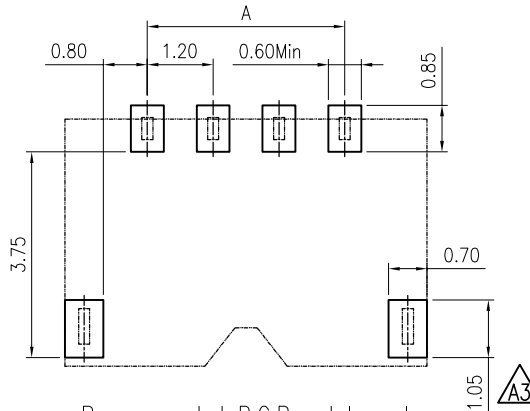
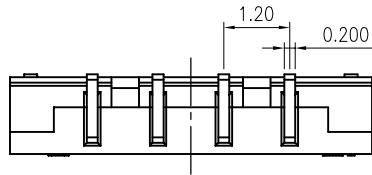
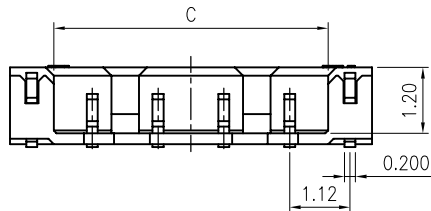
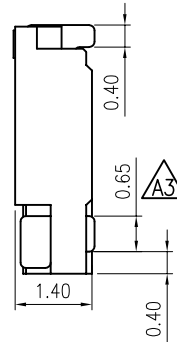
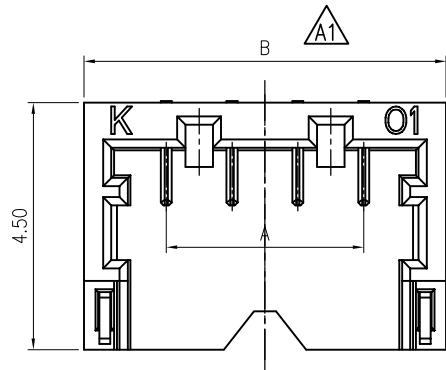


**RoHS**  
COMPLIANT



Recommended P.C.Board Layout  
Total tolerance:±0.05mm



◆SPECIFICATIONS

- Current rating: 1.5A AC, DC
- Voltage rating: 50V AC,DC
- Temperature range: -40°C ~ +105°C
- Insulation resistance: 100MΩ Min.
- Withstanding voltage: 500V AC/ minute.
- Contact resistance: 20m Ω Max.

Material:

Insulator: PA9T/LCP UL 94V-0  
Contact: Phosphor bronze  
Solder Tab: Brass

Plating:

Contact: Gold plated over nickel  
Solder Tab: Tin plated over nickel

Circuits: 2-8

Suitable: 1201 series Housing

C1201RS \*\*\* \*\* G02 01 RA

PIN 102=2P 103=3P.....

00: Halogen free  
01: Standard

Material:  
13: LCP Natural  
11: PA9T Natural

PIN NO.	DIMENSIONS		
	A	B	C
02P	1.20	4.30	2.64
03P	2.40	5.50	3.84
04P	3.60	6.70	5.04
05P	4.80	7.90	6.24
06P	6.00	9.10	7.44
07P	7.20	10.30	8.64

△A4			
△A3	Change the Solder tail size from 0.40 to 0.65	Ru yi	2021.10.21
△A2	Change the part number and frame format	Ru yi	2020.3.10

TOLERANCE  
X.X ±0.30  
X.XX ±0.20  
X.XXX ±0.10  
Angle ±2°

TITLE:  
ACH1.2 SM<sup>90°</sup> Wafer

UNIT: mm SCALE: N/A

DRAWN: ru yi 2020.03.10

CHECKED:

APPROVED:

SHEET: 1/1 PROJECTION

**KONNRA** 东莞市康瑞电子有限公司  
DongGuan Konnra Electronics Co.,Ltd.

PART NO. : C1201RS\*\*\*\*\*G0201RA

REV. : A3 DRAWING NO. : 1201WHS101-A-S