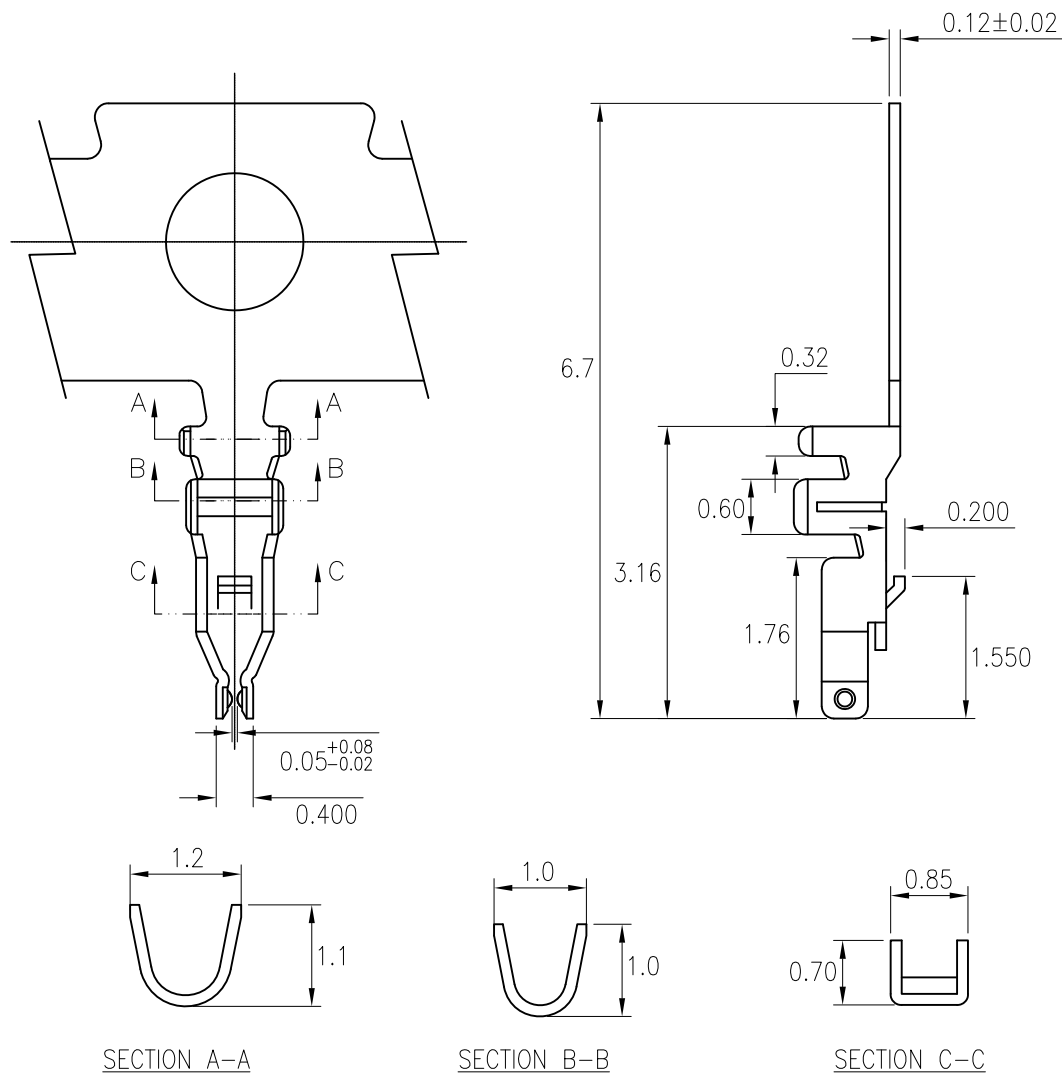


RoHS
COMPLIANT



◆ SPECIFICATIONS

- Current rating: 1.5A AC, DC
- Voltage rating: 50V AC, DC
- Temperature range: -40°C ~ +105°C
- Insulation resistance: 100MΩ Min.
- Withstanding voltage: 500V AC/ minute.
- Contact resistance: 20m Ω Max.

Applicable Wires:

AWG#28~#30

Insulation O.D. : 0.75mm MAX

Material: Phosphor Bronze

Finish: Gold-plated over Nickel

Suitable: 1200 series Crimp Housing

Q'ty: 25,000 PCS/Reel

Ordering Code:

T12000P***01A

G02: Au 1u"

				TOLERANCE		TITLE:		DRAWN: Shen 2021.10.11		KONNRA 东莞市康瑞电子有限公司	
F		Uniformly arrange the drawings		Shen 2021.10.11		MX1.2 Terminal		CHECKED:		DongGuan Konnra Electronics Co.,Ltd.	
		Change the part number and frame format		TLX 2020.05.09				APPROVED:		PART NO.: T12000P***01A	
MARK		REVISION DESCRIPTION		SIGNATURE		DATE		UNIT:mm SCALE: 1/1 SHEET: 1/1 PROJECTION		REV.: A4 DRAWING NO.: 1200T101-A-S	
1	2	3	4	5	6	7	8	9			