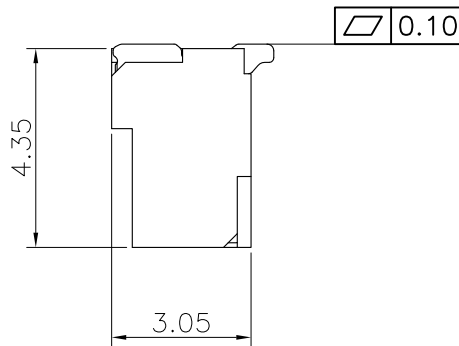
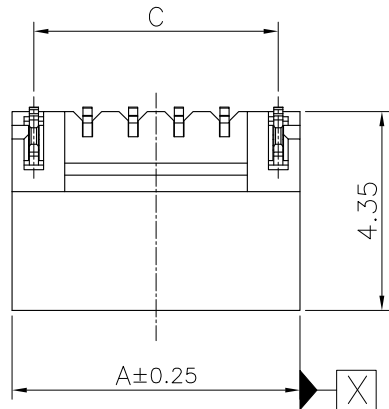


RoHS
COMPLIANT



◆ SPECIFICATIONS

Current rating: 1A AC, DC
Voltage rating: 50V AC,DC
Temperature range: -40°C ~ +105°C
Insulation resistance: 100MΩ Min.
Withstanding voltage: 500V AC/ minute.
Contact resistance: 20m Ω Max.

Material:

Insulator: PA9T UL 94V-0
Contact: Copper alloy
Fitting Nail: Copper alloy

Plating: Matte Tin plated over Nickel

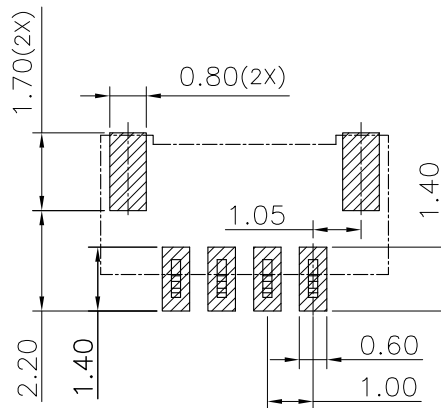
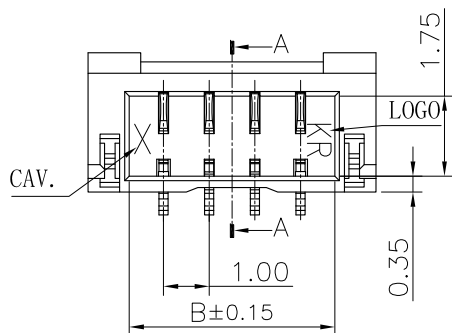
Circuits: 2~20

Mates With KR1005 Series Single Row Housing

Ordering code: C1005VS1**11M0102*A

102=2P
103=3P

R:Reel
P:Bag



Recommended P.C.B. Layout
Total tolerance: ±0.05mm

11P	13.30	11.50	12.35				
10P	12.30	10.50	11.35	20P	22.30	20.50	21.35
9P	11.30	9.50	10.35	19P	21.30	19.50	20.35
8P	10.30	8.50	9.35	18P	20.30	18.50	19.35
7P	9.30	7.50	8.35	17P	19.30	17.50	18.35
6P	8.30	6.50	7.35	16P	18.30	16.50	17.35
5P	7.30	5.50	6.35	15P	17.30	15.50	16.35
4P	6.30	4.50	5.35	14P	16.30	14.50	15.35
3P	5.30	3.50	4.35	13P	15.30	13.50	14.35
2P	4.30	2.50	3.35	12P	14.30	12.50	13.35
PIN	A	B	C	PIN	A	B	C

Dimensions

Dimensions

F	A2	New Drawings	Shen	2021.12.30	TOLERANCE	TITLE: SHU1.0 Have Buckle SMT 180° WF B TYPE	DRAWN: Shen 2021.12.30		KONNRA 东莞市康瑞电子有限公司 DongGuan Konnra Electronics Co.,Ltd.	
					X.X ±0.30		X.XX ±0.20	CHECKED:		
A1					X.XXX ±0.15			APPROVED:	PART NO.: C1005VS1**11M0102*A	
MARK	REVISION DESCRIPTION	SIGNATURE	DATE	Angle ±2°	UNIT:mm	SCALE:1/1	SHEET:1/1	PROJECTION	REV.:A1	DRAWING NO.:1005WVFS02-A-S