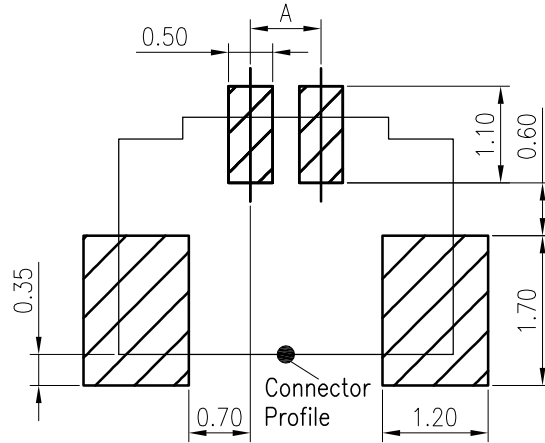
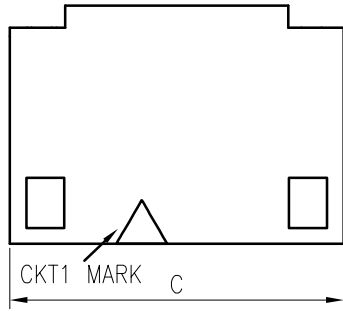


**RoHS**  
COMPLIANT



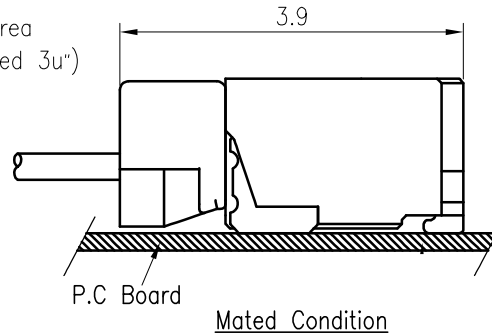
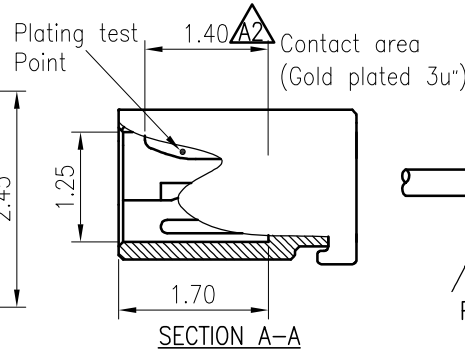
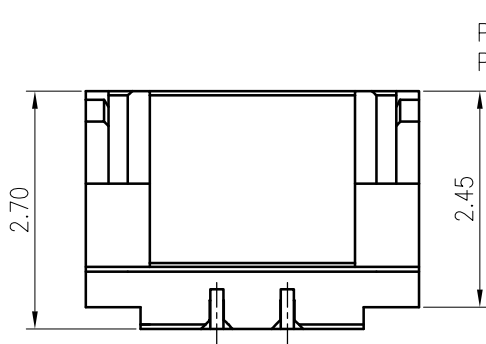
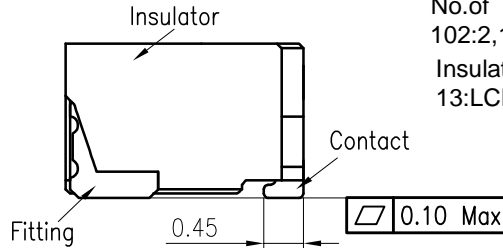
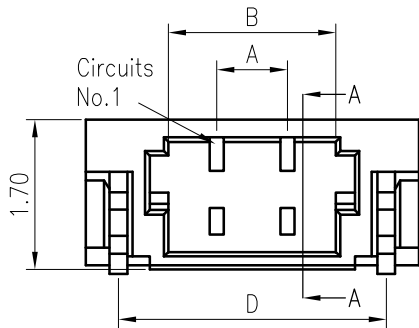
Recommended P.C.B. Layout  
Total tolerance: ±0.05mm

C0800RS \*\*\* 13 G01 01RA

No. of Circuits 102:2,120:20  
Insulator Material 13:LCP Natural

Plating  
G01:Gold flash  
B03:Selective gold plated 3u"

Circuits	Dimensions			
	A	B	C	D
02	0.80	1.90	3.78	3.04
03	1.60	2.70	4.58	3.84
04	2.40	3.50	5.38	4.64
05	3.20	4.30	6.18	5.44
06	4.00	5.10	6.98	6.24
07	4.80	5.90	7.78	7.04
08	5.60	6.70	8.58	7.84
09	6.40	7.50	9.38	8.64
10	7.20	8.30	10.18	9.44
11	8.00	9.10	10.98	10.24
12	8.80	9.90	11.78	11.04
13	9.60	10.70	12.58	11.84
14	10.40	11.50	13.38	12.64
15	11.20	12.30	14.18	13.44
16	12.00	13.10	14.98	14.24
17	12.80	13.90	15.78	15.04
18	13.60	14.70	16.58	15.84
19	14.40	15.50	17.38	16.64
20	15.20	16.30	18.18	17.44



△3

△4

△3

△2

MARK

TOLERANCE

X. X ±0.30  
X. XX ±0.20  
X. XXX ±0.10  
Angle ±2°

TITLE:  
SURO. 8 SMT 90°  
Wafer

UNIT: mm

SCALE: N/A

DRAWN: Arvin 2020.03.30

CHECKED:

APPROVED:

SHEET: 1/1

PROJECTION

**KONNRA** 东莞市康瑞电子有限公司  
DongGuan Konnra Electronics Co., Ltd.

PART NO. : C0800RS\*\*\*13G0101RA

REV. : A4 DRAWING NO. : 0800WRS101-A-S

1

2

3

4

5

6

7

8

9